

THE METAL SHOP

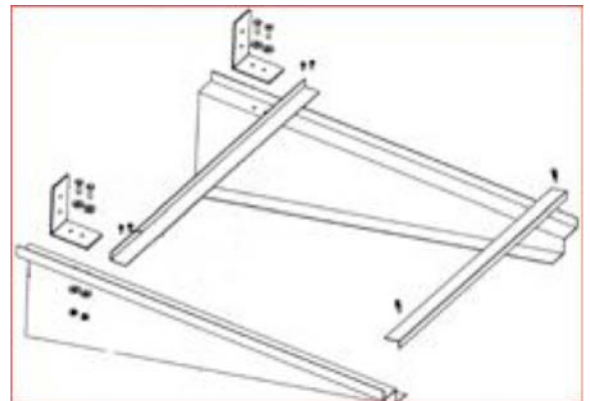
Engineered Hurricane Air Brace



Look for
Our Label
for
Engineering

PART NO.#	DESCRIPTION
002-600	36" x 30" Wide*
002-605	45" x 36" Wide*
002-610	55" x 48" Wide*

* May be field cut to size
as small as 20" Wide



ALSO Available in Stainless Steel