

# EVAPORATOR COILS CASED, MULTIPosition R-410A SYSTEMS 1- 1/2 - 5 Tons



Use of the AHRI Certified TM Mark indicates a manufacturer's participation in the program. For verification of certification for individual products, go to www.ahridirectory.org .



ISO 9001  
OMI-SAI Global



## EcoTemp

# WLAM

MODEL NUMBER	TONS	FLUSH FIT TO FURNACE WIDTH inches (mm)	COIL CONNECTION TUBE SIZE inches (mm)	
			Liquid	Suction
WLAM184AA	1 - 1/2	14 - 3/16 (360)	3/8 (10)	5/8 (16)
WLAM194BA	1 - 1/2	17 - 1/2 (445)	3/8 (10)	3/4 (19)
WLAM244AA	2	14 - 3/16 (360)	3/8 (10)	5/8 (16)
WLAM244BA	2	17 - 1/2 (445)	3/8 (10)	5/8 (16)
WLAM254BA	2	17 - 1/2 (445)	3/8 (10)	3/4 (19)
WLAM304AA	2- 1/2	14 - 3/16 (360)	3/8 (10)	3/4 (19)
WLAM304BA	2- 1/2	17 - 1/2 (445)	3/8 (10)	3/4 (19)
WLAM364BA	3	17 - 1/2 (445)	3/8 (10)	3/4 (19)
WLAM374BA	3	17 - 1/2 (445)	3/8 (10)	3/4 (19)
WLAM374CA	3	21 (533)	3/8 (10)	7/8 (22)
WLAM424CA	3- 1/2	21 (533)	3/8 (10)	7/8 (22)
WLAM434CA	3- 1/2	21 (533)	3/8 (10)	7/8 (22)
WLAM484CA	4	21 (533)	3/8 (10)	7/8 (22)
WLAM604CA	5	21 (533)	3/8 (10)	7/8 (22)
WLAM604DA	5	24 - 1/2 (622)	3/8 (10)	7/8 (22)
WLAM614CA	5	21 (533)	3/8 (10)	7/8 (22)
WLAM614DA	5	24 - 1/2 (622)	3/8 (10)	7/8 (22)

### STANDARD FEATURES

- 1- 1/2 thru 5 Tons
- Bolt- on R- 410A TXV metering device factory installed on all models (equalizer tube brazed in)
- TXV and manifold positioned to the side for easier cleaning
- Innovative drain pan design for complete water removal
- 2- piece delta plate for easier removal and cleaning
- Cabinet widths match flush with gas furnaces
- Removable front access panel
- Easy slide- out coil for inspection
- Hemmed flanges for safer handling
- Foil faced insulation
- Non- sweat cabinet, even at extreme conditions
- Cabinets meet or exceed 2% air leakage codes
- Sturdy, 22 gauge, pre- painted steel cabinet
- One or two UV light knock- outs provided on cabinet (depending on size)
- Aluminum main tubing and aluminum fins (copper stubs for field connection)
- Multiposition installation - upflow, downflow, or horizontal

### LIMITED WARRANTY\*

- 5 year parts limited warranty
- With timely registration, an additional 5 year parts limited warranty
- \* For residential applications only. See warranty certificate for complete details and restrictions, including warranty coverage for other applications.

# Product Specifications

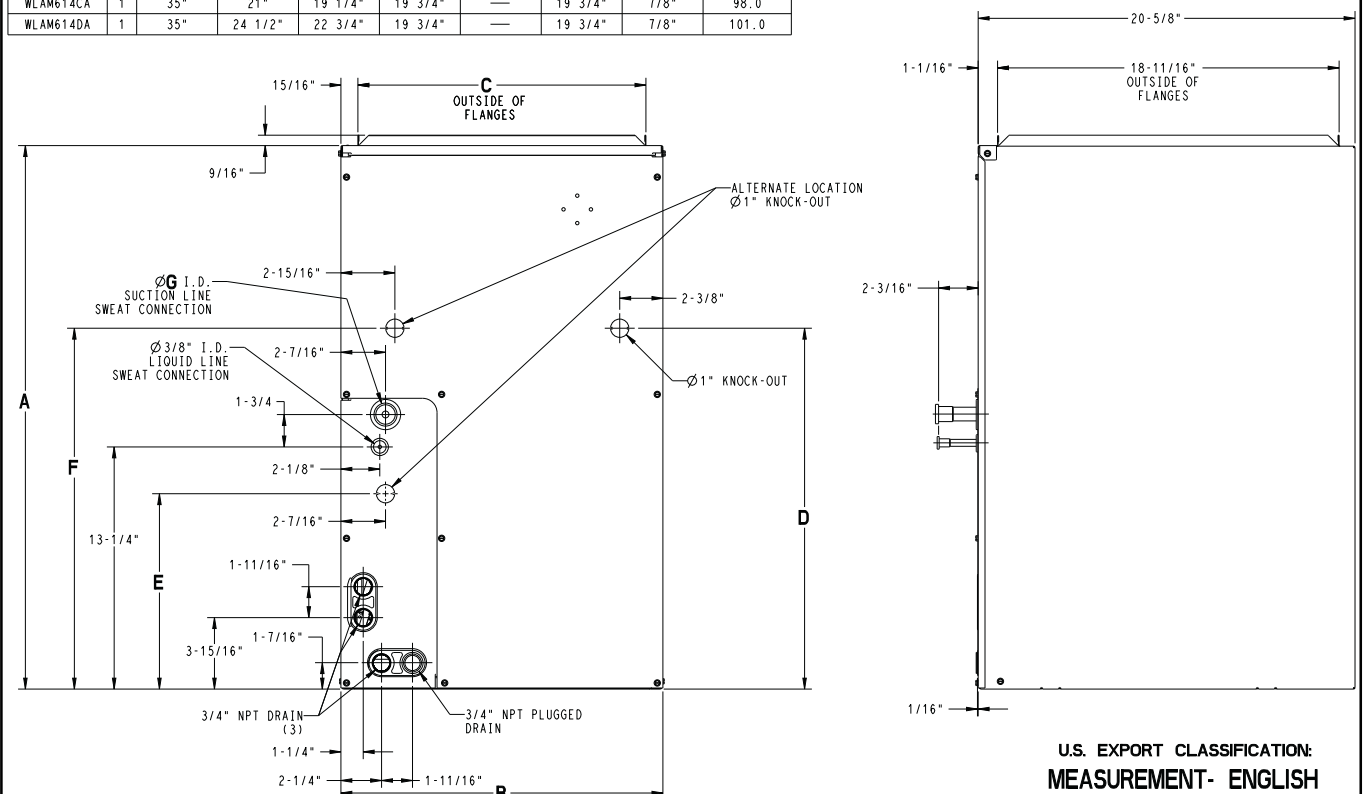
**EVAPORATOR COIL MODEL NUMBER IDENTIFICATION GUIDE**

Digit Position:	1, 2	3	4	5, 6	7	8	9	10
	WL	A	M	25	4	B	A	1
WL = Aluminum Evaporator Coil		TYPE						
A = A coil		INSTALLATION TYPE						
M = Multi-position Cased Upflow/Downflow/Horizontal								
18, 19 = 18,000 BTU/hr = 1-1/2 TONS								
24, 25 = 24,000 BTU/hr = 2 TONS								
36, 37 = 36,000 BTU/hr = 3 TONS								
42, 43 = 42,000 BTU/hr = 3-1/2 TONS								
60, 61 = 60,000 BTU/hr = 5 TONS		NOMINAL COOLING CAPACITY						
4 = R-410A				REFRIGERANT				
A = 14-3/16"								
B = 17-1/2"								
C = 21"								
D = 24-1/2"						CABINET WIDTH		
SALES DIGIT								
EXTRA DIGIT								

**DIMENSIONAL DATA**

UNIT	SERIES	A	B	C	D	E	F	G	SHIPPING WT (LBS)
WLAM184AA	1	25 13/16"	14 3/16"	12 7/16"	17 3/16"	10 11/16"	—	5/8"	50.5
WLAM194BA	1	25 13/16"	17 1/2"	15 3/4"	17 3/16"	—	19 3/4"	3/4"	64.5
WLAM244AA	1	25 13/16"	14 3/16"	12 7/16"	17 3/16"	10 11/16"	—	5/8"	52.5
WLAM244BA	1	25 13/16"	17 1/2"	15 3/4"	10 11/16"	10 11/16"	—	5/8"	56.6
WLAM254BA	1	29 3/4"	17 1/2"	15 3/4"	19 3/4"	—	19 3/4"	3/4"	71.0
WLAM304AA	1	25 13/16"	14 3/16"	12 7/16"	17 3/16"	—	19 3/4"	3/4"	58.0
WLAM304BA	1	25 13/16"	17 1/2"	15 3/4"	17 3/16"	—	19 3/4"	3/4"	64.5
WLAM364BA	1	29 3/4"	14 3/16"	12 7/16"	19 3/4"	—	19 3/4"	3/4"	65.0
WLAM374BA	1	25 13/16"	17 1/2"	15 3/4"	17 3/16"	—	19 3/4"	3/4"	64.5
WLAM374CA	1	29 3/4"	21"	19 1/4"	19 3/4"	—	19 3/4"	7/8"	84.0
WLAM424CA	1	29 3/4"	21"	19 1/4"	19 3/4"	—	19 3/4"	7/8"	78.0
WLAM434CA	1	29 3/4"	21"	19 1/4"	19 3/4"	—	19 3/4"	7/8"	84.0
WLAM484CA	1	29 3/4"	21"	19 1/4"	19 3/4"	—	19 3/4"	7/8"	84.0
WLAM604CA	1	35"	21"	19 1/4"	19 3/4"	—	19 3/4"	7/8"	96.0
WLAM604DA	1	35"	24 1/2"	22 3/4"	19 3/4"	—	19 3/4"	7/8"	101.0
WLAM614CA	1	35"	21"	19 1/4"	19 3/4"	—	19 3/4"	7/8"	98.0
WLAM614DA	1	35"	24 1/2"	22 3/4"	19 3/4"	—	19 3/4"	7/8"	101.0

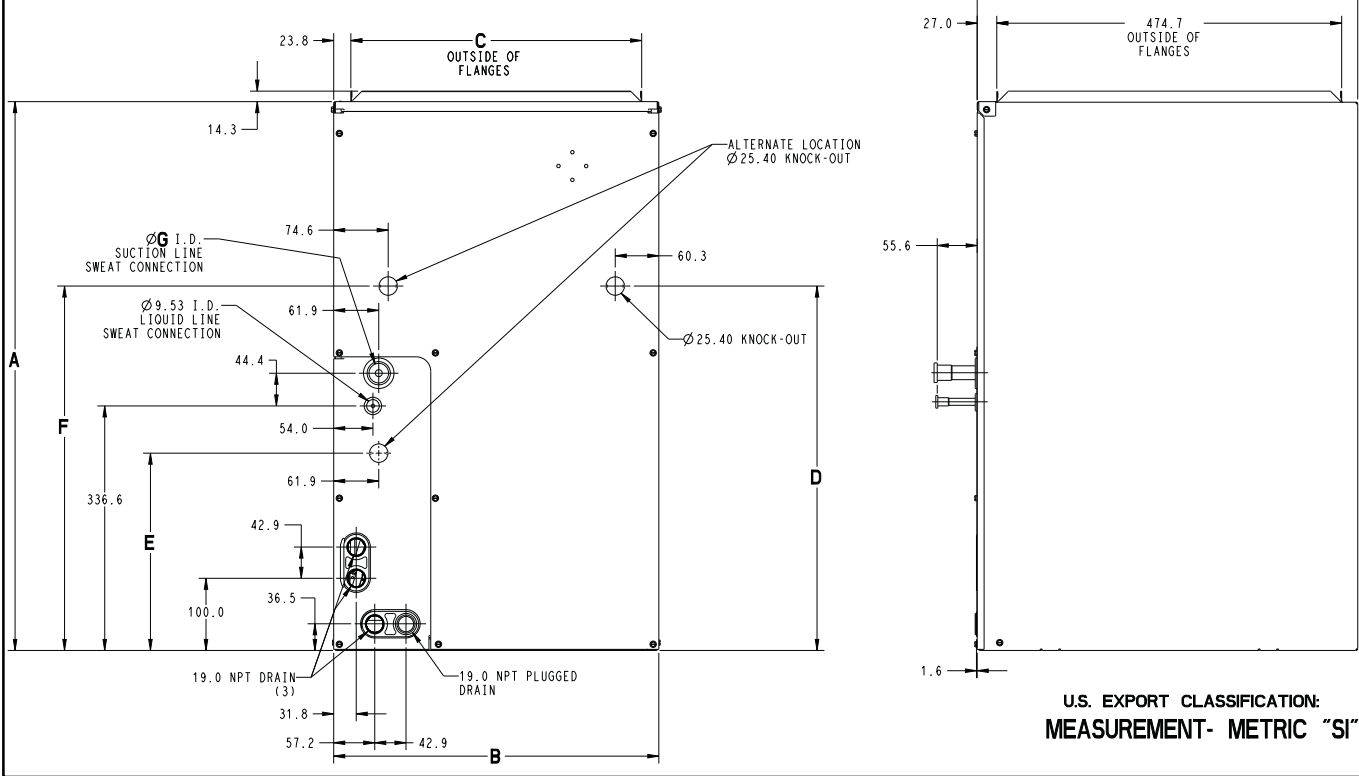
- NOTES:
- SERIES NUMBER IS IN THE LAST POSITION OF THE UNIT MODEL NUMBER.
  - ALL DIMENSIONS ARE IN "INCHES" UNLESS NOTED.



U.S. EXPORT CLASSIFICATION:  
MEASUREMENT- ENGLISH

UNIT	SERIES	A	B	C	D	E	F	G	SHIPPING WT (Kgs)
WLAM184AA	1	655.6	360.4	315.9	436.6	271.5	—	15.88	22.9
WLAM194BA	1	655.6	444.5	400.0	436.6	—	501.6	19.05	29.3
WLAM244AA	1	655.6	360.4	315.9	436.6	271.5	—	15.88	23.8
WLAM244BA	1	655.6	444.5	400.0	271.5	—	—	15.88	25.6
WLAM254BA	1	755.6	444.5	400.0	501.6	—	501.6	19.05	32.2
WLAM304AA	1	655.6	360.4	315.9	436.6	—	501.6	19.05	26.3
WLAM304BA	1	655.6	444.5	400.0	436.6	—	501.6	19.05	29.3
WLAM364BA	1	755.6	444.5	400.0	501.6	—	501.6	19.05	32.2
WLAM374BA	1	655.6	444.5	400.0	436.6	—	501.6	19.05	29.3
WLAM374CA	1	755.6	533.4	489.0	501.6	—	501.6	22.23	38.1
WLAM424CA	1	755.6	533.4	489.0	501.6	—	501.6	22.23	35.4
WLAM434CA	1	755.6	533.4	489.0	501.6	—	501.6	22.23	38.1
WLAM484CA	1	755.6	533.4	489.0	501.6	—	501.6	22.23	38.1
WLAM604CA	1	889.0	533.4	489.0	501.6	—	501.6	22.23	43.5
WLAM604DA	1	889.0	622.3	577.8	501.6	—	501.6	22.23	45.8
WLAM614CA	1	889.0	533.4	489.0	501.6	—	501.6	22.23	44.5
WLAM614DA	1	889.0	622.3	577.8	501.6	—	501.6	22.23	45.8

- NOTES:
- SERIES NUMBER IS IN THE LAST POSITION OF THE UNIT MODEL NUMBER.
  - ALL DIMENSIONS ARE IN "MM" UNLESS NOTED.



SD5260-4 REV D

PERFORMANCE DATA

COOLING CAPACITIES (MBH) - R-410A REFRIGERANT

UNIT SIZE	INDOOR COIL AIR		SATURATED TEMPERATURE LEAVING EVAPORATOR (°F)														
			30			35			40			45			50		
	CFM	EWB	TC	SHC	BF	TC	SHC	BF	TC	SHC	BF	TC	SHC	BF	TC	SHC	BF
184A	450	72 (22)	32.00	15.70	0.00	29.30	14.30	0.00	26.40	12.80	0.00	23.10	11.30	0.00	19.50	9.70	0.01
		67 (19)	26.80	16.10	0.01	24.10	14.60	0.01	21.10	13.10	0.01	17.80	11.50	0.02	14.20	9.90	0.02
		62 (17)	22.10	16.50	0.02	19.30	14.90	0.02	16.40	13.40	0.02	13.20	11.80	0.02	10.30	10.30	0.05
	600	72 (22)	39.20	19.10	0.00	36.00	17.40	0.00	32.30	15.70	0.00	28.30	13.90	0.02	23.80	12.00	0.02
		67 (19)	32.90	19.90	0.03	29.60	18.20	0.03	25.90	16.30	0.03	21.90	14.40	0.03	17.40	12.50	0.03
		62 (17)	27.20	20.60	0.04	23.80	18.80	0.04	20.20	16.90	0.04	16.30	15.00	0.04	13.20	13.20	0.09
	750	72 (22)	45.10	21.90	0.00	41.40	20.10	0.00	37.20	18.20	0.02	32.60	16.10	0.04	27.40	14.00	0.04
		67 (19)	38.00	23.20	0.05	34.20	21.20	0.05	29.90	19.10	0.05	25.20	17.00	0.05	20.00	14.70	0.06
		62 (17)	31.50	24.20	0.06	27.60	22.10	0.06	23.40	20.00	0.06	19.10	17.90	0.06	15.70	15.70	0.13
194B	450	72 (22)	33.57	18.66	0.00	31.02	17.08	0.00	28.19	15.44	0.00	25.03	13.74	0.00	21.50	11.99	0.00
		67 (19)	28.12	18.76	0.00	25.51	17.13	0.00	22.63	15.44	0.00	19.41	13.70	0.00	15.70	11.85	0.00
		62 (17)	23.21	18.82	0.00	20.55	17.14	0.00	17.55	15.38	0.00	14.16	13.53	0.00	10.75	10.75	0.00
	600	72 (22)	42.86	23.54	0.00	39.66	21.61	0.00	36.05	19.58	0.00	32.00	17.44	0.00	27.44	15.21	0.00
		67 (19)	35.94	23.88	0.00	32.64	21.86	0.00	28.94	19.74	0.00	24.78	17.52	0.00	20.12	15.22	0.00
		62 (17)	29.69	24.13	0.00	26.29	22.02	0.00	22.49	19.82	0.00	18.20	17.50	0.00	13.85	13.85	0.00
	750	72 (22)	51.17	27.85	0.00	47.40	25.65	0.00	43.14	23.30	0.00	38.30	20.81	0.00	32.83	18.18	0.00
		67 (19)	42.99	28.53	0.00	39.08	26.19	0.00	34.67	23.71	0.00	29.68	21.10	0.00	24.05	18.35	0.00
		62 (17)	35.55	29.06	0.00	31.51	26.60	0.00	26.96	24.00	0.00	21.89	21.28	0.00	16.92	16.92	0.00

— Continued on next page —

**PERFORMANCE DATA**

**COOLING CAPACITIES (MBH) - R-410A REFRIGERANT**

UNIT SIZE	INDOOR COIL AIR		SATURATED TEMPERATURE LEAVING EVAPORATOR (°F)														
	CFM	EWB	30			35			40			45			50		
			TC	SHC	BF	TC	SHC	BF	TC	SHC	BF	TC	SHC	BF	TC	SHC	BF
244A 244B	600	72 (22)	39.40	19.20	0.00	36.30	17.60	0.00	32.80	15.90	0.00	28.90	14.10	0.00	24.50	12.20	0.01
		67 (19)	33.10	20.00	0.01	29.90	18.20	0.01	26.30	16.40	0.01	22.40	14.50	0.02	17.90	12.60	0.02
		62 (17)	27.40	20.50	0.02	24.10	18.70	0.02	20.50	16.90	0.02	16.60	15.00	0.02	13.10	13.10	0.05
	800	72 (22)	47.70	23.20	0.00	44.00	21.40	0.00	39.80	19.40	0.00	35.10	17.30	0.02	19.80	15.10	0.02
		67 (19)	40.30	24.50	0.03	36.40	22.50	0.03	32.10	20.40	0.03	27.30	18.10	0.03	21.80	15.80	0.03
		62 (17)	33.40	25.50	0.04	29.50	23.40	0.04	25.10	21.20	0.04	20.50	19.00	0.04	16.70	16.70	0.09
	1000	72 (22)	54.30	26.40	0.00	50.20	24.40	0.00	45.40	22.30	0.02	40.10	20.00	0.04	34.00	17.50	0.04
		67 (19)	46.00	28.20	0.05	41.70	26.10	0.05	36.80	23.70	0.05	31.20	21.20	0.05	25.00	18.60	0.05
		62 (17)	38.30	29.80	0.05	33.80	27.50	0.06	28.90	25.10	0.06	23.80	22.60	0.06	19.90	19.90	0.14
254B	600	72 (22)	62.57	31.59	0.00	57.94	29.03	0.00	52.74	26.32	0.00	46.87	23.47	0.00	40.26	20.49	0.00
		67 (19)	52.49	32.04	0.00	47.71	29.35	0.00	42.35	26.53	0.00	36.33	23.57	0.00	29.57	20.49	0.00
		62 (17)	43.37	32.39	0.00	38.45	29.58	0.00	32.95	26.63	0.00	26.73	23.54	0.00	20.26	20.26	0.00
	800	72 (22)	78.59	39.22	0.00	72.92	36.20	0.00	66.47	32.95	0.00	59.11	29.48	0.00	50.76	25.80	0.00
		67 (19)	66.08	40.30	0.00	60.18	37.08	0.00	53.48	33.63	0.00	45.88	29.97	0.00	37.27	26.11	0.00
		62 (17)	54.71	41.16	0.00	48.58	37.74	0.00	41.65	34.10	0.00	33.87	30.28	0.00	26.26	26.26	0.00
	1000	72 (22)	92.27	45.67	0.00	85.78	42.35	0.00	78.32	38.73	0.00	69.75	34.80	0.00	59.94	30.58	0.00
		67 (19)	77.81	47.56	0.00	70.99	43.94	0.00	63.20	40.04	0.00	54.28	35.83	0.00	44.08	31.34	0.00
		62 (17)	64.59	49.11	0.00	57.46	45.22	0.00	49.36	41.05	0.00	40.28	36.63	0.00	31.96	31.96	0.00
304A 304B	750	72 (22)	49.10	24.00	0.00	45.00	21.90	0.00	40.50	19.70	0.00	35.50	17.40	0.00	30.00	15.00	0.01
		67 (19)	41.20	24.80	0.01	37.00	22.50	0.02	32.40	20.20	0.02	27.40	17.80	0.02	21.90	15.30	0.02
		62 (17)	34.00	25.40	0.02	29.70	23.00	0.02	25.10	20.60	0.02	20.30	18.30	0.02	16.00	16.00	0.06
	1000	72 (22)	59.90	29.10	0.00	55.00	26.70	0.00	49.50	24.10	0.00	43.30	21.30	0.02	36.50	18.40	0.03
		67 (19)	50.40	30.50	0.03	45.30	27.90	0.04	39.70	25.10	0.04	33.50	22.20	0.04	26.70	19.20	0.04
		62 (17)	41.70	31.60	0.04	36.50	28.80	0.04	30.90	26.00	0.04	25.00	23.10	0.05	20.30	20.30	0.10
	1250	72 (22)	68.80	33.40	0.00	63.20	30.70	0.00	56.80	27.80	0.03	49.70	24.70	0.04	41.90	21.40	0.05
		67 (19)	58.00	35.40	0.06	52.20	32.40	0.06	45.70	29.30	0.06	38.50	26.00	0.06	30.60	22.60	0.07
		62 (17)	48.00	37.00	0.07	42.10	33.90	0.07	35.70	30.70	0.07	29.20	27.50	0.07	24.20	24.20	0.01
364B	900	72 (22)	60.30	29.40	0.00	55.40	26.90	0.00	49.90	24.30	0.00	43.80	21.50	0.01	37.00	18.60	0.02
		67 (19)	50.70	30.60	0.02	45.70	27.90	0.03	40.10	25.10	0.03	33.90	22.20	0.03	27.00	19.20	0.03
		62 (17)	41.90	31.50	0.03	36.70	28.70	0.03	31.10	25.80	0.03	25.10	22.90	0.04	20.00	20.00	0.08
	1200	72 (22)	72.40	35.10	0.00	66.50	32.30	0.00	59.90	29.30	0.02	52.50	26.00	0.04	44.30	22.60	0.05
		67 (19)	61.00	37.10	0.05	55.00	34.00	0.06	48.20	30.70	0.06	40.70	27.30	0.06	32.40	23.70	0.06
		62 (17)	50.50	38.80	0.06	44.30	35.50	0.06	37.60	32.10	0.06	30.60	28.70	0.07	25.20	25.20	0.13
	1500	72 (22)	82.20	39.90	0.00	75.60	36.90	0.02	68.10	33.50	0.05	59.70	29.90	0.07	50.40	26.10	0.08
		67 (19)	69.40	42.70	0.08	62.60	39.30	0.08	55.00	35.70	0.08	46.40	31.80	0.09	37.00	27.80	0.09
		62 (17)	57.70	45.10	0.09	50.70	41.40	0.09	43.10	37.70	0.09	35.50	34.00	0.10	29.80	29.80	0.18
374B	900	72 (22)	85.28	42.35	0.00	79.12	39.14	0.00	72.10	35.69	0.00	64.07	31.97	0.00	54.91	28.01	0.00
		67 (19)	71.79	43.83	0.00	65.36	40.38	0.00	58.05	36.68	0.00	49.72	32.73	0.00	40.25	28.53	0.00
		62 (17)	59.49	45.02	0.00	52.78	41.34	0.00	45.22	37.41	0.00	36.79	33.30	0.00	29.00	29.00	0.00
	1200	72 (22)	103.16	50.79	0.00	96.02	47.29	0.00	87.71	43.41	0.00	78.05	39.13	0.00	66.94	34.47	0.00
		67 (19)	87.21	53.61	0.00	79.64	49.72	0.00	70.90	45.46	0.00	60.82	40.81	0.00	49.25	35.81	0.00
		62 (17)	72.54	55.95	0.00	64.59	51.72	0.00	55.57	47.16	0.00	45.56	42.32	0.00	37.10	37.10	0.00
	1500	72 (22)	117.25	57.62	0.00	109.35	53.95	0.00	100.10	49.80	0.00	89.30	45.15	0.00	76.74	40.02	0.00
		67 (19)	99.48	61.84	0.00	91.07	57.69	0.00	81.29	53.07	0.00	69.87	47.93	0.00	56.68	42.33	0.00
		62 (17)	83.06	65.49	0.00	74.20	60.91	0.00	64.12	55.91	0.00	53.03	50.53	0.00	44.30	44.30	0.00
374C	900	72 (22)	85.95	42.71	0.00	79.93	39.56	0.00	73.00	36.12	0.00	65.04	32.41	0.00	55.96	28.45	0.00
		67 (19)	72.40	44.18	0.00	66.07	40.77	0.00	58.86	37.09	0.00	50.60	33.15	0.00	41.19	28.96	0.00
		62 (17)	60.05	45.37	0.00	53.44	41.72	0.00	45.92	37.80	0.00	37.44	33.65	0.00	29.27	29.27	0.00
	1200	72 (22)	104.44	51.43	0.00	97.39	47.95	0.00	89.16	44.08	0.00	79.65	39.82	0.00	68.66	35.19	0.00
		67 (19)	88.33	54.23	0.00	80.87	50.38	0.00	72.22	46.13	0.00	62.25	41.51	0.00	50.73	36.50	0.00
		62 (17)	73.55	56.59	0.00	65.68	52.38	0.00	56.68	47.81	0.00	46.52	42.91	0.00	37.58	37.58	0.00
	1500	72 (22)	119.03	58.46	0.00	111.23	54.81	0.00	102.13	50.71	0.00	91.48	46.10	0.00	79.08	41.02	0.00
		67 (19)	101.06	62.72	0.00	92.78	58.61	0.00	83.14	54.04	0.00	71.83	48.94	0.00	58.67	43.32	0.00
		62 (17)	84.48	66.42	0.00	75.74	61.89	0.00	65.66	56.88	0.00	55.00	52.00	0.00	44.30	44.30	0.00
424C	1050	72 (22)	75.00	36.40	0.00	69.30	33.70	0.00	62.60	30.60	0.01	55.10	27.40	0.02	46.90	24.00	0.03
		67 (19)	63.30	38.80	0.03	57.20	35.70	0.03	50.50	32.50	0.03	42.90	29.00	0.04	33.50	25.00	0.04
		62 (17)	52.60	40.80	0.04	46.40	37.60	0.04	39.50	34.10	0.04	32.00	30.40	0.05	26.40	26.40	0.14
	1400	72 (22)	87.10	42.50	0.00	80.60	39.50	0.03	73.00	36.20	0.04	64.20	32.50	0.01	54.40	28.60	0.06
		67 (19)	73.80	46.10	0.06	66.90	42.70	0.06	58.90	39.00	0.07	50.10	35.20	0.07	40.00	30.90	0.07
		62 (17)	61.40	49.30	0.07	54.40	45.70	0.07	46.90	42.10	0.07	39.00	38.10	0.09	33.00	33.00	0.19
	1750	72 (22)	96.50	47.40	0.05	89.50	44.30	0.07	81.30	40.80	0.07	71.70	36.90	0.08	60.50	32.60	0.09
		67 (19)	82.10	52.30	0.09	74.60	48.80	0.09	65.90	44.90	0.09	55.90	40.60	0.09	45.10	36.20	0.10
		62 (17)	68.60	56.80	0.10	61.00	53.10	0.10	52.90	49.10	0.10	44.90	44.90	0.12	38.70	38.70	0.24

— Continued on next page —

See Legend and Notes on Page 5.

**PERFORMANCE DATA (CONT.)**

**COOLING CAPACITIES (MBH) - R-410A REFRIGERANT**

UNIT SIZE	INDOOR COIL AIR		SATURATED TEMPERATURE LEAVING EVAPORATOR (°F)														
			30			35			40			45			50		
	CFM	EWB	TC	SHC	BF	TC	SHC	BF	TC	SHC	BF	TC	SHC	BF	TC	SHC	BF
434C	1050	72 (22)	95.75	47.32	0.00	89.15	43.98	0.00	81.55	40.30	0.00	72.72	36.27	0.00	62.64	31.95	0.00
		67 (19)	80.81	49.43	0.00	73.87	45.77	0.00	65.88	41.78	0.00	56.71	37.46	0.00	46.18	32.83	0.00
		62 (17)	67.16	51.17	0.00	59.87	47.21	0.00	51.54	42.93	0.00	42.14	38.37	0.00	33.49	33.49	0.00
	1400	72 (22)	114.53	56.27	0.00	106.97	52.67	0.00	98.10	48.62	0.00	87.81	44.12	0.00	75.84	39.17	0.00
		67 (19)	97.13	60.04	0.00	89.08	55.99	0.00	79.75	51.52	0.00	68.84	46.55	0.00	56.19	41.13	0.00
		62 (17)	81.09	63.28	0.00	72.60	58.83	0.00	62.86	53.96	0.00	51.93	48.71	0.00	42.81	42.81	0.00
	1750	72 (22)	128.85	63.40	0.00	120.65	59.68	0.00	111.06	55.46	0.00	99.69	50.67	0.00	86.32	45.29	0.00
		67 (19)	109.76	68.90	0.00	101.01	64.69	0.00	90.69	59.91	0.00	78.53	54.53	0.00	64.28	48.54	0.00
		62 (17)	92.05	73.79	0.00	82.77	69.09	0.00	72.04	63.83	0.00	60.16	58.07	0.00	51.02	51.02	0.00
484C	1200	72 (22)	83.40	40.60	0.00	76.70	37.20	0.00	69.30	33.60	0.00	60.90	29.80	0.01	51.70	25.80	0.02
		67 (19)	70.10	42.30	0.02	63.20	38.60	0.03	55.60	34.80	0.03	47.20	30.80	0.04	37.80	26.60	0.04
		62 (17)	57.90	43.50	0.04	50.90	39.70	0.04	43.20	35.70	0.04	34.90	31.70	0.04	27.70	27.70	0.08
	1600	72 (22)	100.80	48.90	0.00	92.80	45.10	0.00	83.80	40.90	0.01	73.80	36.40	0.04	62.50	31.70	0.05
		67 (19)	84.90	51.70	0.05	76.70	47.40	0.06	67.50	42.90	0.06	57.30	38.10	0.06	45.90	33.20	0.06
		62 (17)	70.40	53.90	0.06	62.00	49.30	0.06	52.60	44.60	0.07	42.80	39.90	0.07	35.00	35.00	0.01
	2000	72 (22)	114.70	55.70	0.00	105.70	51.60	0.00	95.60	47.00	0.05	84.20	42.00	0.07	71.40	36.70	0.08
		67 (19)	97.00	59.50	0.08	87.70	54.90	0.08	77.30	49.90	0.09	65.60	44.60	0.09	52.50	39.00	0.09
		62 (17)	80.60	62.80	0.09	71.00	57.70	0.09	60.50	52.50	0.09	49.60	47.20	0.10	41.30	41.30	0.18
604C 604D	1600	72 (22)	109.20	53.40	0.00	100.00	48.60	0.00	89.90	43.60	0.00	78.60	38.50	0.00	66.40	33.10	0.02
		67 (19)	91.50	55.10	0.02	82.10	50.00	0.03	71.90	44.80	0.03	60.70	39.40	0.03	48.40	34.00	0.03
		62 (17)	75.40	56.30	0.03	65.90	51.00	0.03	55.60	45.70	0.04	44.80	40.40	0.04	35.30	35.30	0.07
	2000	72 (22)	128.00	62.52	0.00	117.20	56.90	0.00	105.20	51.20	0.00	92.00	45.20	0.02	77.50	39.10	0.04
		67 (19)	107.40	64.90	0.04	96.40	59.10	0.04	84.30	53.00	0.05	71.10	46.80	0.05	56.60	40.50	0.05
		62 (17)	88.60	66.90	0.05	77.50	60.80	0.05	65.30	54.60	0.05	52.70	48.50	0.06	42.40	42.40	0.11
	2400	72 (22)	144.20	70.00	0.00	132.10	64.20	0.00	118.50	57.90	0.01	103.60	51.20	0.04	87.20	44.30	0.06
		67 (19)	121.20	73.60	0.06	108.80	67.20	0.06	95.10	60.40	0.07	80.10	53.50	0.07	63.70	46.40	0.07
		62 (17)	100.10	76.40	0.07	87.50	69.60	0.07	73.80	62.70	0.07	59.80	56.00	0.08	48.90	48.90	0.14
614C 614D	1600	72 (22)	133.10	65.29	0.00	124.38	61.09	0.00	114.12	56.35	0.00	102.04	51.04	0.00	87.92	45.18	0.00
		67 (19)	112.92	69.55	0.00	103.56	64.81	0.00	92.62	59.52	0.00	79.80	53.65	0.00	64.92	47.24	0.00
		62 (17)	94.29	73.16	0.00	84.32	67.90	0.00	72.85	62.14	0.00	59.93	55.91	0.00	48.98	48.98	0.00
	2000	72 (22)	150.19	73.70	0.00	140.73	69.39	0.00	129.45	64.43	0.00	116.13	58.76	0.00	100.38	52.39	0.00
		67 (19)	127.98	79.99	0.00	117.77	75.03	0.00	105.67	69.38	0.00	91.36	63.01	0.00	74.55	55.91	0.00
		62 (17)	107.36	85.50	0.00	96.47	79.93	0.00	83.81	73.69	0.00	69.74	66.88	0.00	58.70	58.70	0.00
	2400	72 (22)	163.45	80.69	0.00	153.55	76.31	0.00	141.65	71.22	0.00	127.40	65.35	0.00	110.42	58.64	0.00
		67 (19)	139.86	88.99	0.00	129.06	83.92	0.00	116.15	78.06	0.00	100.72	71.35	0.00	82.51	63.78	0.00
		62 (17)	117.85	96.47	0.00	106.33	90.72	0.00	92.96	84.20	0.00	78.33	76.91	0.00	67.38	67.38	0.00

See Legend and Notes.

**Legend:**

CFM - Cubic Ft. per Minute      EWB - Entering Wet Bulb (°F)      LWB - Leaving Wet Bulb (°F)      TC - Gross Cooling Capacity 1000 Btuh  
 SHC - Gross Sensible Capacity 1000 Btuh      BF - Bypass Factor      MBH - 1000 Btuh

**NOTES:**

- Contact manufacturer for cooling capacities at conditions other than shown in table.
- Formulas:  
 Leaving db = entering db -  $\frac{\text{sensible heat cap.}}{1.09 \times \text{CFM}}$   
 Leaving wb = wb corresponding to enthalpy of air leaving coil (h<sub>LWB</sub>)  

$$h_{LWB} = h_{EWB} - \frac{\text{total capacity (Btuh)}}{4.5 \times \text{CFM}}$$
 Where h<sub>EWB</sub> = enthalpy of air entering coil
- SHC is based on 80°F db temperature of air entering the evaporator coil.  
 Below 80°F db, subtract (Correction Factor x CFM) from SHC.  
 Above 80°F db, add (Correction Factor x CFM) to SHC.
- Direct interpolation is permissible. Do not extrapolate.
- Fan motor heat has not been deducted.
- All data points are based on 10°F superheat leaving coil and use of thermostatic expansion valve (TXV) device.
- All units have sweat suction-tube connection and a liquid-tube connection. For 1-1/8 in. system suction tube, 3/4 x 1-1/8 in. suction tube connection adapter is available as accessory.
- The coils can be used in any properly designed system using Refrigerant R-410A.
- Before using maximum cfm shown in table, check coil static pressure drop to ensure system blower can provide necessary static pressure needed for coil and duct systems.
- Bypass Factor = 0 indicates no psychrometric solution. Use bypass factor of next lower EWB for approximation.

BYPASS FACTOR	ENTERING AIR DRY BULB TEMPERATURE (°F)					
	79	78	77	76	75	Under 75
	81	82	83	84	84	Above 85
	<b>Correction Factor</b>					
0.10	0.98	1.96	2.94	3.92	4.91	Use formula shown below
0.20	0.87	1.74	2.62	3.49	4.36	
0.30	0.76	1.53	2.29	3.05	3.82	

Interpolation is permissible.

Correction Factor = 1.09 x (1 - BF) x (db - 80)

COIL STATIC PRESSURE DROP (in. w.c.) R-410A

UNIT SIZE	STANDARD CFM																			
	400	500	600	700	800	900	1000	1100	1200	1300	1400	1500	1600	1700	1800	1900	2000	2100	2200	
184A	Dry																			
	0.079	0.111	0.145	0.186	0.232															
	Wet																			
1917	0.083	0.116	0.151	0.196	0.243															
	Dry																			
	0.077	0.099	0.124	0.152	0.182															
244A	Wet																			
	0.088	0.113	0.137	0.170	0.209															
	Dry																			
244B	0.065	0.091	0.120	0.154	0.194	0.237	0.284													
	Wet																			
	0.066	0.094	0.124	0.161	0.203	0.250	0.301													
2517	Dry																			
	0.056	0.076	0.097	0.123	0.151	0.182	0.215													
	Wet																			
304A	0.060	0.082	0.105	0.132	0.163	0.195	0.231													
	Dry																			
	0.069	0.090	0.111	0.136	0.165	0.193	0.227													
304B	Wet																			
	0.071	0.090	0.113	0.136	0.164	0.196	0.229													
	Dry																			
364B	0.054	0.077	0.102	0.133	0.167	0.206	0.248	0.296	0.347											
	Wet																			
	0.059	0.084	0.111	0.142	0.181	0.223	0.269	0.319	0.375											
374B	Dry																			
	0.043	0.059	0.077	0.096	0.119	0.144	0.171	0.201	0.232											
	Wet																			
374C	0.046	0.063	0.083	0.105	0.130	0.157	0.186	0.219	0.252											
	Dry																			
	0.023	0.036	0.052	0.069	0.089	0.110	0.135	0.160	0.189	0.219	0.251									
424C	Wet																			
	0.042	0.058	0.076	0.095	0.117	0.142	0.169	0.198	0.231	0.265	0.299									
	Dry																			
434C	0.077	0.099	0.124	0.152	0.182	0.216	0.253	0.294	0.338											
	Wet																			
	0.088	0.113	0.137	0.170	0.209	0.247	0.287	0.326	0.368											
604C	Dry																			
			0.059	0.073	0.090	0.111	0.135	0.162	0.191	0.222	0.254									
	Wet																			
604D			0.073	0.096	0.120	0.147	0.176	0.207	0.240	0.276	0.314									
	Dry																			
			0.044	0.056	0.068	0.082	0.099	0.119	0.138	0.161	0.183	0.205	0.233							
614C	Wet																			
			0.058	0.073	0.089	0.106	0.125	0.143	0.165	0.189	0.213	0.239	0.268							
	Dry																			
614D			0.059	0.073	0.090	0.111	0.135	0.162	0.191	0.222	0.254	0.288	0.323							
	Wet																			
			0.073	0.096	0.120	0.147	0.176	0.207	0.240	0.276	0.314	0.354	0.396							
614E	Dry																			
			0.055	0.072	0.089	0.107	0.128	0.150	0.175	0.199	0.228	0.257	0.288	0.321	0.356					
	Wet																			
614F			0.058	0.075	0.094	0.115	0.136	0.161	0.188	0.217	0.247	0.279	0.313	0.347	0.386					
	Dry																			
						0.075	0.093	0.112	0.133	0.157	0.181	0.206	0.234	0.264	0.294	0.326	0.360	0.396	0.432	0.478
614G	Wet																			
						0.077	0.095	0.115	0.137	0.159	0.184	0.209	0.238	0.268	0.300	0.334	0.370	0.407	0.444	0.488
	Dry																			
614H						0.073	0.083	0.095	0.107	0.120	0.136	0.152	0.169	0.184	0.203	0.217	0.238	0.260	0.283	0.307
	Wet																			
						0.076	0.086	0.098	0.110	0.124	0.140	0.157	0.175	0.193	0.215	0.238	0.261	0.286	0.314	0.342
614I	Dry																			
						0.111	0.133	0.153	0.163	0.204	0.234	0.262	0.293	0.326	0.366	0.392	0.437	0.480	0.520	
	Wet																			
614J						0.130	0.150	0.183	0.210	0.245	0.280	0.320	0.355	0.400	0.435	0.480	0.525	0.570	0.630	
	Dry																			
						0.099	0.113	0.127	0.144	0.162	0.182	0.203	0.227	0.252	0.279	0.307	0.337	0.369	0.403	
614K	Wet																			
						0.118	0.140	0.163	0.187	0.213	0.239	0.266	0.295	0.325	0.355	0.387	0.420	0.454	0.489	
	Dry																			