

80% AFUE GAS FURNACE

Multipoise Design

GRANDAIRE[®]
Heating & Cooling Products



Use of the AHRI Certified TM Mark indicates a manufacturer's participation in the program. For verification of certification for individual products, go to www.ahrirectory.org.



ISO 9001
Quality



WFEL, WFER

UPFLOW/DOWNFLOW/HORIZONTAL (NATURAL GAS)

Model Number	Heat Exchanger Warranty	Input (BTUH)	Efficiency AFUE	Cooling Capacity @ .5 in wc
WFE(L,R)045A036	20 year	44,000	80.0	3.0
WFE(L,R)045B036	20 year	44,000	80.0	3.0
WFE(L,R)070A036	20 year	66,000	80.0	3.0
WFE(L,R)070B036	20 year	66,000	80.0	3.0
WFE(L,R)070C048	20 year	66,000	80.0	4.0
WFE(L,R)090B042	20 year	88,000	80.0	3.5
WFE(L,R)090C048	20 year	88,000	80.0	4.0
WFE(L,R)090C060	20 year	88,000	80.0	5.0
WFE(L,R)090D060	20 year	88,000	80.0	5.0
WFE(L,R)110C060	20 year	110,000	80.0	5.0
WFE(L,R)110D060	20 year	110,000	80.0	5.0
WFE(L,R)135D060	20 year	132,000	80.0	5.0

STANDARD FEATURES

- Four-position furnace: upflow, horizontal right, horizontal left, downflow
- Electronic control center
- Adjustable heating air temperature rise, LED diagnostics and self test feature
- Hot Surface Ignition (HSI)
- Select sizes approved for twinning, refer to accessory kit listing
- WFEL - Can be installed in air quality management districts with a 40 ng/J NOx emissions limit.
- Cabinet air leakage less than 2.0% at 1.0 in. w.c. and cabinet air leakage less than 1.4% at 0.5 in. w.c. when tested in accordance with ASHRAE standard 193

LIMITED WARRANTY*

- 1 year unit replacement limited warranty
- 20 year heat exchanger limited warranty
- 5 years parts limited warranty
 - With timely registration, an additional 5 years parts limited warranty

* For residential applications only. See warranty certificate for complete details and restrictions, including warranty coverage for other applications.

Product Specifications

NOMENCLATURE IDENTIFICATION GUIDE

DIGIT POSITION	1, 2	3	4	5, 6, 7	8	9, 10, 11	12	13
	WF	E	L	045	A	024	B	1
WF = Gas Furnace								
E, M = Mid	EFFICIENCY							
L = Low NOx R = Standard			FEATURE					
045 = 44,000 070 = 66,000 090 = 88,000 110 = 110,000 135 = 132,000				HEATING INPUT, MBTUH				
A = 14½" B = 17½" C = 21" D = 24½"					CABINET WIDTH, Inches			
24 = 24,000 BTU/hr, 2 Ton 30 = 30,000 BTU/hr, 2½ Ton 36 = 36,000 BTU/hr, 3 Ton 48 = 48,000 BTU/hr, 4 Ton 54 = 54,000 BTU/hr, 4.5 Ton 60 = 60,000 BTU/hr, 5 Ton						COOLING SIZE		
SALES DIGIT								
EXTRA DIGIT								

MINIMUM CLEARANCES TO COMBUSTIBLE MATERIALS FOR ALL UNITS

This forced air furnace is equipped for use with natural gas at altitudes 0 - 10,000 ft (0 - 3,050 m).

An accessory kit, supplied by the manufacturer, shall be used to convert to propane gas use or may be required for some natural gas applications.

This furnace is for indoor installation in a building constructed on site.

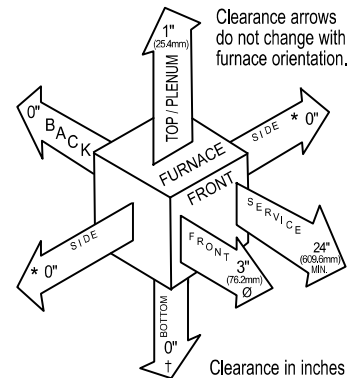
The furnace may be installed on combustible flooring in alcove or closet at minimum clearance as indicated by the diagram from combustible material.

This furnace may be used with a Type B-1 Vent and may be vented in common with other gas fired appliances.

This furnace is approved for UPFLOW, DOWNFLOW, and HORIZONTAL installations.

Downflow Positions:

- † Installation on non-combustible floors only.
For Installation on combustible flooring only when installed on special base or coil assembly.
- ∅ 18 inch front clearance required for alcove.
- * Indicate supply or return sides when furnace is in the horizontal position. Line contact only permissible between lines formed by intersections of the Top and two Sides of the furnace jacket, and building joists, studs or framing.



Vent Clearance to combustibles:

- For Single Wall vents 6 inches (6 po).
- For Type B-1 vent type 1 inch (1 po).

PHYSICAL DATA							
UNIT SIZE		045A036	045B036	070A036	070B036	070C048	090B042
RATINGS AND PERFORMANCE							
Input Btuh*	All Standard All Low NOx Upflow	44,000	44,000	66,000	66,000	66,000	88,000
Nonweatherized ICS	All Low Nox Downflow/Horizontal	42,000	42,000	63,000	63,000	63,000	84,000
Output Capacity (Btuh)†	All Standard All Low NOx Upflow	36,000	35,000	54,000	54,000	53,000	71,000
Nonweatherized ICS	All Low Nox Downflow/Horizontal	34,000	34,000	51,000	51,000	51,000	68,000
AFUE‡		80.00	80.00	80.00	80.00	80.00	80.00
Certified Temperature Rise Range – °F (°C)		30–60 (17–33)	30–60 (17–33)	30–60 (17–33)	35–65 (19–36)	25–55 (14–30)	40–70 (22–39)
Certified External Static Pressure	Heat/Cool	0.10/0.50	0.10/0.50	0.12/0.50	0.12/0.50	0.12/0.50	0.15/0.50
Airflow CFM‡	Heating	710	760	1090	985	1305	1203
	Cooling	1080	1215	1070	1005	1545	1210
ELECTRICAL							
Unit Volts–Hertz–Phase		115–60–1					
Operating Voltage Range	Min–Max	104–127					
Maximum Unit Amps		5.6	7.6	5.6	5.6	10.0	8.3
Unit Ampacity		7.8	10.3	7.8	7.8	13.3	11.0
Maximum Wire Length (Measure 1 Way in Ft (M))		47 (14.3)	36 (11)	47 (14.3)	47 (14.3)	27 (8.2)	33 (10.1)
Minimum Wire Size		14					
Maximum Fuse or Ckt Bkr Size (Amps)**		15					
Transformer (24v)		40va					
External Control	Heating	12va					
Power Available	Cooling	35va					
Air Conditioning Blower Relay		Standard					
CONTROLS							
Heating Blower Control		Solid State Time Operation					
Burners (Monoport)		2	2	3	3	3	4
Gas Connection Size		1/2in. NPT					
GAS CONTROLS							
Gas Valve (Redundant)	Mfr.	WhiteRodgers					
	Min. inlet pressure (In. W.C.)	4.5 (Natural Gas)					
	Max. inlet pressure (In. W.C.)	13.6 (Natural Gas)					
Ignition Device		Hot Surface					
Factory installed orifice		Size 43					
BLOWER DATA							
Direct Drive Motor HP		1/3	1/2	1/3	1/3	3/4	1/2
Motor Full Load Amps		4.4	6.4	4.4	4.4	8.8	6.8
RPM (Nominal)Speeds		1050–5	1050–5	1050–5	1050–5	1050–5	1050–5
Blower Wheel Diameter x Width – In. (mm)		10 x 6 (254 x 152)	10 x 8 (254 x 203)	11 x 8 (279 x 203)	11 x 8 (279 x 203)	10 x 10 (254 x 254)	11 x 8 (279 x 203)

* Gas input ratings are certified for elevations to 2000 ft. (610 M). In USA, For elevations above 2000 ft (610 M), reduce ratings 4 percent for each 1000 ft (305 M) above sea level. Refer to National Fuel Gas Code NFPA 54/ANSI Z223.1 Table F.4 or furnace installation instructions.

† Capacity in accordance with U.S. Government DOE test procedures.

‡ Airflow shown is for bottom only return-air supply for the as-shipped speed tap. For air delivery above 1800 CFM, see Air Delivery table for other options. A filter is required for each return-air supply. An airflow reduction of up to 7 percent may occur when using the factory-specified 4-5/16–in. (110 mm) wide, high efficiency media filter.

** Time–delay type is recommended.

ICS Isolated Combustion System

PHYSICAL DATA							
UNIT SIZE		090C048	090C060	090D060	110C060	110D060	135D060
RATINGS AND PERFORMANCE							
Input Btuh*	All Standard All Low NOx Upflow	88,000	88,000	88,000	110,000	110,000	132,000
Nonweatherized ICS	All Low Nox Downflow/Horizontal	84,000	84,000	84,000	105,000	105,000	126,000
Output Capacity (Btuh)†	All Standard All Low NOx Upflow	72,000	71,000	72,000	90,000	90,000	107,000
Nonweatherized ICS	All Low Nox Downflow/Horizontal	68,000	68,000	69,000	85,000	86,000	102,000
AFUE‡		80.00	80.00	80.00	80.00	80.00	80.00
Certified Temperature Rise Range °F (°C)		35–65 (19–36)	25–55 (14–30)	30–60 (17–33)	30–60 (17–33)	30–60 (17–33)	40–70 (22–39)
Certified External Static Pressure	Heat/Cool	0.15/0.50	0.15/0.50	0.15/0.50	0.20/0.50	0.20/0.80	0.20/0.50
Airflow CFM‡	Heating	1418	1650	1565	1890	1930	1760
	Cooling	1445	1980	1960	2040	2005	1810
ELECTRICAL							
Unit Volts–Hertz–Phase		115–60–1					
Operating Voltage Range	Min–Max	104–127					
Maximum Unit Amps		8.3	13	10.3	13.4	10.7	10.7
Unit Ampacity		11	16.90	13.50	17.40	14	14
Maximum Wire Length (Measure 1 Way in Ft (M))		33 (10.1)	34 (10.4)	27 (8.2)	33 (10.1)	26 (7.9)	26 (7.9)
Minimum Wire Size		14	12	14	12	14	14
Maximum Fuse or Ckt Bkr Size (Amps)**		15	20	15	20	15	15
Transformer (24v)		40va					
External Control	Heating	12va					
Power Available	Cooling	35va					
Air Conditioning Blower Relay		Standard					
CONTROLS							
Heating Blower Control		Solid State Time Operation					
Burners (Monoport)		4	4	4	5	5	6
Gas Connection Size		1/2in. NPT					
GAS CONTROLS							
Gas Valve (Redundant)	Mfr.	WhiteRodgers					
	Min. inlet pressure (In. W.C.)	4.5 (Natural Gas)					
	Max. inlet pressure (In. W.C.)	13.6 (Natural Gas)					
Ignition Device		Hot Surface					
Factory installed orifice		Size 43					
BLOWER DATA							
Direct Drive Motor HP		1/2	1	3/4	1	3/4	3/4
Motor Full Load Amps		6.80	11.50	8.80	11.50	8.80	8.80
RPM (Nominal)Speeds		1050–5	1050–5	1050–5	1050–5	1050–5	1050–5
Blower Wheel Diameter x Width – In. (mm)		10 x 10 (254 x 254)	11 x 11 (279 x 279)	11 x 11 (279 x 279)	11 x 11 (279 x 279)	11 x 11 (279 x 279)	11 x 11 (279 x 279)

* Gas input ratings are certified for elevations to 2000 ft. (610 M). In USA, for elevations above 2000 ft. (610 M), reduce ratings 4 percent for each 1000 ft. (305 M) above sea level. Refer to National Fuel Gas Code NFPA 54/ANSI Z223.1 Table F.4 or furnace installation instructions.

† Capacity in accordance with U.S. Government DOE test procedures.

‡ Airflow shown is for bottom only return-air supply for the as-shipped speed tap. For air delivery above 1800 CFM, see Air Delivery table for other options. A filter is required for each return-air supply. An airflow reduction of up to 7 percent may occur when using the factory-specified 4-5/16-in. (110 mm) wide, high efficiency media filter.

** Time–delay type is recommended.

ICS Isolated Combustion System

AIR DELIVERY - CFM (WITH FILTER*)

Furnace	Wire Lead Color	Function	Test Airflow Delivery @ Various External Static Pressures									
			0.1	0.2	0.3	0.4	0.5	0.6	0.7	0.8	0.9	1
045A036	Gray	Cooling. Do not use for heating.	1230	1190	1155	1120	1080	1045	1010	975	935	895
	Yellow	Alt Cooling or alt Heating	980	945	920	890	855	815	770	735	690	645
	Orange	Alt Cooling or alt Heating	770	720	685	640	600	560	520	475	430	385
	Blue	Heating or alt Cooling	710	660	620	580	540	490	455	415	375	335
	Red	Alt Cooling. Do not use for heating.	600	540	500	455	415	385	345	305	235	—
045B036	Gray	Cooling. Do not use for heating.	1370	1335	1295	1255	1215	1175	1135	1095	1055	1020
	Yellow	Alt Cooling or alt Heating	1130	1085	1040	995	955	910	865	825	780	730
	Orange	Alt Cooling or alt Heating	930	885	835	795	745	700	655	600	545	495
	Blue	Heating or alt Cooling	760	720	670	625	580	515	460	410	355	300
	Red	Alt Cooling. Do not use for heating.	610	500	445	375	320	260	200	135	—	—
070A036	Gray	Cooling. Do not use for heating.	1205	1170	1143	1105	1070	1035	1000	960	925	885
	Blue	Heating or alt Cooling	1095	1060	1030	995	960	925	885	840	800	735
	Yellow	Alt Cooling or alt Heating	920	880	845	805	765	730	685	620	560	510
	Orange	Alt Cooling. Do not use for heating.	715	650	610	575	520	465	410	380	305	245
	Red	Alt Cooling. Do not use for heating.	635	490	445	375	315	270	205	230	190	140
070B036	Gray	Cooling. Do not use for heating.	1185	1140	1095	1055	1005	960	915	865	820	780
	Yellow	Alt Cooling or alt Heating	1000	940	895	850	800	750	695	650	600	555
	Blue	Heating or alt Cooling	990	935	895	845	790	740	690	640	590	535
	Orange	Alt Cooling or alt Heating	855	775	720	660	605	560	495	435	385	335
	Red	Alt Cooling. Do not use for heating.	860	685	515	445	385	340	275	205	—	—
070C048	Gray	Cooling. Do not use for heating.	1735	1685	1640	1595	1545	1495	1450	1405	1360	1310
	Yellow	Alt Cooling or alt Heating	1480	1435	1395	1340	1290	1240	1190	1135	1085	1030
	Blue	Heating or alt Cooling	1315	1275	1225	1180	1135	1085	1030	975	915	860
	Orange	Alt Cooling or alt Heating	1135	1080	1030	985	935	885	835	770	705	645
	Red	Alt Cooling. Do not use for heating.	980	930	875	820	775	715	665	595	530	455
090B042	Gray	Cooling. Do not use for heating.	1355	1320	1285	1245	1210	1165	1125	1080	1025	815
	Yellow	Alt Cooling or alt Heating	1295	1255	1220	1185	1140	1100	1055	1005	955	815
	Blue	Heating or alt Cooling	1220	1185	1150	1105	1065	1025	975	915	840	740
	Orange	Alt Cooling or alt Heating	1030	985	940	900	845	790	715	655	590	535
	Red	Alt Cooling. Do not use for heating.	945	905	855	800	750	670	600	540	490	435
090C048	Gray	Cooling. Do not use for heating.	1625	1580	1535	1490	1445	1395	1340	1260	1135	995
	Yellow	Alt Cooling or alt Heating	1425	1380	1335	1290	1235	1185	1125	1075	1020	640
	Blue	Heating or alt Cooling	1440	1395	1350	1305	1255	1200	1145	1090	1040	950
	Orange	Alt Cooling or alt Heating	1260	1210	1160	1105	1050	990	935	880	820	755
	Red	Alt Cooling. Do not use for heating.	1095	1040	980	905	845	780	720	650	585	520
090C060	Gray	Cooling. Do not use for heating.	2180	2130	2080	2030	1980	1925	1870	1805	1745	1680
	Yellow	Alt Cooling or alt Heating	1900	1845	1795	1740	1685	1635	1570	1500	1435	1375
	Blue	Heating or alt Cooling	1685	1620	1565	1505	1455	1385	1320	1260	1200	1140
	Orange	Alt Cooling or alt Heating	1390	1315	1240	1175	1095	1030	970	900	825	760
	Red	Alt Cooling. Do not use for heating.	1240	1155	1075	990	915	835	765	690	615	555
090D060	Gray	Cooling. Do not use for heating.	2190	2135	2075	2015	1960	1900	1835	1775	1705	1630
	Yellow	Alt Cooling or alt Heating	1870	1810	1745	1685	1625	1565	1495	1420	1345	1280
	Blue	Heating or alt Cooling	1580	1510	1445	1385	1320	1240	1175	1115	1050	970
	Orange	Alt Cooling or alt Heating	1305	1220	1160	1075	1000	930	865	770	690	610
	Red	Alt Cooling. Do not use for heating.	1210	1075	1000	915	845	765	675	595	515	425
110C060	Gray	Cooling. Do not use for heating.	2255	2205	2150	2100	2040	1985	1920	1835	1735	1615
	Blue	Heating or alt Cooling	1945	1890	1830	1770	1715	1655	1600	1545	1480	1430
	Yellow	Alt Cooling or alt Heating	1600	1525	1465	1400	1335	1275	1210	1150	1080	1015
	Orange	Alt Cooling. Do not use for heating.	1420	1340	1280	1200	1140	1065	1005	925	865	790
	Red	Alt Cooling. Do not use for heating.	1280	1205	1140	1055	990	910	840	760	695	630
110D060	Gray	Cooling. Do not use for heating.	2250	2190	2130	2070	2005	1950	1885	1820	1755	1685
	Blue	Heating or alt Cooling	1995	1930	1865	1800	1740	1670	1605	1535	1465	1400
	Yellow	Alt Cooling. Do not use for heating.	1540	1460	1385	1305	1235	1165	1095	1035	955	890
	Orange	Alt Cooling or alt Heating	1345	1195	1135	1055	980	920	845	770	695	620
	Red	Alt Cooling. Do not use for heating.	1335	1075	965	890	820	735	660	580	505	440
135D060	Gray	Cooling. Do not use for heating.	2065	2005	1940	1875	1810	1740	1670	1600	1530	1470
	Blue	Heating or alt Cooling	1825	1760	1695	1630	1560	1490	1420	1350	1275	1205
	Yellow	Alt Cooling or alt Heating	1760	1690	1625	1555	1485	1415	1345	1275	1200	1130
	Orange	Alt Cooling. Do not use for heating.	1620	1550	1480	1405	1335	1260	1195	1130	1065	995
	Red	Alt Cooling. Do not use for heating.	1325	1260	1185	1100	1025	955	885	805	735	670

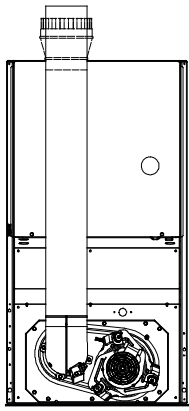
1. A filter is required for each return-air inlet. Airflow performance included 3/4-in. (19 mm) washable filter media such as contained in factory-authorized accessory filter rack. To determine airflow performance without this filter, assume an additional 0.1 in. W.C. available external static pressure.

2. Adjust the blower speed tabs as necessary for the proper air temperature rise for each installation.

3. -- Indicates unstable operating conditions.

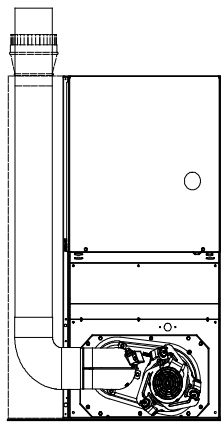
4. If the same motor speed tap is needed for heating and cooling, a Jumper Wire accessory kit is available (see Product Data Specification sheet for the current Jumper Wire accessory part number), see Function column for applicable limitations.

DOWNFLOW VENT CONFIGURATIONS



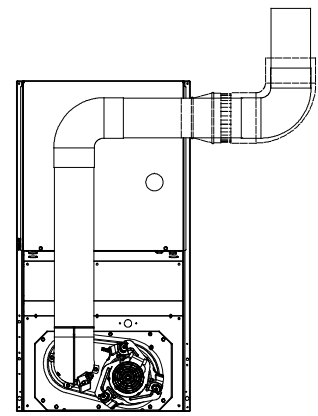
SEE NOTES: 1,2,4,5,7,8,9

A02061



SEE NOTES: 1,2,4,5,6,7,8,9

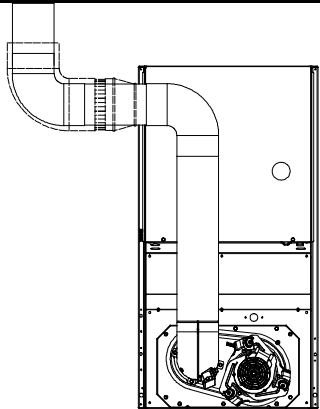
A02062



SEE NOTES: 1,2,3,4,5,7,8,9

A02063

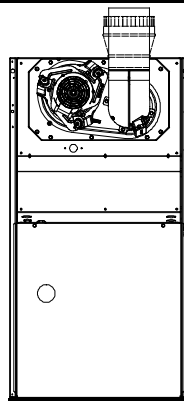
DOWNFLOW CONTINUED



SEE NOTES: 1,2,3,4,5,7,8,9

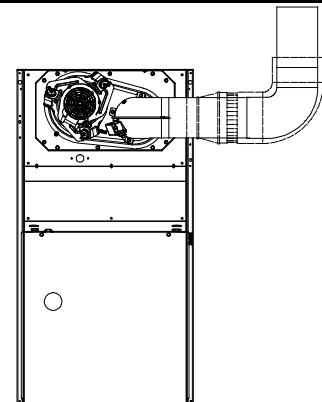
A02060

UPFLOW VENT CONFIGURATIONS



SEE NOTES: 1,2,4,7,8,9

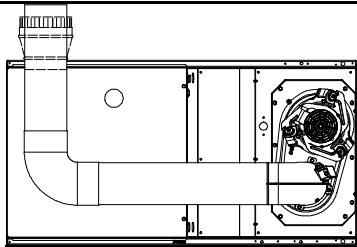
A02058



SEE NOTES: 1,2,3,4,7,8,9

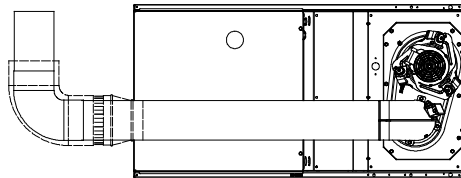
A02059

HORIZONTAL RIGHT VENT CONFIGURATIONS



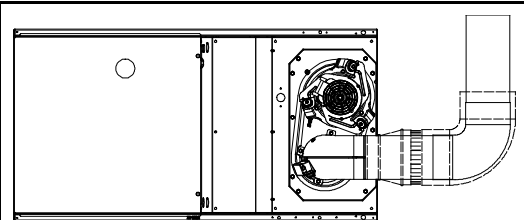
SEE NOTES: 1,2,4,5,7,8,9

A02070



SEE NOTES: 1,2,4,5,7,8,9

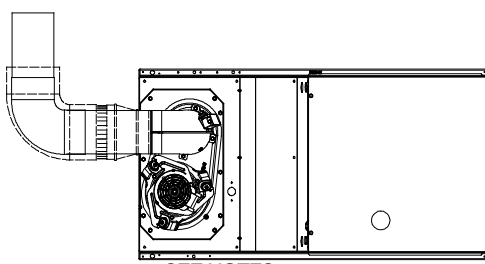
A02068



SEE NOTES: 1,2,4,7,8,9

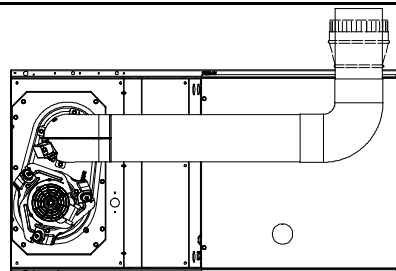
A02069

HORIZONTAL LEFT VENT CONFIGURATIONS



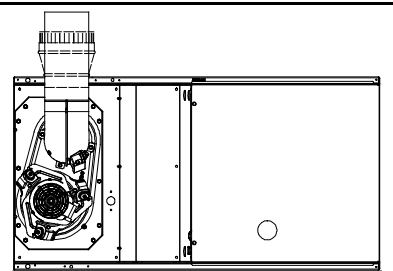
SEE NOTES: 1,2,4,7,8,9

A02064



SEE NOTES: 1,2,4,5,7,8,9

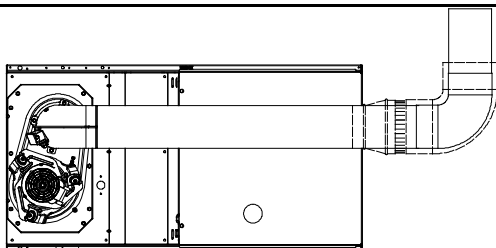
A02065



SEE NOTES: 1,2,4,5,7,8,9

A02066

HORIZONTAL LEFT VENT CONFIGURATIONS



SEE NOTES: 1,2,4,5,7,8,9

A02067

Venting notes

1. For common vent, vent connector sizing and vent material: United States, use the latest edition of the National Fuel Gas Code (NFGC).
2. Immediately increase to 5 inch (127mm) vent connector outside furnace casing when 5 inch (127mm) vent connector required, refer to Note 1.
3. Side outlet vent for upflow and downflow installations must use Type B vent immediately after exiting the furnace, except when the Downflow Vent Guard Kit is used in downflow position.
4. Type B vent where required, refer to Note 1.
5. 4 inch (102 mm) single-wall (26 ga. min.) vent must be used inside furnace casing and when the Downflow Vent Guard Kit is used external to the furnace.
6. Accessory Downflow Vent Guard Kit, required in downflow installations with lower vent configuration.
7. Chimney Adapter Kit may be required for exterior masonry chimney applications. Refer to Chimney Adapter Kit for sizing and complete application details.
8. Secure vent connector to furnace elbow with two (2) corrosion-resistant sheet metal screws, space approximately 180° apart.
9. Secure all other single wall vent connector joints with three (3) corrosion-resistant screws spaced approximately 120° apart. secure Type B vent connectors per vent connector manufacturer's recommendations.

ACCESSORIES							
PART NUMBER	DESCRIPTION	045A036	045B036	070A036	070B036	070C048	090B042
NAHB00501FF	External Bottom Filter Rack, 14 inch (14 x 25 inch washable filter included)	X		X			
NAHB00601FF	External Bottom Filter Rack, 17 inch (16 x 25 inch washable filter included)		X		X		X
NAHB00701FF	External Bottom Filter Rack, 21 inch (20 x 25 inch washable filter included)					X	
NAHA00506FB†	Washable filter, 1 inch - 16 x 25 (6 pack)	X	X	X	X		X
NAHA00706FB	Washable filter, 1 inch - 24 x 25 (6 pack)					X	
NAHA01401RA	Return Air Kit, 14-3/16" Wide	X		X			
NAHA01701RA	Return Air Kit, 17" Wide		X		X		X
NAHA02101RA	Return Air Kit, 21" Wide					X	
NAHA01101SB	Combustible Floor Base (Not required when evaporator coil case is used for downflow)	X	X	X	X	X	X
NAHB00301VC	Downflow Vent Guard (Not required when vent is routed through cabinet)	X	X	X	X	X	X
NAHA00401DH	Chimney Adapter Kit 4-in. vent	X	X	X	X	X	X
AGATWNDTE01A	Twinning Kit FCT-ECM Motor					X	
AGAGC8NPS01A	Natural-to-Propane Conversion Kit *	X	X	X	X	X	X
AGAGC8PNS01A	Propane-to-Natural Conversion Kit *	X	X	X	X	X	X
AGABLRJMP10A	Blower Speed Tap Jumper Kit (10 pack)	X	X	X	X	X	X

ACCESSORIES (CONT.)							
PART NUMBER	DESCRIPTION	090C048	090C060	090D060	110C060	110D060	135D060
NAHB00701FF	External Bottom Filter Rack, 21 inch (20 x 25 inch washable filter included)	X	X		X		
NAHB00801FF	External Bottom Filter Rack, 24 inch (24 x 25 inch washable filter included)			X		X	X
NAHA00706FB	Washable filter, 1 inch - 24 x 25 (6 pack)	X	X	X	X	X	X
NAHA02101RA	Return Air Kit, 21" Wide	X	X		X		
NAHA02401RA	Return Air Kit, 24" Wide			X		X	X
NAHA01101SB	Combustible Floor Base (Not required when evaporator coil case is used for downflow)	X	X	X	X	X	X
NAHB00301VC	Downflow Vent Guard (Not required when vent is routed through cabinet)	X	X	X	X	X	X
NAHA00401DH	Chimney Adapter Kit 4-in. vent	X	X		X		
NAHA00301DH	Chimney Adapter Kit 5-in. vent			X		X	X
AGATWNDTE01A	Twinning Kit FCT-ECM Motor	X	X	X	X	X	X
AGAGC8NPS01A	Natural-to-Propane Conversion Kit *	X	X	X	X	X	X
AGAGC8PNS01A	Propane-to-Natural Conversion Kit *	X	X	X	X	X	X
AGABLRJMP10A	Blower Speed Tap Jumper Kit (10 pack)	X	X	X	X	X	X

- X Accessory available
- † Suitable for 17 inch external bottom filter rack.
- * Factory authorized and field installed. Gas conversion kits are CSA recognized.