

**Submittal Data: VIR18HP230V1B**      18,000 BTU/H (208/230V) Wall Mounted Heat Pump System

Job Name	Location	Date
----------	----------	------

Purchaser	Engineer
-----------	----------

Submitted To	For	<input type="checkbox"/> Reference	<input type="checkbox"/> Approval	<input type="checkbox"/> Construction
--------------	-----	------------------------------------	-----------------------------------	---------------------------------------

Unit Designation	Schedule No.
------------------	--------------

- GENERAL FEATURES**
- Compact and Quiet Design
  - High Efficiency DC Inverter Technology
  - Wireless Remote with LCD Display
  - Wi-Fi Ready ( Sold Separately Kit PN: WSBE02)
  - XK-41 Wired Tether Controller ( Sold Separately)
  - Low Ambient Cool to 0 deg F
  - Blue Fin Condenser Coil
  - 5 year Limited Parts Warranty


**System Ratings**

<b>Cooling</b>	
Rated Capacity	18,000 BTU/H
Capacity Range	6,800-20,000 BTU/H
Power Input (Max)	2,600 W
SEER	20.0
EER	12.5
<b>Heating at 47° F</b>	
Rated Capacity	19,800 BTU/H
Capacity Range	7,340-23,500 BTU/H
Power Input (Max)	2,600 W
HSPF	10.5
COP	4.7
<b>Heating at 17° F</b>	
Rated Capacity	12,400 BTU/H
<b>Operating Range</b>	
Cooling	(Max) 115°F (46 C)
	(Min) 0°F (-18 C)
Heating	(Max) 75°F (24 C)
	(Min) -4°F (-20 C)

**Indoor Unit Data**

<b>Fan Motor</b>	Type	Cross-Flow
	Output Power	60 W
	FLA	0.24 A
<b>Airflow</b>		
	Cooling Wet (Lo/Hi)	335/559 CFM
	Heating Dry (Lo/Hi)	335/559 CFM
<b>Sound Pressure Level</b>		
	Cooling (Min/Max)	39/47 db(A)
	Heating (Min/Max)	39/47 db(A)
<b>Dehumidification</b>		3.80 pt/hr

**Refrigerant Piping Data**

Gas Pipe Size (OD)	5/8-in
Liquid Pipe Size (OD)	1/4-in
Connection Method	Flared
Factory Charge	56.4 oz
Additional Charge	0.54 oz/ft
Pre-Charge Length	25-ft
MAX Refrigerant Pipe Length	82-ft
MIN Refrigerant Pipe Length	10-ft
MAX Refrigerant Pipe Elevation	33-ft

**Outdoor Unit Data**

<b>Compressor</b>	Type	DC Inverter Driven Rotary
	RLA	12.1 A
<b>Refrigerant Type</b>		R410A
<b>Fan Motor</b>	Output Power	60 W
	FLA	0.49 A

**Sound Pressure**

Cooling/Heating	55/55 db(A)
-----------------	-------------

**Electrical Data**

<b>Power Supply</b>	
Normal Operational Voltage	208/230 V, 1 Phase, 60 Hz
Voltage Range	187 - 253 V
MCA	16.0 A
MOCP/Breaker Size	25 A
Main Power Wire Size	10-2 AWG

SYSTEM FEATURES	
Inverter Type	G10
Ultra Low Frequency Torque Control	Yes
Power Factor Correction	Yes
Compressor Type	High Eff. Rotary
Refrigerant Type	R410A
Basepan With Electric Heater	YES
Compressor With Electric Heater	YES
Outdoor Fin Coating	Bule Fin
Intelligent Defrosting	YES
Intelligent Preheating	YES
Low Voltage Startup	YES
Memory/Power Failure Recovery	YES
Self Diagnosis	YES
Wired Controller Interface (XK-41)	YES
Wi-Fi Interface Capable	Optional ( see PN: WSBEC01)
Indoor Fan Type	Crossflow
Multi Fan Speeds	4 Speeds
Indoor Unit Display	YES
Advance Filter	Optional (see Filter Kits)
Auxiliary Electrical Heater	NO
Ventilation (Outdoor Air)	NO

REMOTE CONTROLLER FUNCTIONS	
Auto Mode	YES
Auto Fan	YES
Auto Swing (Horizontal Auto Swing)	NO
Auto Swing (Vertical Auto Swing)	YES
Clock on Remote Controller	YES
Dry Mode	YES
Dry Anti-Mildew (X-Fan) Mode	NO
Energy Saving Mode	YES
Dirty Filter Alert	NO
I Feel Function	YES
Lock on Remote Controller	YES
Quiet Mode	NO
Room Temperature Display	YES
Sleep Mode	YES
4 Sleep Modes Options	NO
Timer Mode	YES
Turbo Mode	YES
Display On/Off Control	YES
Freeze Guard Mode	YES
Display On/Off Control	YES
Freeze Guard Mode	YES

**COOLING PERFORMANCE (BtuH)\***

Outdoor Ambient DB	Indoor Ambient Temperature							
	68F DB (20C)		73F DB (23C)		80F DB (27C)		82F DB (28C)	
	57F WB (14C)		61F WB (16C)		67F WB (19C)		68F WB (20C)	
	TC	SHC	TC	SHC	TC	SHC	TC	SHC
5°F	11,484	9,007	12,132	9,511	13,692	10,739	14,072	11,037
14°F	11,778	9,238	12,438	9,754	14,214	11,146	14,609	11,456
23°F	12,582	9,870	13,458	10,557	15,420	12,094	15,848	12,430
32°F	15,258	11,967	16,320	12,799	17,874	14,015	18,371	14,404
41°F	17,280	13,553	18,360	14,398	19,620	15,388	20,165	15,816
50°F	17,076	13,395	18,162	14,246	19,440	15,248	19,980	15,672
59°F	16,656	13,061	17,736	13,911	19,260	15,109	19,795	15,528
68°F	16,236	12,732	17,316	13,583	18,900	14,823	19,425	15,235
77°F	15,822	12,410	16,896	13,249	18,540	14,543	19,055	14,947
86°F	15,366	12,052	16,440	12,890	18,000	14,118	18,500	14,510
95°F	14,994	11,760	16,062	12,599	17,766	13,936	18,260	14,323
104°F	14,622	11,468	15,690	12,307	17,532	13,753	18,019	14,135
113°F	13,872	10,879	14,940	11,717	16,788	13,164	17,254	13,530

**HEATING PERFORMANCE (BtuH)\***

Outdoor Ambient DB	Indoor Ambient Temperature							
	68F DB (20C)		73F DB (23C)		80F DB (27C)		86F DB (30C)	
	57F WB (14C)		61F WB (16C)		67F WB (19C)		72F WB (22C)	
	TC	SHC	TC	SHC	TC	SHC	TC	SHC
-4°F	10,389	10,389	10,290	10,290	10,117	10,117	9,708	9,708
0°F	11,255	11,255	11,150	11,150	10,964	10,964	10,513	10,513
6°F	11,874	11,874	11,762	11,762	11,564	11,564	11,088	11,088
10°F	12,369	12,369	12,251	12,251	12,047	12,047	11,552	11,552
16°F	12,740	12,740	12,623	12,623	12,412	12,412	11,899	11,899
19°F	12,994	12,994	12,864	12,864	12,653	12,653	12,128	12,128
24°F	14,435	14,435	14,312	14,312	14,095	14,095	13,575	13,575
32°F	16,118	16,118	15,995	15,995	15,778	15,778	15,258	15,258
41°F	18,043	18,043	17,919	17,919	17,709	17,709	17,183	17,183
43°F	18,525	18,525	18,402	18,402	18,185	18,185	17,665	17,665
47°F	20,202	20,202	19,998	19,998	19,652	19,652	18,798	18,798
53°F	20,406	20,406	20,196	20,196	19,843	19,843	18,983	18,983
59°F	20,870	20,870	20,660	20,660	20,295	20,295	19,416	19,416
64°F	21,316	21,316	21,099	21,099	20,728	20,728	19,831	19,831
70°F	21,718	21,718	21,495	21,495	21,124	21,124	20,208	20,208
75°F	22,021	22,021	21,799	21,799	21,415	21,415	20,487	20,487

\* Maximum system capacity

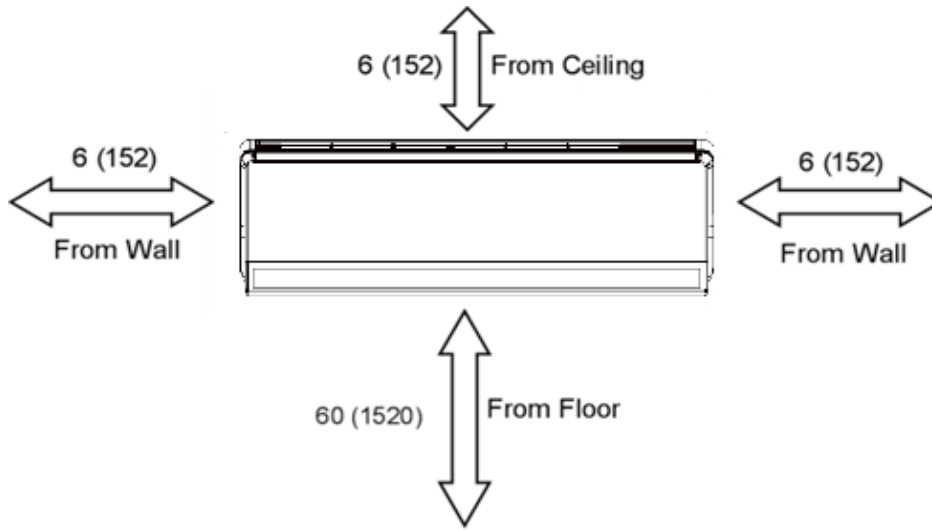
TC- Total Capacity ( BtuH)

SHC- Sensible Capacity (BtuH)

MINIMUM SPACING REQUIREMENTS

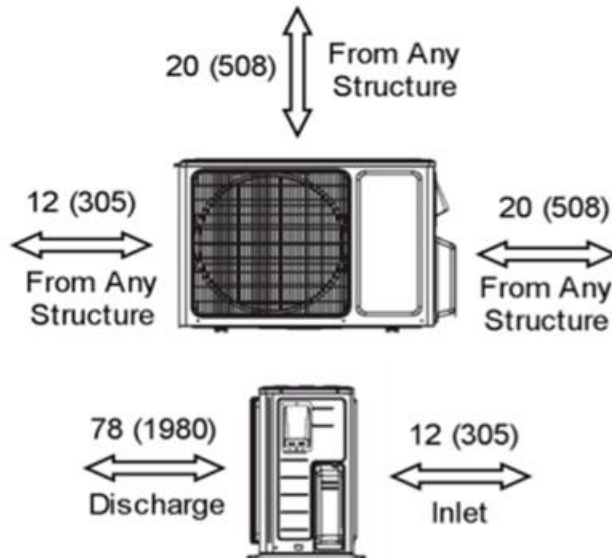
Units: inch (mm)

INDOOR



Units: inch (mm)

OUTDOOR



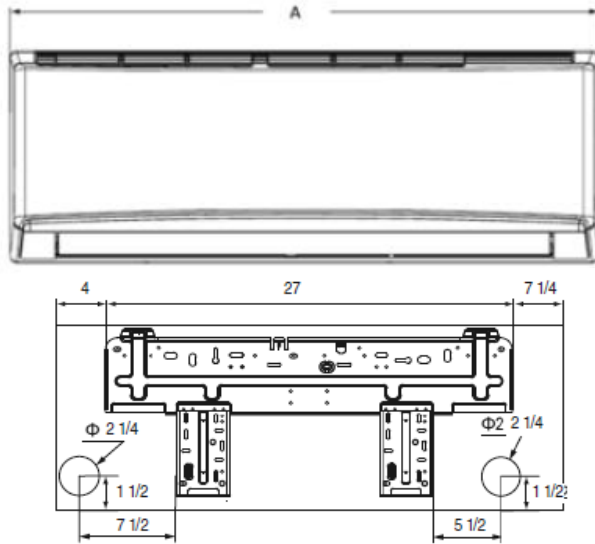
## DIMENSIONAL SPECIFICATIONS

## VIR18HP230V1B

### INDOOR UNIT DIMENSIONS

Units: inch

Model No: VIR18HP230V1BH



Dimensions	
A	38.2
B	11.8
C	8.8

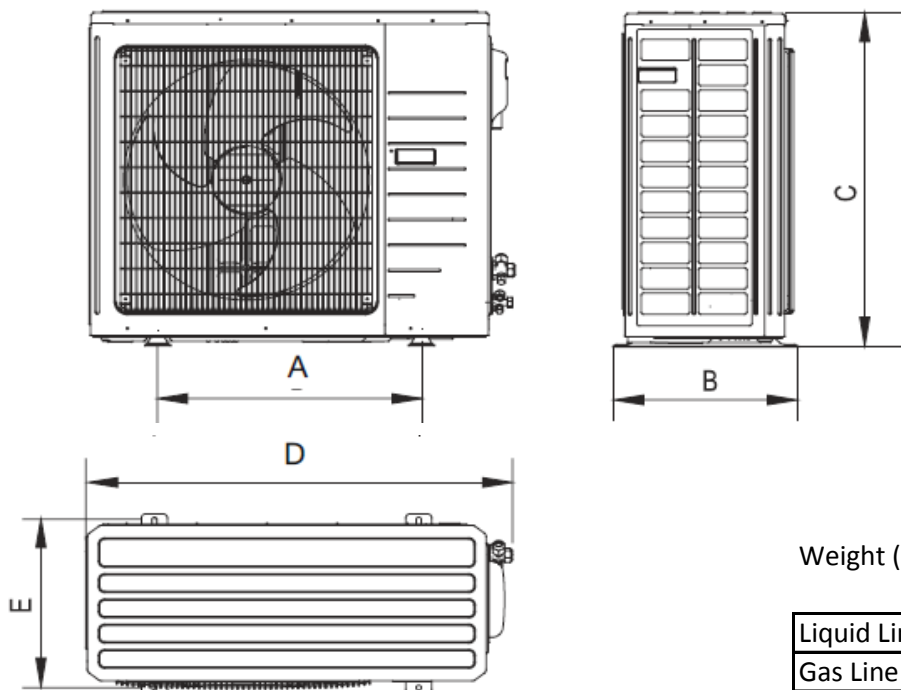
Weight (Net/Gross) 28.7/35.3 lbs

Liquid Line Valve	1/4-in OD Flared
Gas Line Valve	5/8-in OD Flared
Drain Connector	5/8-in OD

### OUTDOOR UNIT DIMENSIONS

Units: inch

Model No: VIR18HP230V1BO



Dimensions	
A	22.0
B	15.6
C	27.6
D	37.6
E	14.3

Weight (Net/Gross) 115.0/125.0 lbs

Liquid Line Valve	1/4-in OD Flared
Gas Line Valve	5/8-in OD Flared

**Notes:**

1. Recommended Interconnecting Cable Type 14 AWG-4 Stranded Copper Conductors THHN 600V Wire
2. Power wiring cable size must comply with applicable national and local codes.
3. Test conditions are based on AHRI 210/240.

Specifications are subject to change without notice. Manufacturer reserves the right to discontinue or modify specifications or designs without notice or without incurring obligations. All rights reserved.