



The new degree of comfort.™

Rheem Commercial Air Handler



RHCLA Series

Nominal Sizes 7.5, 10, 12.5 & 20 Tons
[26.4, 35.2, 44 & 70.3 kW]



TABLE OF CONTENTS

Unit Features	3
Model Number Identification	4
Unit Dimensions	5-6
Physical Data/Drive Package Data	7
Airflow Performance	8-13
Performance Data	14-18
Electric Heater Kits and Electric Data	19
Piping	20
Guide Specifications	21
Limited Warranty	22



CABINET—Powder coat painted. Matching decorative supply and return air grilles are available for use when units are to be installed within conditioned space.

MOTOR—Inherently protected motors are mounted inside of insulated cabinet to reduce motor noise. A choice of motor horsepower and drive combinations are available to allow you to meet specified CFM at various static pressures up to 2" [.498 kPa] external static pressure.

LOW PROFILE—Allows for horizontal installation in most standard drop ceiling applications, and the movement of units through most standard doorways for addition or replacement work.

THERMAL EXPANSION VALVES—Standard all models.

FILTERS—One inch [25 mm] throwaway filters are standard, but filter racks are designed to accept either one inch [25 mm] or two inch [51 mm] filters.

EVAPORATOR COIL—Two circuit, interlaced row split coils are constructed with copper tubes and aluminum fins mechanically bonded to the tubes for maximum heat transfer capabilities. All coil assemblies are leak tested up to 450 PSIG [3100 kPa] internal pressure prior to installation into units.

VARIABLE FREQUENCY DRIVE—Provides 2-stage airflow for improved part load efficiency. Meets California Title 24 requirements.

REFRIGERANT CONNECTIONS—Field piping connections are made through a fixed post between two side access panels on either side of the unit. Allows flexibility to meet most field conditions as well as full accessibility after the installation is complete. Units may be used with two straight cool condensing units or single circuit manifolded in the field using the copper fittings shipped with each unit.

DRAIN PAN—The galvanized steel drain pan is designed to trap condensate in either vertical or horizontal installations. Condensate drain connections are located on both sides of the unit allowing complete flexibility to meet most field conditions.

SERVICE ACCESS—Two removable panels on top and each side of the unit are easily removed for access to motors, blowers, sheaves, and filters.

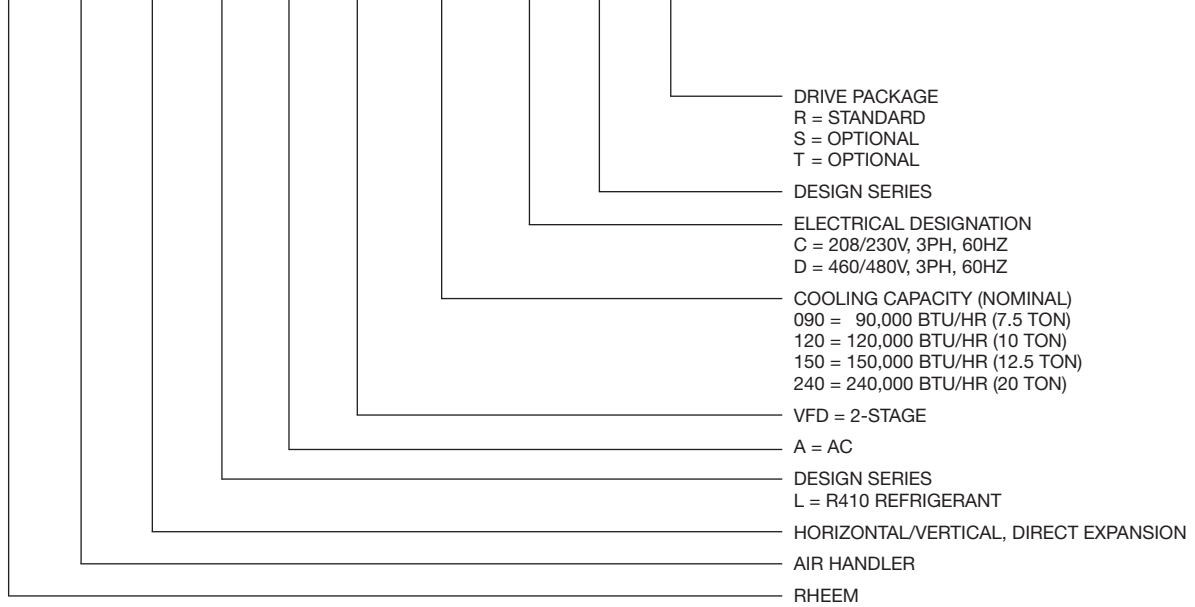
HORIZONTAL OR VERTICAL—All models are designed for either application and can be installed in either position as supplied from the factory.

TESTING—All units are run tested at the factory prior to shipment. Units are shipped with a holding charge of nitrogen.

[] Designates Metric Conversions

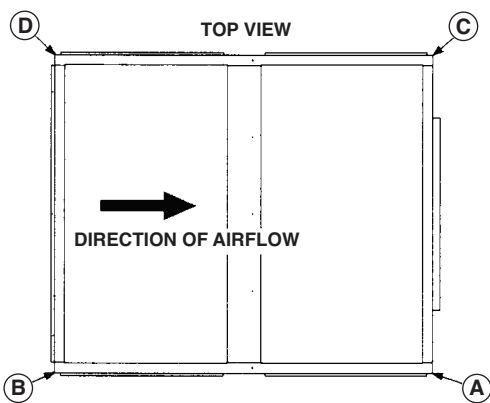


R H C L A 2 120 C A R



[] Designates Metric Conversions





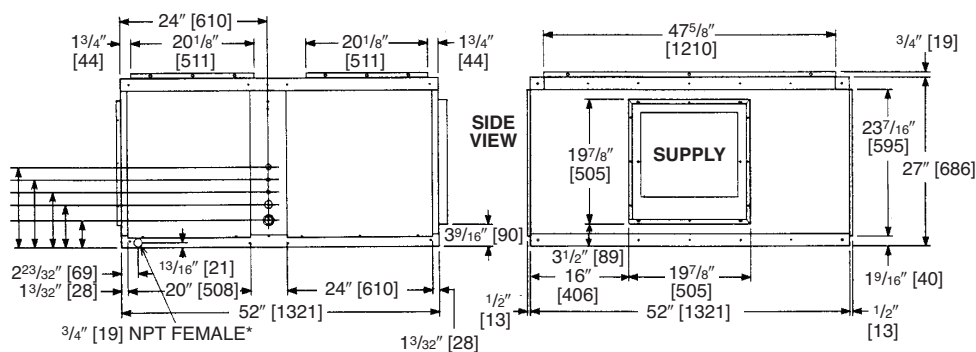
RETURN AIR OPENINGS = $47\frac{3}{8}$ " [1203] x $19\frac{7}{8}$ " [505] HEIGHT

RHCLA 7.5 AND 10 NOMINAL TONS [26.4 AND 35.2 kW]

REFRIGERANT STUB SIZES, IN. [mm]				
MODEL	DUAL LIQ.	DUAL SUC.	SINGLE LIQ.	SINGLE SUC.
090	$\frac{1}{2}$, $\frac{1}{2}$ [13, 13]	$\frac{7}{8}$, $\frac{7}{8}$ [22, 22]	$\frac{1}{2}$ [13]	$1\frac{1}{8}$ [29]
120	$\frac{1}{2}$, $\frac{1}{2}$ [13, 13]	$\frac{7}{8}$, $\frac{7}{8}$ [22, 22]	$\frac{5}{8}$ [16]	$1\frac{3}{8}$ [35]

MODEL	REFRIGERANT STUB SIZES, IN. [mm]				TOTAL WEIGHT	GROSS WEIGHT
	A	B	C	D		
090	127 [57]	57 [25]	50 [22]	131 [59]	365 [165]	409 [185]
120	127 [57]	57 [25]	50 [22]	131 [59]	365 [165]	409 [185]

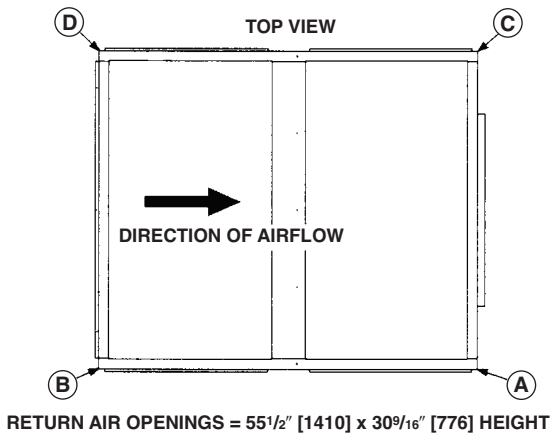
KNOCK-OUTS BOTH SIDES	
$\frac{7}{8}$ " [22]	$12\frac{13}{16}$ " [325]
$\frac{5}{8}$ " [16]	$10\frac{13}{16}$ " [275]
$\frac{5}{8}$ " [16]	$8\frac{13}{16}$ " [224]
$1\frac{1}{4}$ " [32]	$6\frac{13}{16}$ " [173]
$1\frac{1}{4}$ " x $1\frac{3}{4}$ " [32 x 44]	$4\frac{5}{16}$ " [110]



*Drain connections are provided on both sides of the drain pan. The drain can be connected to either side of the drain pan, but not both. The drain must be trapped.

[] Designates Metric Conversions

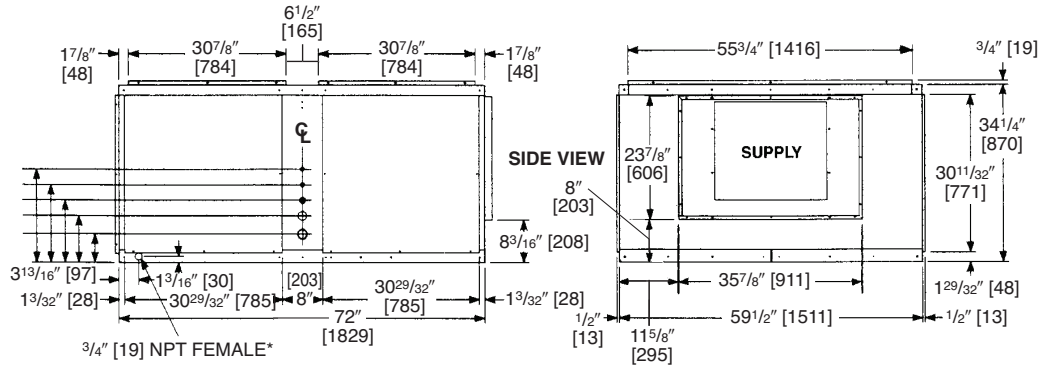
RHCLA 12.5 & 20 NOMINAL TONS [44 & 70.3 kW]



REFRIGERANT STUB SIZES, IN. [mm]				
MODEL	DUAL LIQ.	DUAL SUC.	SINGLE LIQ.	SINGLE SUC.
150	1/2, 1/2 [13, 13]	1 1/8, 1 1/8 [29, 29]	5/8 [16]	1 5/8 [41]
240	5/8, 5/8 [16, 16]	1 3/8, 1 3/8 [35, 35]	7/8 [22]	1 5/8 [41]

MODEL	REFRIGERANT STUB SIZES, IN. [mm]				GROSS WEIGHT
	A	B	C	D	
150	144 [65]	127 [58]	117 [53]	105 [48]	495 [225]
240	159 [72]	142 [64]	129 [59]	115 [52]	545 [247]

KNOCK-OUTS BOTH SIDES	
7/8" [22]	18" [457]
7/8" [22]	15" [381]
7/8" x 1 1/4" [22 x 32]	12" [305]
1 3/4" [44]	9" [229]
1 3/4" x 2" [44 x 51]	5 1/2" [140]



*Drain connections are provided on both sides of the drain pan. The drain can be connected to either side of the drain pan, but not both. The drain must be trapped.

[] Designates Metric Conversions



		RHCLA2			
Cooling Size		090	120	150	240
Nominal size (tons)		7-1/2	10	12-1/2	20
Nominal CFM @ Rated E.S.P. (2nd Stage)		3000 @ .25"	4000 @ .30"	4785 @ .35"	8000 @ .40
# of Blower Speeds		2	2	2	2
1st Stage Blower RPM %		66%	66%	66%	66%
MOTOR HORSE-POWER	Standard— 1750 RPM 3 phase	2 HP	2 HP	2 HP	5 HP
	Optional— 1750 RPM 3 phase	2 HP, 3 HP	2 HP, 3 HP	2 HP, 3 HP, 5Hp	5 HP, 7.5 HP
Blower Size—diameter x width		12 X 12	12 X 12	18 x 15	18 x 18
Blower Shaft Diameter		3/4	3/4	1	1
Motor Sheave	1750 RPM 3 phase	1VP50	4.4 - 5.0	Belt	1VP56 1-1/8"
Belt Type & Size Std.		A-50	V-54	0	B50
Coil Face Area (sq. ft.)		10.2	10.2	16.2	16.5
Coil Tube Diameter		3/8	3/8	3/8	3/8
Coil, Rows Deep-Fins Per Inch		4/15	4/15	3	4
T.X. Valve Refrigerant Control		(2) BBIZE-5-GA	(2) BBIZE-5-GA	(2) BBIZE-6-GA @98	(2) BBIZE-8-GA
Filter Size (std.)* No. Req'd		(4) 16 X 25 X 1	(4) 16 X 25 X 1	(6) 20 X 25 X 1	(6) 20 X 25 X 1
CABINET:					
Finish		Prepaint	Prepaint	Prepaint	Prepaint
Sheet Metal		Galvanized	Galvanized	Galvanized	Galvanized
Gauge: Top		18	18	18	18
Sides		16	16	16	16
Bottom		18	18	18	18
Door and Covers		20 min.	20 min.	20 min.	20 min.
UNIT WEIGHTS:					
Operating	R - Drive	330	347	446	545
	S - Drive	330	347	446	595
	T - Drive	341	358	446	645
Shipping	R - Drive	396	413	481	580
	S - Drive	396	413	481	630
	T - Drive	407	435	481	680
OPTIONAL ACCESORIES WEIGHTS:					
Hot Water Coils		200	200	200	200
Steam Heating Coils		200	200	200	200

AIRFLOW PERFORMANCE RHCLA2090 — 7.5 TON [26.4 kW] — 60 Hz — SIDEFLOW

Air Flow CFM [L/s]	(-) HCLP2090 Voltage 208/230 — 3 phase 60 Hz																																																																																																																																																																																																																																																																																																																																																																																																																																																																																																																																																																																																																																																																																																																																																				
	External Static Pressure—Inches of Water [kPa]																																																																																																																																																																																																																																																																																																																																																																																																																																																																																																																																																																																																																																																																																																																																																				
	0.1 [0.02]	0.2 [0.05]	0.3 [0.07]	0.4 [0.10]	0.5 [0.12]	0.6 [0.15]	0.7 [0.17]	0.8 [0.20]	0.9 [0.22]	1.0 [0.25]	1.1 [0.27]	1.2 [0.30]	1.3 [0.32]	1.4 [0.35]	1.5 [0.37]	1.6 [0.40]	1.7 [0.42]	1.8 [0.45]	1.9 [0.47]	2.0 [0.50]																																																																																																																																																																																																																																																																																																																																																																																																																																																																																																																																																																																																																																																																																																																																	
2400 [1133]	—	626 [590]	673 [644]	720 [696]	767 [745]	803 [780]	843 [828]	883 [868]	921 [906]	959 [944]	995 [983]	1035 [1023]	1075 [1063]	1114 [1102]	1153 [1141]	1191 [1179]	1228 [1216]	1266 [1254]	1303 [1291]	1341 [1329]	1379 [1367]	1417 [1405]	1455 [1443]	1493 [1481]	1531 [1519]	1569 [1557]	1607 [1595]	1645 [1633]	1683 [1671]	1721 [1709]	1759 [1747]	1797 [1785]	1835 [1823]	1873 [1861]	1911 [1899]	1949 [1937]	1987 [1975]	2025 [2013]	2063 [2051]	2101 [2089]	2139 [2127]	2177 [2165]	2215 [2203]	2253 [2241]	2291 [2279]	2329 [2317]	2367 [2355]	2405 [2393]	2443 [2431]	2481 [2469]	2519 [2507]	2557 [2545]	2595 [2583]	2633 [2621]	2671 [2659]	2709 [2697]	2747 [2735]	2785 [2773]	2823 [2811]	2861 [2849]	2899 [2887]	2937 [2925]	2975 [2963]	3013 [3001]	3051 [3039]	3089 [3077]	3127 [3115]	3165 [3153]	3203 [3191]	3241 [3229]	3279 [3267]	3317 [3305]	3355 [3343]	3393 [3381]	3431 [3419]	3469 [3457]	3507 [3495]	3545 [3533]	3583 [3571]	3621 [3609]	3659 [3647]	3697 [3685]	3735 [3723]	3773 [3761]	3811 [3799]	3849 [3837]	3887 [3875]	3925 [3913]	3963 [3951]	4001 [3989]	4039 [4027]	4077 [4065]	4115 [4103]	4153 [4141]	4191 [4179]	4229 [4217]	4267 [4255]	4305 [4293]	4343 [4331]	4381 [4369]	4419 [4407]	4457 [4445]	4495 [4483]	4533 [4521]	4571 [4559]	4609 [4597]	4647 [4635]	4685 [4673]	4723 [4711]	4761 [4749]	4799 [4787]	4837 [4825]	4875 [4863]	4913 [4901]	4951 [4939]	4989 [4977]	5027 [5015]	5065 [5053]	5103 [5091]	5141 [5129]	5179 [5167]	5217 [5205]	5255 [5243]	5293 [5281]	5331 [5319]	5369 [5357]	5407 [5395]	5445 [5433]	5483 [5471]	5521 [5509]	5559 [5547]	5597 [5585]	5635 [5623]	5673 [5661]	5711 [5699]	5749 [5737]	5787 [5775]	5825 [5813]	5863 [5851]	5901 [5889]	5939 [5927]	5977 [5965]	6015 [6003]	6053 [6041]	6091 [6079]	6129 [6117]	6167 [6155]	6205 [6193]	6243 [6231]	6281 [6269]	6319 [6307]	6357 [6345]	6395 [6383]	6433 [6421]	6471 [6459]	6509 [6497]	6547 [6535]	6585 [6573]	6623 [6611]	6661 [6649]	6699 [6687]	6737 [6725]	6775 [6763]	6813 [6801]	6851 [6839]	6889 [6877]	6927 [6915]	6965 [6953]	7003 [6991]	7041 [7029]	7079 [7067]	7117 [7105]	7155 [7143]	7193 [7181]	7231 [7219]	7269 [7257]	7307 [7295]	7345 [7333]	7383 [7371]	7421 [7409]	7459 [7447]	7497 [7485]	7535 [7523]	7573 [7561]	7611 [7599]	7649 [7637]	7687 [7675]	7725 [7713]	7763 [7751]	7801 [7789]	7839 [7827]	7877 [7865]	7915 [7903]	7953 [7941]	7991 [7979]	8029 [8017]	8067 [8055]	8105 [8093]	8143 [8131]	8181 [8169]	8219 [8207]	8257 [8245]	8295 [8283]	8333 [8321]	8371 [8359]	8409 [8397]	8447 [8435]	8485 [8473]	8523 [8511]	8561 [8549]	8599 [8587]	8637 [8625]	8675 [8663]	8713 [8701]	8751 [8739]	8789 [8777]	8827 [8815]	8865 [8853]	8903 [8891]	8941 [8929]	8979 [8967]	9017 [9005]	9055 [9043]	9093 [9081]	9131 [9119]	9169 [9157]	9207 [9195]	9245 [9233]	9283 [9271]	9321 [9309]	9359 [9347]	9397 [9385]	9435 [9423]	9473 [9461]	9511 [9499]	9549 [9537]	9587 [9575]	9625 [9613]	9663 [9651]	9701 [9689]	9739 [9727]	9777 [9765]	9815 [9803]	9853 [9841]	9891 [9879]	9929 [9917]	9967 [9955]	10005 [9993]	10043 [10031]	10081 [10069]	10119 [10107]	10157 [10145]	10195 [10183]	10233 [10221]	10271 [10259]	10309 [10297]	10347 [10335]	10385 [10373]	10423 [10411]	10461 [10449]	10499 [10487]	10537 [10525]	10575 [10563]	10613 [10601]	10651 [10639]	10689 [10677]	10727 [10715]	10765 [10753]	10803 [10791]	10841 [10829]	10879 [10867]	10917 [10905]	10955 [10943]	10993 [10981]	11031 [11019]	11069 [11057]	11107 [11095]	11145 [11133]	11183 [11171]	11221 [11209]	11259 [11247]	11297 [11285]	11335 [11323]	11373 [11361]	11411 [11399]	11449 [11437]	11487 [11475]	11525 [11513]	11563 [11551]	11601 [11589]	11639 [11627]	11677 [11665]	11715 [11703]	11753 [11741]	11791 [11779]	11829 [11817]	11867 [11855]	11905 [11893]	11943 [11931]	11981 [11969]	12019 [12007]	12057 [12045]	12095 [12083]	12133 [12121]	12171 [12159]	12209 [12197]	12247 [12235]	12285 [12273]	12323 [12311]	12361 [12349]	12399 [12387]	12437 [12425]	12475 [12463]	12513 [12501]	12551 [12539]	12589 [12577]	12627 [12615]	12665 [12653]	12703 [12691]	12741 [12729]	12779 [12767]	12817 [12805]	12855 [12843]	12893 [12881]	12931 [12919]	12969 [12957]	13007 [12995]	13045 [13033]	13083 [13071]	13121 [13109]	13159 [13147]	13197 [13185]	13235 [13223]	13273 [13261]	13311 [13299]	13349 [13337]	13387 [13375]	13425 [13413]	13463 [13451]	13501 [13489]	13539 [13527]	13577 [13565]	13615 [13603]	13653 [13641]	13691 [13679]	13729 [13717]	13767 [13755]	13805 [13793]	13843 [13831]	13881 [13869]	13919 [13907]	13957 [13945]	13995 [13983]	14033 [14021]	14071 [14059]	14109 [14097]	14147 [14135]	14185 [14173]	14223 [14211]	14261 [14249]	14299 [14287]	14337 [14325]	14375 [14363]	14413 [14401]	14451 [14439]	14489 [14477]	14527 [14515]	14565 [14553]	14603 [14591]	14641 [14629]	14679 [14667]	14717 [14705]	14755 [14743]	14793 [14781]	14831 [14819]	14869 [14857]	14907 [14895]	14945 [14933]	14983 [14971]	15021 [15009]	15059 [15047]	15097 [15085]	15135 [15123]	15173 [15161]	15211 [15199]	15249 [15237]	15287 [15275]	15325 [15313]	15363 [15351]	15401 [15389]	15439 [15427]	15477 [15465]	15515 [15503]	15553 [15541]	15591 [15579]	15629 [15617]	15667 [15655]	15705 [15693]	15743 [15731]	15781 [15769]	15819 [15807]	15857 [15845]	15895 [15883]	15933 [15921]	15971 [15959]	16009 [15997]	16047 [16035]	16085 [16073]	16123 [16111]	16161 [16149]	16199 [16187]	16237 [16225]	16275 [16263]	16313 [16301]	16351 [16339]	16389 [16377]	16427 [16415]	16465 [16453]	16503 [16491]	16541 [16529]	16579 [16567]	16617 [16605]	16655 [16643]	16693 [16681]	16731 [16719]	16769 [16757]	16807 [16795]	16845 [16833]	16883 [16871]	16921 [16909]	16959 [16947]	17000 [16988]	17040 [17028]	17080 [17068]	17120 [17108]	17160 [17148]	17200 [17188]	17240 [17228]	17280 [17268]	17320 [17308]	17360 [17348]	17400 [17388]	17440 [17428]	17480 [17468]	17520 [17508]	17560 [17548]	17600 [17588]	17640 [17628]	17680 [17668]	17720 [17708]	17760 [17748]	17800 [17788]	17840 [17828]	17880 [17868]	17920 [17908]	17960 [17948]	18000 [17988]	18040 [18028]	18080 [18068]	18120 [18108]	18160 [18148]	18200 [18188]	18240 [18228]	18280 [18268]	18320 [18308]	18360 [18348]	18400 [18388]	18440 [18428]	18480 [18468]	18520 [18508]	18560 [18548]	18600 [18588]	18640 [18628]	18680 [18668]	18720 [18708]	18760 [18748]	18800 [18788]	18840 [18828]	18880 [18868]	18920 [18908]	18960 [18948]	19000 [18988]	19040 [19028]	19080 [19068]	19120 [19108]	19160 [19148]	19200 [19188]	19240 [19228]	19280 [19268]	19320 [19308]	19360 [19348]	19400 [19388]	19440 [19428]	19480 [19468]	19520 [19508]	19560 [19548]	19600 [19588]	19640 [19628]	19680 [19668]	19720 [19708]	19760 [19748]	19800 [19788]	19840 [19828]	19880 [19868]	19920 [19908]	19960 [19948]	20000 [19988]	20040 [20028]	20080 [20068]	20120 [20108]	20160 [20148]	20200 [20188]	20240 [20228]	20280 [20268]	20320 [20308]	20360 [20348]	20400 [20388]	20440 [20428]	20480 [20468]	20520 [20508]	20560 [20548]	20600 [20588]	20640 [20628]	20680 [20668]	20720 [20708]	20760 [20748]	20800 [20788]	20840 [20828]	20880 [20868]	20920 [20908]	20960 [20948]	21000 [20988]	21040 [21028]	21080 [21068]	21120 [21108]	21160 [21148]	21200 [21188]	21240 [21228]	21280 [21268]	21320 [21308]	21360 [21348]	21400 [21388]	21440 [21428]	21480 [21468]	21520 [21508]	21560 [21548]	21600 [21588]	21640 [21628]	21680 [21668]	21720 [21708]	21760 [21748]	21800 [21788]	21840 [21828]	21880 [21868]	21920 [21908]	21960 [21948]	22000 [21988]	22040 [22028]	22080 [22068]	22120 [22108]	22160 [22148]	22200 [22188]	22240 [22228]	22280 [22268]	22320 [22308]	22360 [22348]	22400 [22388]	22440 [22428]	22480 [22468]	22520 [22508]	22560 [22548]	22600 [22588]	22640 [22628]	22680 [22668]	22720 [22708]	22760 [22748]	22800 [22788]	22840 [22828]	22880 [22868]	22920 [22908]	22960 [22948]	23000 [22988]	23040 [23028]	23080 [23068]	23120 [23108]	23160 [23148]	23200 [23188]	23240 [23228]	23280 [23268]	23320 [23308]	23360 [23348]	23400 [23388]	23440 [23428]	23480 [23468]	23520 [23508]	23560 [23548]	23600 [23588]	23640 [23628]	23680 [23668]	23720 [23708]	23760 [23748]	23800 [23788]	23840 [23828]	23880 [23868]	23920 [23908]	23960 [23948]	24000 [23988]	24040 [24028]	24080 [24068]	24120 [24108]	24160 [24148]	24200 [24188]	24240 [24228]	24280 [24268]	24320 [24308]	24360 [24348]	24400 [24388]	24440 [24428]	24480 [24468]	24520 [24508]	24560 [24548]	24600 [24588]	24640 [24628]	24680 [24668]	24720 [24708]	24760 [24748]	24800 [24788]	24840 [24828]	24880 [24868]	24920 [24908]	24960 [24948]	25000 [24988]	25040 [25028]	25080 [25068]	25120 [25108]	25160 [25148]	25200 [25188]	25240 [25228]	25280 [25268]	25320 [25308]	25360 [25348]	25400 [25388]	25440 [25428]	25480 [25468]	25520 [25508]	25560 [25548]	25600 [25588]	25640 [25628]	25680 [25668]	25720 [25708]	25760 [25748]	25800 [25788]	25840 [25828]	25880 [25868]	25920 [25908]	25960 [25948]	26000 [25988]	26040 [26028]	26080 [26068]	26120 [26108]	26160 [26148]	26200 [26188]	26240 [26228]	26280 [26268]	26320 [26308]	26360 [26348]	26400 [26388]	26440 [26428]	26480 [26468]	26520 [26508]	26560 [26548]	26600 [26588]	26640 [26628]	26680 [26668]	26720 [26708]	26760 [26748]	26800 [26788]	26840 [26828]	26880 [26868]	26920 [26908]	26960 [26948]	27000 [26988]	27040 [27028]	27080 [27068]	27120 [27108]	27160 [27148]	27200 [27188]	27240 [27228]	27280 [27268]	27320 [27308]	27360 [27348]	27400 [27388]	27440 [27428]	27480 [27468]	27520 [27508]	27560 [27548]	27600 [27588]	27640 [27628]	27680 [27668]	27720 [27708]	27760 [27748]	27800 [27788]	27840 [27828]	27880 [27868]	27920 [27908]	27960 [27948]	28000 [27988]	28040 [28028]	28080 [28068]	28120 [28108]	28160 [28148]	28200 [28188]	28240 [28228]	28280 [28268]	28320 [28308]	28360 [28348]	28400 [28388]	28440 [28428]	28480 [28468]	28520 [28508]	28560 [28548]	28600 [28588]	28640 [28628]	28680 [28668]	28720 [

AIRFLOW PERFORMANCE — 10 TON [26.4 kW] — 60 Hz — SIDEFLOW

Air Flow CFM [L/s]	External Static Pressure—Inches of Water [kPa]																																							
	(-) HCLA2120 Voltage 208/230 — 3 phase 60 Hz										0.9 [0.22]										1.0 [0.25]																			
	0.1 [0.02]	0.2 [0.05]	0.3 [0.07]	0.4 [0.10]	0.5 [0.12]	0.6 [0.15]	0.7 [0.17]	0.8 [0.20]	0.9 [0.22]	1.0 [0.25]	1.1 [0.27]	1.2 [0.30]	1.3 [0.32]	1.4 [0.35]	1.5 [0.37]	1.6 [0.40]	1.7 [0.42]	1.8 [0.45]	1.9 [0.47]	2.0 [0.50]	1.1 [0.27]	1.2 [0.30]	1.3 [0.32]	1.4 [0.35]	1.5 [0.37]	1.6 [0.40]	1.7 [0.42]	1.8 [0.45]	1.9 [0.47]	2.0 [0.50]										
2400 [1133]	—	626	590	673	644	720	696	767	745	803	792	843	854	883	915	921	976	959	1036	995	1095	1004	1103	1035	1157	1066	1212	1096	1268	1126	1327	1156	1387	1185	1449	1214	1513	1237	1497	
2500 [1180]	—	641	634	688	688	734	741	780	790	815	835	855	898	893	961	931	1023	968	1084	1004	1145	1013	1162	1044	1219	1075	1277	1105	1337	1135	1399	1164	1463	1193	1528	1222	1595	1246	1582	
2600 [1227]	—	657	680	703	736	748	788	793	838	828	883	867	948	904	1012	941	1075	977	1138	1012	1200	1023	1226	1054	1286	1084	1347	1114	1411	1144	1476	1173	1542	1202	1611	1230	1681	1256	1672	
2700 [1274]	628	671	673	730	718	786	763	839	806	890	840	936	878	1003	915	1068	951	1133	987	1197	1001	1233	1033	1294	1063	1357	1094	1422	1124	1489	1153	1557	1182	1627	1210	1699	1242	1717	1266	1767
2800 [1321]	645	724	690	783	734	839	778	893	815	926	853	995	890	1063	927	1130	962	1196	996	1261	1012	1302	1043	1367	1073	1433	1103	1501	1133	1571	1162	1643	1191	1716	1219	1791	1252	1814	1276	1867
2900 [1368]	663	779	707	839	750	896	793	951	829	989	866	1059	903	1128	938	1196	973	1264	1006	1331	1022	1376	1053	1444	1083	1514	1113	1585	1142	1658	1172	1733	1200	1810	1228	1888	1262	1914	1286	1970
3000 [1416]	682	838	725	898	767	956	806	985	843	1057	879	1128	915	1199	950	1269	983	1338	1016	1406	1032	1455	1063	1526	1093	1599	1123	1674	1152	1750	1181	1828	1209	1908	1248	1959	1272	2020	1296	2079
3100 [1463]	701	900	743	961	784	1019	820	1056	857	1130	893	1203	928	1275	961	1346	994	1416	1012	1466	1043	1539	1074	1613	1104	1689	1133	1767	1162	1847	1191	1928	1219	2011	1258	2066	1282	2130	1306	2192
3200 [1510]	720	965	761	1026	802	1085	836	1133	871	1208	906	1283	940	1356	973	1429	1005	1500	1023	1551	1054	1627	1084	1705	1114	1784	1143	1865	1172	1948	1201	2033	1229	2119	1268	2177	1293	2244	1316	2310
3300 [1557]	740	1033	780	1095	815	1139	851	1216	886	1292	920	1368	953	1442	985	1516	1017	1590	1035	1640	1065	1720	1095	1801	1125	1883	1154	1968	1182	2054	1211	2142	1254	2222	1279	2293	1303	2363	1326	2432
3400 [1604]	760	1104	799	1167	831	1225	866	1303	900	1381	934	1458	966	1534	998	1610	1015	1654	1046	1735	1076	1817	1106	1901	1135	1987	1164	2075	1193	2164	1221	2255	1265	2339	1290	2413	1314	2487	—	—
3500 [1652]	781	1179	812	1236	847	1316	882	1396	915	1475	948	1554	979	1631	1010	1708	1027	1749	1057	1833	1088	1919	1117	2006	1146	2096	1175	2187	1203	2279	1250	2382	1276	2461	1300	2538	1324	2615	—	—
4000 [1888]	868	1677	900	1766	931	1853	962	1940	991	2026	997	2006	1028	2101	1058	2198	1088	2296	1118	2397	1147	2499	1175	2602	1204	2708	1186	2803	1214	2909	1261	2905	1287	2968	1311	2968	—	—	—	—

Drive Package	R										S										T										U - Field Installed									
Motor H.P. [W]	2.0 [1491.4]										2.0 [1491.4]										3 [2237.1]										3 [2237.1]									
Blower Sheave	AK104										AK71H										AK59										AK79									
Motor Sheave	1VP50										1VL-44										1VL-44										1VP-65									
Belt	A50										A44										A42										A48									
Turns Open	0	1	2	3	4	5	6	7	8	9	0	1	2	3	4	5	6	7	8	9	0	1	2	3	4	5	6	7	8	9	0	1	2	3	4	5	6	7	8	9
RPM	801	768	732	696	662	627	598	569	542	517	955	911	865	819	773	727	681	635	589	543	1220	1164	1109	1049	990	926	861	797	733	669	1322	1280	1240	1197	1153	1109	1065	1021	977	933

NOTES: 1. Factory sheave settings are shown in bold type.
 2. Do not set motor sheave below minimum or maximum turns open shown.
 3. Re-adjustment of sheave required to achieve rated airflow at AHRI minimum External Static Pressure
 4. Drive data shown is for horizontal airflow with dry coil. Add component resistance (below) to duct resistance to determine total External Static Pressure.

[] Designates Metric Conversions



Airflow CFM [L/s]	AIRFLOW CORRECTION FACTORS *			COMPONENT AIRFLOW RESISTANCE Wet Coil Resistance Inches of Water [kPa]
	Total MBH	Sensible MBH	Power kW	
2400 [1133]	0.93	0.73	0.96	0.04 [.01]
2500 [1180]	0.93	0.74	0.96	0.05 [.01]
2600 [1227]	0.94	0.76	0.97	0.05 [.01]
2700 [1274]	0.94	0.78	0.97	0.05 [.01]
2800 [1321]	0.95	0.80	0.97	0.05 [.01]
2900 [1368]	0.95	0.81	0.97	0.06 [.01]
3000 [1416]	0.95	0.83	0.98	0.06 [.01]
3100 [1463]	0.96	0.85	0.98	0.06 [.01]
3200 [1510]	0.96	0.87	0.98	0.06 [.01]
3300 [1557]	0.97	0.88	0.99	0.07 [.02]
3400 [1604]	0.97	0.90	0.99	0.07 [.02]
3500 [1652]	0.98	0.92	0.99	0.07 [.02]
3600 [1699]	0.98	0.93	0.99	0.08 [.02]
3700 [1746]	0.99	0.95	1.00	0.08 [.02]
3800 [1793]	0.99	0.97	1.00	0.08 [.02]
3900 [1840]	1.00	0.99	1.00	0.08 [.02]
4000 [1888]	1.00	1.00	1.01	0.09 [.02]

* Multiply correction factor times gross performance data — resulting sensible capacity cannot exceed total capacity.

[] Designates Metric Conversions



AIRFLOW PERFORMANCE — 12.5 TON [44 kW] — 60 Hz — SIDEFLOW

Air Flow CFM [L/s]	Voltage 208/230, 460 — 3 phase 60 Hz																																							
	External Static Pressure—Inches of Water [kPa]																																							
	0.1 [1.02]	0.2 [0.05]	0.3 [0.07]	0.4 [1.10]	0.5 [1.12]	0.6 [1.15]	0.7 [1.17]	0.8 [1.20]	0.9 [1.22]	1.0 [1.25]	1.1 [1.27]	1.2 [1.30]	1.3 [1.32]	1.4 [1.35]	1.5 [1.37]	1.6 [1.40]	1.7 [1.42]	1.8 [1.45]	1.9 [1.47]	2.0 [1.50]																				
3500 [1652]	387	884	413	870	440	868	468	880	496	904	526	941	556	991	587	1054	618	1130	651	1219	672	1385	699	1473	727	1565	748	1599	773	1704	795	1818	826	1839	853	2068	881	2205	856	2011
3700 [1746]	398	903	423	895	450	900	477	918	505	948	533	992	563	1049	593	1119	624	1201	656	1297	675	1443	702	1533	730	1628	750	1643	775	1751	800	1868	827	1992	854	2124	882	2264	860	2024
3900 [1840]	409	931	434	929	459	941	486	965	513	1003	541	1053	570	1116	600	1193	630	1282	653	1423	679	1510	706	1603	733	1701	752	1699	777	1810	802	1929	829	2056	856	2191	883	2334	865	2047
4100 [1935]	420	969	445	974	470	992	496	1023	522	1067	550	1124	578	1194	607	1277	637	1372	658	1498	684	1588	710	1684	736	1784	755	1766	780	1880	805	2002	831	2132	857	2270	839	1955	869	2080
4300 [2029]	432	1017	456	1029	480	1053	506	1091	532	1141	559	1205	586	1281	615	1371	644	1473	664	1584	689	1676	714	1774	740	1878	759	1844	783	1961	808	2086	834	2219	860	2360	844	1997	873	2124
4500 [2123]	444	1075	468	1093	491	1124	516	1169	542	1226	568	1296	595	1379	623	1474	651	1583	670	1679	695	1775	719	1875	745	1981	763	1934	787	2054	811	2181	837	2317	863	2461	849	2049	877	2179
4700 [2218]	457	1143	480	1168	503	1205	527	1256	552	1320	578	1396	604	1486	631	1588	653	1692	677	1785	701	1883	725	1986	750	2095	767	2035	791	2158	815	2288	840	2427	866	2573	854	2112	882	2244
4900 [2312]	470	1221	492	1252	515	1296	538	1354	563	1424	588	1507	613	1603	640	1712	661	1805	684	1901	707	2001	731	2107	750	2203	772	2147	796	2273	820	2406	845	2548	870	2697	859	2185	886	2320
5100 [2407]	484	1308	505	1346	527	1397	550	1461	574	1538	598	1627	623	1730	649	1846	669	1929	691	2026	714	2130	738	2238	756	2151	778	2271	801	2399	825	2536	849	2680	875	2832	864	2289	891	2406
5300 [2501]	497	1406	518	1451	540	1508	562	1578	585	1662	609	1758	633	1867	659	1989	677	2062	699	2162	722	2288	745	2379	762	2283	784	2406	807	2537	830	2677	855	2824	880	2979	869	2363	896	2503
5500 [2595]	512	1514	532	1565	553	1629	574	1706	597	1795	620	1898	644	2014	665	2108	686	2205	708	2308	730	2417	752	2530	769	2426	791	2553	813	2687	836	2829	860	2979	849	2332	875	2488	901	2610
5700 [2690]	526	1631	546	1689	566	1759	587	1843	609	1939	631	2048	655	2171	676	2259	696	2359	717	2465	738	2575	756	2460	776	2581	798	2710	820	2847	843	2992	867	3145	855	2445	880	2583	905	2728
5900 [2784]	541	1758	560	1823	580	1900	600	1990	621	2093	643	2209	667	2322	686	2420	706	2523	727	2631	747	2744	764	2624	784	2748	805	2880	827	3019	850	3167	873	3323	861	2568	886	2709	910	2857

Drive Package	R					S					T					U - Field Installed																				
Motor H.P. [W]	2.0 [1491.4]					3.0 [1491.4]					5 [2237.1]					5 [2237.1]																				
Blower Sheave	BK12OSP 1"					BK12OSP 1"					BK10OSP 1"					BK10OSP 1"																				
Motor Sheave	1VP44 7/8"					1VP50 7/8"					1VL-50 1-1/8"					1VL-60 1-1/8"																				
Belt	A52					A52					BK46"					B48																				
Turns Open	0	1	2	3	4	5	0	1	2	3	4	5	0	1	2	3	4	5	0	1	2	3	4	5	0	1	2	3	4	5	0	1	2	3	4	5
RPM	650	630	606	579	551	522	746	723	699	670	644	617	877	840	803	766	730	694	1322	1280	1240	1197	1153	1109	1322	1280	1240	1197	1153	1109	1322	1280	1240	1197	1153	1109

- NOTES:** 1. Factory sheave settings are shown in bold type.
 2. Do not set motor sheave below minimum or maximum turns open shown.
 3. Re-adjustment of sheave required to achieve rated airflow at AHRI minimum External Static Pressure
 4. Drive data shown is for horizontal airflow with dry coil. Add component resistance (below) to duct resistance to determine total External Static Pressure.

[] Designates Metric Conversions



AIRFLOW PERFORMANCE — 20 TON [70.3 kW] — 60 HZ — SIDEFLOW

Air Flow CFM [L/s]		External Static Pressure—Inches of Water [kPa]																			
		(-) HC LA2240 Voltage 208/230, 460 — 3 phase 60 Hz																			
		0.1 [0.02]	0.2 [0.05]	0.3 [0.07]	0.4 [0.10]	0.5 [0.12]	0.6 [0.15]	0.7 [0.17]	0.8 [0.20]	0.9 [0.22]	1.0 [0.25]	1.1 [0.27]	1.2 [0.30]	1.3 [0.32]	1.4 [0.35]	1.5 [0.37]	1.6 [0.40]	1.7 [0.42]	1.8 [0.45]	1.9 [0.47]	2.0 [0.50]
6200 [2926]	—	—	—	—	—	—	—	—	—	—	—	—	—	—	—	—	—	—	—	—	
6400 [3020]	—	—	—	—	—	—	—	—	—	—	—	—	—	—	—	—	—	—	—	—	
6600 [3114]	—	—	—	—	—	—	—	—	—	—	—	—	—	—	—	—	—	—	—	—	
6800 [3209]	—	—	—	—	—	—	—	—	—	—	—	—	—	—	—	—	—	—	—	—	
7000 [3303]	—	—	—	—	—	—	—	—	—	—	—	—	—	—	—	—	—	—	—	—	
7200 [3398]	—	—	—	—	—	—	—	—	—	—	—	—	—	—	—	—	—	—	—	—	
7400 [3492]	—	—	—	—	—	—	—	—	—	—	—	—	—	—	—	—	—	—	—	—	
7600 [3586]	698	3474	711	3587	725	3695	739	3798	753	3895	768	3987	783	4073	798	4155	814	4231	830	4302	
7800 [3681]	714	3731	727	3842	740	3947	753	4046	767	4141	782	4230	796	4314	811	4393	827	4466	839	4489	
8000 [3775]	730	3995	742	4103	755	4205	768	4302	782	4394	796	4481	810	4562	825	4638	835	4610	851	4743	
8200 [3869]	747	4267	759	4372	771	4472	784	4566	797	4655	810	4739	824	4818	832	4737	848	4868	864	5011	
8400 [3964]	763	4546	775	4648	787	4745	799	4837	812	4923	825	5005	831	4869	845	4999	861	5140	878	5293	
8600 [4058]	780	4832	792	4932	803	5026	815	5115	828	5199	830	5008	844	5135	859	5274	875	5426	892	5590	
8800 [4153]	798	5126	809	5223	820	5314	832	5401	830	5151	843	5277	858	5415	873	5564	890	5726	907	5900	
9000 [4247]	816	5427	826	5521	837	5610	830	5301	844	5425	857	5561	872	5709	888	5869	904	6041	922	6225	
9200 [4341]	834	5735	821	5347	832	5456	845	5578	858	5712	872	5859	887	6017	903	6187	920	6370	938	6565	
9400 [4436]	824	5509	835	5617	847	5738	860	5870	873	6014	888	6171	903	6339	919	6520	936	6713	954	6918	

Drive Package	R										S										T									
	5 [1491.4]										7.5 [2237.1]										7.5 [2237.1]									
	BK120SP 1.0"										2BK110 2SS 1.0"										2BK100 2SS 1.0"									
Motor Sheave	Belt = B50										Belt = B48										Belt = B46									
Turns Open	0	1	2	3	4	5	6	0	1	2	0	1	2	3	4	5	0	1	2	0	1	2	3	4	5					
RPM	832	805	776	745	715	684	655	970	939	906	874	840	809	774	740	707	1063	1032	997	963	927	892	857	822	787					

NOTES: 1. Factory sheave settings are shown in bold type.
 2. Do not set motor sheave below minimum or maximum turns open shown.
 3. Re-adjustment of sheave required to achieve rated airflow at AHRI minimum External Static Pressure
 4. Drive data shown is for horizontal airflow with dry coil. Add component resistance (below) to duct resistance to determine total External Static Pressure.

[] Designates Metric Conversions



Airflow CFM [L/s]	AIRFLOW CORRECTION FACTORS *			COMPONENT AIRFLOW RESISTANCE Wet Coil Resistance Inches of Water [kPa]
	Total MBH	Sensible MBH	Power kW	
6200 [2926]	1.10	1.38	1.07	0.15 [.04]
6300 [2973]	1.11	1.40	1.07	0.15 [.04]
6400 [3020]	1.11	1.42	1.07	0.16 [.04]
6500 [3067]	1.11	1.44	1.08	0.16 [.04]
6600 [3114]	1.12	1.45	1.08	0.16 [.04]
6700 [3162]	1.12	1.47	1.08	0.16 [.04]
6800 [3209]	1.13	1.49	1.08	0.17 [.04]
6900 [3256]	1.13	1.51	1.09	0.17 [.04]
7000 [3303]	1.14	1.52	1.09	0.17 [.04]
7100 [3350]	1.14	1.54	1.09	0.18 [.04]
7200 [3398]	1.15	1.56	1.10	0.18 [.04]
7300 [3445]	1.15	1.57	1.10	0.18 [.04]
7400 [3492]	1.16	1.59	1.10	0.18 [.04]
7500 [3539]	1.16	1.61	1.10	0.19 [.05]
7600 [3586]	1.16	1.63	1.11	0.19 [.05]
7700 [3633]	1.17	1.64	1.11	0.19 [.05]
7800 [3681]	1.17	1.66	1.11	0.19 [.05]

* Multiply correction factor times gross performance data — resulting sensible capacity cannot exceed total capacity.

[] Designates Metric Conversions

PERFORMANCE DATA @ AHRI STANDARD CONDITIONS

MODEL NUMBERS		80°F [26.5°C] DB 67°F [19.5°C] WB INDOOR AIR 95°F [35°C] DB OUTDOOR AIR					RATED INDOOR CFM [L/s]
OUTDOOR UNIT RACL-	INDOOR COIL AND/OR AIR HANDLER	TOTAL CAPACITY BTU/H [kW]	NET SENSIBLE BTU/H [kW]	NET LATENT BTU/H [kW]	EER	IEER	
RACL2078	RHCLA2090	78000 [22.8]	54400 [15.9]	23600 [6.9]	11.2	12.9	2800
RACL2090	RHCLA2090	88000 [25.8]	62000 [18.2]	26000 [7.6]	11.2	12.9	2800
RACL2120	RHCLA2120	114000 [33.4]	83600 [24.5]	30400 [8.9]	11.2	12.9	3660
RACL2150	RHCLA2150	142000 [41.6]	108800 [31.9]	33200 [9.7]	11.0	12.4	4780
RACL2240	RHCLA2240	240000 [70.3]	163500 [47.9]	76500 [22.4]	10.0	11.6	7200

COOLING PERFORMANCE DATA—RACL2090+RHCLA2090

wDE		ENTERING INDOOR AIR @ 80°F [26.7°C] dBE ①										61°F [16.1°C]		59°F [15.0°C]		
		71°F [21.7°C]		67°F [19.4°C]		63°F [17.2°C]		3600 [1699]		3225 [1522]						2400 [1133]
CFM [L/s]		3600 [1699]	3225 [1522]	2400 [1133]	3600 [1699]	3225 [1522]	2400 [1133]	3600 [1699]	3225 [1522]	2400 [1133]	3600 [1699]	3225 [1522]	2400 [1133]	3600 [1699]	3225 [1522]	2400 [1133]
75°F [23.9°C]	Total BTUH [KW]	104.3 [30.6]	102.2 [29.9]	97.4 [28.5]	97.0 [28.4]	95.0 [27.8]	84.5 [24.8]	80.6 [23.6]	79.4 [23.3]	77.7 [22.8]	74.1 [21.7]	71.1 [20.8]	69.7 [20.4]	66.4 [19.5]	66.4 [19.5]	66.4 [19.5]
	Sens BTUH [KW]	66.6 [19.5]	63.1 [18.5]	55.6 [16.3]	73.7 [21.6]	69.9 [20.5]	61.5 [18.0]	68.0 [19.9]	59.8 [17.5]	66.8 [19.6]	63.4 [18.6]	59.3 [17.4]	56.2 [16.5]	49.5 [14.5]	56.2 [16.5]	49.5 [14.5]
	Power	7.2	7.1	6.9	6.6	6.6	6.4	6.0	5.9	5.8	5.7	5.5	5.5	5.3	5.5	5.3
80°F [26.7°C]	Total BTUH [KW]	102.5 [30.0]	100.4 [29.4]	95.7 [28.0]	95.1 [27.9]	93.1 [27.3]	88.8 [26.0]	82.7 [24.2]	77.5 [22.7]	75.9 [22.2]	72.4 [21.2]	69.3 [20.3]	67.9 [19.9]	64.7 [19.0]	67.9 [19.9]	64.7 [19.0]
	Sens BTUH [KW]	66.0 [19.3]	62.6 [18.3]	55.1 [16.2]	73.1 [21.4]	69.4 [20.3]	61.1 [17.9]	67.4 [19.8]	59.4 [17.4]	66.3 [19.4]	62.9 [18.4]	58.7 [17.2]	55.7 [16.3]	49.1 [14.4]	58.7 [17.2]	55.7 [16.3]
	Power	7.4	7.3	7.2	6.9	6.8	6.6	6.2	6.1	6.0	6.0	5.8	5.7	5.6	5.8	5.6
85°F [29.4°C]	Total BTUH [KW]	100.3 [29.4]	98.2 [28.8]	93.7 [27.4]	92.9 [27.2]	91.0 [26.7]	86.8 [25.4]	80.6 [23.6]	75.3 [22.1]	73.8 [21.6]	70.4 [20.6]	67.1 [19.7]	65.7 [19.3]	62.7 [18.4]	65.7 [19.3]	62.7 [18.4]
	Sens BTUH [KW]	65.2 [19.1]	61.8 [18.1]	54.4 [16.0]	72.3 [21.2]	68.6 [20.1]	60.4 [17.7]	66.7 [19.5]	58.7 [17.2]	65.5 [19.2]	62.1 [18.2]	57.9 [17.0]	54.9 [16.1]	48.4 [14.2]	65.5 [19.2]	62.1 [18.2]
	Power	7.7	7.6	7.5	7.2	7.1	6.9	6.5	6.4	6.3	6.3	6.0	6.0	6.0	6.0	6.0
90°F [32.2°C]	Total BTUH [KW]	97.8 [28.7]	95.8 [28.1]	91.3 [26.8]	90.4 [26.5]	88.6 [26.0]	84.5 [24.7]	78.1 [22.9]	74.5 [21.8]	72.9 [21.3]	68.0 [19.9]	64.6 [18.9]	63.3 [18.5]	60.3 [17.7]	63.3 [18.5]	60.3 [17.7]
	Sens BTUH [KW]	64.0 [18.8]	60.7 [17.8]	53.5 [15.7]	71.2 [20.9]	67.5 [19.8]	59.4 [17.4]	65.6 [19.2]	57.7 [16.9]	64.3 [18.9]	61.0 [17.9]	56.8 [16.6]	53.8 [15.8]	47.4 [13.9]	64.3 [18.9]	61.0 [17.9]
	Power	8.0	8.0	7.8	7.5	7.4	7.3	6.9	6.7	6.7	6.6	6.4	6.3	6.2	6.4	6.2
95°F [35°C]	Total BTUH [KW]	95.0 [27.8]	93.0 [27.3]	88.7 [26.0]	87.6 [25.7]	85.8 [25.2]	81.8 [24.0]	75.4 [22.1]	71.9 [21.1]	70.1 [20.5]	66.6 [20.1]	61.8 [18.1]	60.5 [17.7]	57.7 [16.9]	60.5 [17.7]	57.7 [16.9]
	Sens BTUH [KW]	62.6 [18.3]	59.4 [17.4]	52.3 [15.3]	69.7 [20.4]	66.1 [19.4]	58.2 [17.1]	64.2 [18.8]	56.5 [16.6]	62.9 [18.4]	59.7 [17.5]	55.3 [16.2]	52.5 [15.4]	46.2 [13.5]	62.9 [18.4]	59.7 [17.5]
	Power	8.4	8.4	8.2	7.9	7.8	7.6	7.3	7.1	7.1	7.0	6.8	6.7	6.6	6.7	6.6
100°F [37.8°C]	Total BTUH [KW]	91.9 [26.9]	90.0 [26.4]	85.8 [25.1]	84.5 [24.8]	82.8 [24.3]	78.9 [23.1]	72.3 [21.2]	69.0 [20.2]	66.9 [19.6]	62.5 [18.3]	58.7 [17.2]	57.5 [16.8]	54.8 [16.1]	66.9 [19.6]	62.5 [18.3]
	Sens BTUH [KW]	60.9 [17.8]	57.7 [16.9]	50.8 [14.9]	68.0 [19.9]	64.5 [18.9]	56.8 [16.6]	62.6 [18.3]	55.1 [16.1]	61.2 [17.9]	58.0 [17.0]	53.6 [15.7]	50.8 [14.9]	44.8 [13.1]	61.2 [17.9]	58.0 [17.0]
	Power	8.9	8.8	8.6	8.3	8.2	8.0	7.7	7.5	7.5	7.4	7.2	7.1	7.0	7.2	7.1
105°F [40.6°C]	Total BTUH [KW]	88.5 [25.9]	86.6 [25.4]	82.6 [24.2]	81.1 [23.8]	79.4 [23.3]	75.7 [22.2]	69.0 [20.2]	65.8 [19.3]	63.5 [18.6]	62.2 [18.2]	59.3 [17.4]	58.1 [15.9]	51.6 [15.1]	63.5 [18.6]	62.2 [18.2]
	Sens BTUH [KW]	58.8 [17.2]	55.8 [16.4]	49.1 [14.4]	65.9 [19.3]	62.6 [18.3]	55.1 [16.1]	60.6 [17.8]	53.4 [15.6]	59.1 [17.3]	56.1 [16.4]	49.4 [14.5]	48.9 [14.3]	43.1 [12.6]	59.1 [17.3]	56.1 [16.4]
	Power	9.4	9.3	9.1	8.8	8.7	8.5	8.2	8.0	8.0	7.9	7.7	7.6	7.4	7.7	7.6
110°F [43.3°C]	Total BTUH [KW]	84.7 [24.8]	83.0 [24.3]	79.1 [23.2]	77.3 [22.7]	75.7 [22.2]	72.2 [21.2]	65.3 [19.1]	62.2 [18.2]	59.7 [17.5]	55.8 [16.3]	51.5 [15.1]	50.4 [14.8]	48.1 [14.1]	59.7 [17.5]	55.8 [16.3]
	Sens BTUH [KW]	56.5 [16.6]	53.6 [15.7]	47.2 [13.8]	63.6 [18.6]	60.3 [17.7]	53.1 [15.6]	58.4 [17.1]	51.4 [15.1]	56.8 [16.6]	53.9 [15.8]	49.2 [14.4]	46.7 [13.7]	41.1 [12.0]	56.8 [16.6]	53.9 [15.8]
	Power	9.9	9.8	9.6	9.3	9.2	9.0	8.7	8.5	8.5	8.4	8.2	8.1	8.0	8.2	8.1
115°F [46.1°C]	Total BTUH [KW]	80.6 [23.6]	79.0 [23.1]	75.3 [22.1]	73.3 [21.5]	71.7 [21.0]	68.4 [20.0]	61.3 [18.0]	58.4 [17.1]	55.7 [16.3]	54.5 [16.0]	51.4 [15.1]	46.5 [13.6]	44.3 [13.0]	55.7 [16.3]	54.5 [16.0]
	Sens BTUH [KW]	53.9 [15.8]	51.1 [15.0]	45.0 [13.2]	61.0 [17.9]	57.8 [16.9]	50.9 [14.9]	58.9 [17.3]	55.9 [16.4]	54.1 [15.9]	51.4 [15.1]	46.6 [13.6]	44.2 [12.9]	38.9 [11.4]	54.1 [15.9]	51.4 [15.1]
	Power	10.5	10.4	10.1	9.9	9.8	9.6	9.4	9.3	9.1	9.0	8.8	8.7	8.5	8.8	8.7
120°F [48.9°C]	Total BTUH [KW]	76.2 [22.3]	74.7 [21.9]	71.2 [20.9]	68.9 [20.2]	67.5 [19.8]	64.3 [18.8]	57.0 [16.7]	54.4 [15.9]	51.3 [15.0]	50.2 [14.7]	43.1 [12.6]	42.2 [12.4]	40.2 [11.8]	68.9 [20.2]	67.5 [19.8]
	Sens BTUH [KW]	50.9 [14.9]	48.3 [14.2]	42.5 [12.5]	58.0 [17.0]	55.0 [16.1]	48.5 [14.2]	53.1 [15.6]	46.8 [13.7]	51.2 [15.0]	48.6 [14.2]	43.1 [12.6]	41.4 [12.1]	36.4 [10.7]	51.2 [15.0]	48.6 [14.2]
	Power	11.1	11.0	10.7	10.5	10.4	10.2	9.9	9.7	9.7	9.6	9.4	9.3	9.1	9.4	9.3
125°F [51.7°C]	Total BTUH [KW]	71.5 [21.1]	70.1 [20.5]	66.8 [19.6]	64.2 [18.8]	62.8 [18.4]	59.9 [17.6]	52.4 [15.4]	50.0 [14.6]	46.6 [13.7]	45.6 [13.4]	38.4 [11.2]	37.6 [11.0]	35.8 [10.5]	64.2 [18.4]	62.8 [18.4]
	Sens BTUH [KW]	47.7 [14.1]	45.2 [13.3]	39.8 [11.7]	54.8 [16.1]	52.0 [15.2]	45.8 [13.4]	50.1 [14.7]	44.1 [12.9]	46.6 [13.7]	45.5 [13.3]	40.1 [11.7]	37.6 [11.0]	33.7 [9.9]	46.6 [13.7]	45.5 [13.3]
	Power	11.8	11.7	11.4	11.2	11.1	10.9	10.6	10.3	10.4	10.3	10.1	10.0	9.8	10.1	10.0

DR — Depression ratio
 dBE — Entering air dry bulb
 wDE — Entering air wet bulb

NOTES:
 ① Total capacity x 1000 BTUH
 Sens — Sensible capacity x 1000 BTUH
 Power — KW input

② When the entering air dry bulb is other than 80°F [27°C], adjust the sensible capacity from the table by adding [1.10 x CFM x (1 – DR) x (dBE – 80)].

[] Designates Metric Conversions



Air

Performance Data
RHCLA Series

COOLING PERFORMANCE DATA—RACL2120+RHCLA2120

WBE		ENTERING INDOOR AIR @ 80°F [26.7°C] dbE ①											
		71°F [21.7°C]		67°F [19.4°C]		63°F [17.2°C]		61°F [16.1°C]		59°F [15.0°C]			
CFM [L/s]		4560 [2152]	3400 [1605]	3040 [1435]	4560 [2152]	3400 [1605]	3040 [1435]	4560 [2152]	3400 [1605]	3040 [1435]	4560 [2152]	3400 [1605]	3040 [1435]
DR ①		0.08	0.02	-0.01	0.08	0.02	-0.01	0.08	0.02	-0.01	0.08	0.02	-0.01
75°F (23.9°C)	Total BTUH [kW]	145.0 [42.5]	136.5 [40.0]	133.9 [39.2]	127.2 [37.3]	124.8 [36.6]	115.3 [33.8]	119.6 [35.0]	114.2 [33.5]	110.4 [32.4]	114.2 [33.5]	107.6 [31.5]	105.5 [30.9]
	Sens BTUH [kW]	90.4 [26.5]	78.0 [22.9]	74.1 [21.7]	106.6 [31.2]	92.0 [27.0]	87.4 [25.6]	96.6 [28.3]	119.6 [35.0]	104.0 [30.5]	98.9 [29.0]	104.4 [30.6]	99.3 [29.1]
	Power	8.0	7.8	7.7	8.0	7.7	7.6	7.6	7.8	7.6	7.5	7.8	7.6
80°F (26.7°C)	Total BTUH [kW]	142.6 [41.8]	134.3 [39.4]	131.7 [38.6]	125.0 [36.6]	122.6 [35.9]	113.1 [33.1]	117.2 [34.3]	110.4 [32.3]	108.2 [31.7]	111.9 [32.8]	105.3 [30.9]	103.3 [30.3]
	Sens BTUH [kW]	89.4 [26.2]	77.1 [22.6]	73.3 [21.5]	105.6 [31.0]	91.1 [26.7]	86.6 [25.4]	95.7 [28.1]	117.2 [34.3]	103.2 [30.2]	98.1 [28.7]	103.6 [30.3]	98.4 [28.8]
	Power	8.4	8.1	8.1	8.3	8.1	8.0	7.9	8.2	8.0	7.9	7.9	7.9
85°F (29.4°C)	Total BTUH [kW]	140.0 [41.0]	131.8 [38.6]	129.3 [37.9]	122.5 [35.9]	120.1 [35.2]	110.7 [32.4]	114.6 [33.6]	107.9 [31.6]	105.2 [30.8]	109.2 [32.0]	102.8 [30.1]	100.9 [29.6]
	Sens BTUH [kW]	88.3 [25.9]	76.2 [22.3]	72.4 [21.2]	104.5 [30.6]	90.2 [26.4]	85.7 [25.1]	94.8 [27.8]	114.6 [33.6]	102.2 [30.0]	97.2 [28.5]	102.6 [30.1]	97.5 [28.6]
	Power	8.8	8.5	8.4	8.7	8.5	8.4	8.3	8.6	8.4	8.3	8.3	8.2
90°F (32.2°C)	Total BTUH [kW]	137.1 [40.2]	129.1 [37.8]	126.6 [37.1]	121.2 [37.3]	119.8 [35.1]	117.5 [34.4]	108.0 [31.6]	111.7 [32.7]	105.2 [30.8]	106.3 [31.2]	100.1 [29.3]	98.2 [28.8]
	Sens BTUH [kW]	87.1 [25.5]	75.1 [22.0]	71.4 [20.9]	103.3 [30.3]	89.1 [26.1]	84.7 [24.8]	93.8 [27.5]	111.7 [32.7]	101.1 [29.6]	96.1 [28.2]	100.1 [29.3]	96.5 [28.3]
	Power	9.2	8.9	8.9	9.1	8.9	8.8	8.7	9.0	8.8	8.7	8.7	8.7
95°F (35°C)	Total BTUH [kW]	134.0 [39.3]	126.2 [37.0]	123.7 [36.3]	124.1 [36.4]	116.8 [34.2]	114.6 [33.6]	105.1 [30.8]	108.5 [31.8]	102.2 [30.0]	103.2 [29.4]	97.2 [28.5]	95.3 [27.9]
	Sens BTUH [kW]	85.7 [25.1]	73.9 [21.7]	70.3 [20.6]	101.9 [29.9]	87.9 [25.8]	83.6 [24.5]	92.7 [27.2]	108.5 [31.8]	100.0 [29.3]	95.0 [27.8]	97.2 [28.5]	95.3 [27.9]
	Power	9.7	9.4	9.3	9.6	9.3	9.2	9.2	9.5	9.2	9.1	9.5	9.1
100°F (37.8°C)	Total BTUH [kW]	130.6 [38.3]	123.0 [36.0]	120.6 [35.3]	120.7 [35.4]	113.6 [33.3]	111.4 [32.7]	102.0 [29.9]	105.2 [30.8]	99.0 [29.0]	99.8 [29.2]	94.0 [27.5]	92.2 [27.0]
	Sens BTUH [kW]	84.2 [24.7]	72.6 [21.3]	69.0 [20.2]	100.4 [29.4]	86.6 [25.4]	82.4 [24.1]	91.5 [26.8]	105.2 [30.8]	98.7 [28.9]	93.8 [27.5]	94.0 [27.5]	92.2 [27.0]
	Power	10.2	9.9	9.8	10.1	9.8	9.7	9.6	10.0	9.7	9.6	10.0	9.7
105°F (40.6°C)	Total BTUH [kW]	126.9 [37.2]	119.5 [35.0]	117.2 [34.4]	117.0 [34.3]	110.2 [32.3]	108.1 [31.7]	98.6 [28.9]	101.5 [29.7]	95.6 [28.0]	96.2 [28.2]	90.5 [26.5]	88.8 [26.0]
	Sens BTUH [kW]	82.6 [24.2]	71.2 [20.9]	67.7 [19.8]	98.8 [29.0]	85.2 [25.0]	81.0 [23.7]	90.2 [26.4]	101.5 [29.7]	95.6 [28.0]	92.5 [27.1]	90.5 [26.5]	88.8 [26.0]
	Power	10.7	10.4	10.3	10.6	10.3	10.2	10.2	10.5	10.2	10.1	10.5	10.1
110°F (43.3°C)	Total BTUH [kW]	123.0 [36.1]	115.9 [33.9]	113.6 [33.3]	113.1 [33.2]	106.5 [31.2]	104.5 [30.6]	95.0 [27.8]	97.6 [28.6]	91.9 [26.9]	90.1 [26.4]	86.9 [25.5]	85.2 [25.0]
	Sens BTUH [kW]	80.8 [23.7]	69.7 [20.4]	66.3 [19.4]	97.1 [28.4]	83.7 [24.5]	79.6 [23.3]	88.7 [26.0]	97.6 [28.6]	91.9 [26.9]	90.1 [26.4]	86.9 [25.5]	85.2 [25.0]
	Power	11.3	10.9	10.8	11.2	10.9	10.8	10.7	11.1	10.8	10.7	11.1	10.7
115°F (46.1°C)	Total BTUH [kW]	118.9 [34.8]	111.9 [32.8]	109.8 [32.2]	109.0 [31.9]	102.6 [30.1]	100.6 [29.5]	91.2 [26.7]	93.5 [27.4]	88.0 [25.8]	86.3 [25.3]	83.0 [24.3]	81.4 [23.8]
	Sens BTUH [kW]	79.0 [23.1]	68.1 [20.0]	64.8 [19.0]	95.2 [27.9]	82.1 [24.1]	78.1 [22.9]	87.2 [25.6]	93.5 [27.4]	88.0 [25.8]	86.3 [25.3]	83.0 [24.3]	81.4 [23.8]
	Power	11.9	11.5	11.4	11.8	11.4	11.3	11.3	11.7	11.3	11.2	11.6	11.2
120°F (48.9°C)	Total BTUH [kW]	114.5 [33.5]	107.8 [31.6]	105.7 [31.0]	104.6 [30.6]	98.5 [28.9]	96.6 [28.3]	87.1 [25.5]	89.0 [26.1]	83.8 [24.6]	82.2 [24.1]	77.3 [22.6]	77.3 [22.6]
	Sens BTUH [kW]	77.0 [22.6]	66.4 [19.5]	63.1 [18.5]	93.2 [27.3]	80.4 [23.6]	76.5 [22.4]	85.6 [25.1]	89.0 [26.1]	83.8 [24.6]	82.2 [24.1]	77.3 [22.6]	77.3 [22.6]
	Power	12.5	12.1	12.0	12.4	12.0	11.9	11.9	12.3	11.9	11.8	12.3	11.9
125°F (51.7°C)	Total BTUH [kW]	109.8 [32.2]	103.4 [30.3]	101.4 [29.7]	99.9 [29.3]	94.1 [27.6]	92.3 [27.0]	82.8 [24.3]	84.4 [24.7]	79.5 [23.3]	77.9 [22.8]	74.4 [21.8]	73.0 [21.4]
	Sens BTUH [kW]	74.9 [21.9]	64.6 [18.9]	61.4 [18.0]	91.1 [26.7]	78.6 [23.0]	74.7 [21.9]	82.8 [24.3]	84.4 [24.7]	79.5 [23.3]	77.9 [22.8]	74.4 [21.8]	73.0 [21.4]
	Power	13.1	12.8	12.6	13.1	12.7	12.6	12.5	13.0	12.6	12.5	12.9	12.6

OUTDOOR DRY BULB TEMPERATURE °F [°C]

DR —Depression ratio
 dbE —Entering air dry bulb
 WBE—Entering air wet bulb

Total —Total capacity x 1000 BTUH
 Sens —Sensible capacity x 1000 BTUH
 Power —KW input

NOTES:
 ① When the entering air dry bulb is other than 80°F [27°C], adjust the sensible capacity from the table by adding [1.10 x CFM x (1 - DR) x (dbE - 80)].

[] Designates Metric Conversions



COOLING PERFORMANCE DATA—RACL2150+RHCLA2150

wDE		ENTERING INDOOR AIR @ 80°F [26.7°C] dBE ①														
		71°F [21.7°C]			67°F [19.4°C]			63°F [17.2°C]			61°F [16.1°C]			59°F [15.0°C]		
		6000 [2632]	5000 [2360]	4000 [1888]	6000 [2632]	5000 [2360]	4000 [1888]	6000 [2632]	5000 [2360]	4000 [1888]	6000 [2632]	5000 [2360]	4000 [1888]	6000 [2632]	5000 [2360]	4000 [1888]
CFM [L/s]		0.07	0.02	-0.04	0.07	0.02	0.02	0.07	0.02	0.02	0.07	0.02	0.02	0.07	0.02	0.02
DR ①		-0.04	0.02	-0.04	0.07	0.02	0.02	0.07	0.02	0.02	0.07	0.02	0.02	0.07	0.02	0.02
75°F [23.9°C]	Total BTUH [KW]	175.3 [51.4]	169.2 [49.6]	163.0 [47.8]	167.1 [49.0]	155.3 [45.5]	158.7 [46.5]	152.9 [44.8]	152.9 [44.8]	152.9 [44.8]	152.9 [44.8]	152.9 [44.8]	152.9 [44.8]	152.9 [44.8]	152.9 [44.8]	152.9 [44.8]
	Sens BTUH [KW]	113.6 [33.3]	103.9 [30.4]	94.2 [27.6]	134.3 [39.3]	111.3 [32.6]	137.0 [40.1]	124.2 [36.4]	124.2 [36.4]	124.2 [36.4]	124.2 [36.4]	124.2 [36.4]	124.2 [36.4]	124.2 [36.4]	124.2 [36.4]	124.2 [36.4]
	Power	10.0	9.8	9.6	9.9	9.5	9.6	9.8	9.4	9.4	9.4	9.4	9.4	9.4	9.4	9.4
80°F [26.7°C]	Total BTUH [KW]	172.5 [50.6]	166.5 [48.8]	160.4 [47.0]	164.2 [48.1]	158.5 [46.4]	152.7 [44.7]	150.3 [44.0]	150.3 [44.0]	150.3 [44.0]	150.3 [44.0]	150.3 [44.0]	150.3 [44.0]	150.3 [44.0]	150.3 [44.0]	150.3 [44.0]
	Sens BTUH [KW]	114.2 [33.5]	104.5 [30.6]	94.7 [27.8]	134.9 [39.5]	111.8 [32.8]	137.6 [40.3]	124.7 [36.6]	124.7 [36.6]	124.7 [36.6]	124.7 [36.6]	124.7 [36.6]	124.7 [36.6]	124.7 [36.6]	124.7 [36.6]	124.7 [36.6]
	Power	10.5	10.3	10.1	10.3	10.0	10.2	9.9	9.9	9.9	9.9	9.9	9.9	9.9	9.9	9.9
85°F [29.4°C]	Total BTUH [KW]	169.3 [49.6]	163.4 [47.9]	157.4 [46.1]	161.0 [47.2]	155.4 [45.5]	149.7 [43.9]	147.3 [43.2]	147.3 [43.2]	147.3 [43.2]	147.3 [43.2]	147.3 [43.2]	147.3 [43.2]	147.3 [43.2]	147.3 [43.2]	147.3 [43.2]
	Sens BTUH [KW]	113.9 [33.4]	104.2 [30.5]	94.5 [27.7]	134.6 [39.4]	111.6 [32.7]	137.3 [40.2]	124.5 [36.5]	124.5 [36.5]	124.5 [36.5]	124.5 [36.5]	124.5 [36.5]	124.5 [36.5]	124.5 [36.5]	124.5 [36.5]	124.5 [36.5]
	Power	11.0	10.8	10.6	10.8	10.5	10.7	10.5	10.4	10.4	10.4	10.4	10.4	10.4	10.4	10.4
90°F [32.2°C]	Total BTUH [KW]	165.8 [48.6]	159.9 [46.9]	154.1 [45.2]	157.5 [46.1]	151.9 [44.5]	146.4 [43.8]	144.0 [42.2]	144.0 [42.2]	144.0 [42.2]	144.0 [42.2]	144.0 [42.2]	144.0 [42.2]	144.0 [42.2]	144.0 [42.2]	144.0 [42.2]
	Sens BTUH [KW]	112.7 [33.0]	103.0 [30.2]	93.4 [27.4]	133.3 [39.1]	110.6 [32.4]	148.9 [43.6]	123.4 [36.2]	123.4 [36.2]	123.4 [36.2]	123.4 [36.2]	123.4 [36.2]	123.4 [36.2]	123.4 [36.2]	123.4 [36.2]	123.4 [36.2]
	Power	11.5	11.3	11.1	11.4	11.2	11.3	11.1	10.9	10.9	10.9	10.9	10.9	10.9	10.9	10.9
95°F [35°C]	Total BTUH [KW]	161.8 [47.4]	156.2 [45.8]	150.5 [44.1]	153.6 [45.0]	148.2 [43.4]	142.8 [41.8]	140.4 [41.1]	140.4 [41.1]	140.4 [41.1]	140.4 [41.1]	140.4 [41.1]	140.4 [41.1]	140.4 [41.1]	140.4 [41.1]	140.4 [41.1]
	Sens BTUH [KW]	110.5 [32.4]	101.1 [29.6]	91.6 [26.8]	131.2 [38.4]	108.8 [31.9]	146.7 [43.0]	121.6 [35.6]	121.6 [35.6]	121.6 [35.6]	121.6 [35.6]	121.6 [35.6]	121.6 [35.6]	121.6 [35.6]	121.6 [35.6]	121.6 [35.6]
	Power	12.1	11.9	11.7	12.0	11.8	11.9	11.7	11.5	11.5	11.5	11.5	11.5	11.5	11.5	11.5
100°F [37.8°C]	Total BTUH [KW]	157.6 [46.2]	152.0 [44.6]	146.5 [42.9]	149.3 [43.7]	144.0 [42.2]	138.8 [40.7]	136.4 [40.0]	136.4 [40.0]	136.4 [40.0]	136.4 [40.0]	136.4 [40.0]	136.4 [40.0]	136.4 [40.0]	136.4 [40.0]	136.4 [40.0]
	Sens BTUH [KW]	107.4 [31.5]	98.2 [28.8]	89.1 [26.1]	128.1 [37.5]	117.1 [34.3]	106.2 [31.1]	143.6 [42.1]	119.1 [34.9]	119.1 [34.9]	119.1 [34.9]	119.1 [34.9]	119.1 [34.9]	119.1 [34.9]	119.1 [34.9]	119.1 [34.9]
	Power	12.7	12.5	12.3	12.6	12.4	12.2	12.3	12.1	12.1	12.1	12.1	12.1	12.1	12.1	12.1
105°F [40.6°C]	Total BTUH [KW]	152.9 [44.8]	147.6 [43.2]	142.2 [41.7]	144.7 [42.4]	139.6 [40.9]	134.5 [39.4]	132.1 [38.7]	132.1 [38.7]	132.1 [38.7]	132.1 [38.7]	132.1 [38.7]	132.1 [38.7]	132.1 [38.7]	132.1 [38.7]	132.1 [38.7]
	Sens BTUH [KW]	103.4 [30.3]	94.5 [27.7]	85.7 [25.1]	124.0 [36.3]	113.4 [33.2]	102.8 [30.1]	139.6 [40.9]	115.7 [33.9]	115.7 [33.9]	115.7 [33.9]	115.7 [33.9]	115.7 [33.9]	115.7 [33.9]	115.7 [33.9]	115.7 [33.9]
	Power	13.4	13.2	12.9	13.3	13.1	12.8	13.2	12.7	12.7	12.7	12.7	12.7	12.7	12.7	12.7
110°F [43.3°C]	Total BTUH [KW]	148.0 [43.4]	142.8 [41.8]	137.6 [40.3]	139.7 [40.9]	134.8 [39.5]	129.9 [38.1]	127.5 [37.4]	127.5 [37.4]	127.5 [37.4]	127.5 [37.4]	127.5 [37.4]	127.5 [37.4]	127.5 [37.4]	127.5 [37.4]	127.5 [37.4]
	Sens BTUH [KW]	98.4 [28.8]	90.0 [26.4]	81.6 [23.9]	119.1 [34.9]	108.9 [31.9]	98.7 [28.9]	134.6 [39.4]	111.6 [32.7]	111.6 [32.7]	111.6 [32.7]	111.6 [32.7]	111.6 [32.7]	111.6 [32.7]	111.6 [32.7]	111.6 [32.7]
	Power	14.1	13.9	13.6	14.0	13.8	13.5	13.9	13.4	13.4	13.4	13.4	13.4	13.4	13.4	13.4
115°F [46.1°C]	Total BTUH [KW]	142.6 [41.8]	137.6 [40.3]	132.6 [38.9]	134.3 [39.4]	129.6 [38.0]	124.9 [36.6]	122.5 [35.9]	122.5 [35.9]	122.5 [35.9]	122.5 [35.9]	122.5 [35.9]	122.5 [35.9]	122.5 [35.9]	122.5 [35.9]	122.5 [35.9]
	Sens BTUH [KW]	92.5 [27.1]	84.6 [24.8]	76.7 [22.5]	113.2 [33.2]	103.5 [30.3]	93.8 [27.5]	128.7 [37.7]	106.7 [31.3]	106.7 [31.3]	106.7 [31.3]	106.7 [31.3]	106.7 [31.3]	106.7 [31.3]	106.7 [31.3]	106.7 [31.3]
	Power	14.9	14.6	14.3	14.7	14.5	14.2	14.6	14.1	14.1	14.1	14.1	14.1	14.1	14.1	14.1
120°F [48.9°C]	Total BTUH [KW]	136.9 [40.1]	132.1 [38.7]	127.3 [37.3]	128.6 [37.7]	124.1 [36.4]	119.6 [35.0]	117.2 [34.3]	117.2 [34.3]	117.2 [34.3]	117.2 [34.3]	117.2 [34.3]	117.2 [34.3]	117.2 [34.3]	117.2 [34.3]	117.2 [34.3]
	Sens BTUH [KW]	85.7 [25.1]	78.3 [23.0]	71.0 [20.8]	106.3 [31.2]	97.3 [28.5]	88.2 [25.8]	121.9 [35.7]	101.1 [29.6]	101.1 [29.6]	101.1 [29.6]	101.1 [29.6]	101.1 [29.6]	101.1 [29.6]	101.1 [29.6]	101.1 [29.6]
	Power	15.7	15.4	15.1	15.5	15.3	15.0	15.4	14.9	14.9	14.9	14.9	14.9	14.9	14.9	14.9
125°F [51.7°C]	Total BTUH [KW]	130.9 [38.3]	126.3 [37.0]	121.7 [35.7]	122.6 [35.9]	118.3 [34.7]	114.0 [33.4]	111.6 [32.7]	111.6 [32.7]	111.6 [32.7]	111.6 [32.7]	111.6 [32.7]	111.6 [32.7]	111.6 [32.7]	111.6 [32.7]	111.6 [32.7]
	Sens BTUH [KW]	77.9 [22.8]	71.2 [20.9]	64.6 [18.9]	98.6 [28.9]	90.2 [26.4]	81.7 [24.0]	114.1 [33.4]	94.6 [27.7]	94.6 [27.7]	94.6 [27.7]	94.6 [27.7]	94.6 [27.7]	94.6 [27.7]	94.6 [27.7]	94.6 [27.7]
	Power	16.5	16.2	15.9	16.4	16.1	15.8	16.2	15.7	15.7	15.7	15.7	15.7	15.7	15.7	15.7

NOTES:

 Total —Total capacity x 1000 BTUH
 Sens —Sensible capacity x 1000 BTUH
 Power —KW input

① When the entering air dry bulb is other than 80°F [27°C], adjust the sensible capacity

from the table by adding [1.10 x CFM x (1 - DR) x (dBE - 80)].

DR —Depression ratio

dBE —Entering air dry bulb

wDE —Entering air wet bulb



Air

Performance Data
RHCLA Series

COOLING PERFORMANCE DATA—RACL2240+RHCLA2240

WBE		ENTERING INDOOR AIR @ 80°F [26.7°C] dbE ①											
		71°F [21.7°C]		67°F [19.4°C]		63°F [17.2°C]		61°F [16.1°C]		59°F [15.0°C]			
CFM [L/s]		8640 [4078]	7200 [3398]	5760 [2718]	8640 [4078]	7200 [3398]	5760 [2718]	8640 [4078]	7200 [3398]	5760 [2718]	8640 [4078]	7200 [3398]	5760 [2718]
DR ①		0.11	0.08	0.04	0.11	0.08	0.04	0.11	0.08	0.04	0.11	0.08	0.04
75°F [23.9°C]	Total BTUH [kW]	329.1 [96.4]	317.5 [93.0]	306.0 [89.7]	308.1 [90.3]	297.3 [87.1]	286.5 [84.0]	289.6 [84.9]	279.4 [81.9]	269.3 [78.9]	281.7 [82.6]	271.8 [79.7]	262.0 [76.8]
	Sens BTUH [kW]	195.9 [57.4]	179.2 [52.5]	162.5 [47.6]	227.9 [66.8]	208.5 [61.1]	189.0 [55.4]	253.3 [74.2]	231.6 [67.9]	210.0 [61.5]	262.3 [76.9]	239.9 [70.3]	217.5 [63.7]
	Power	238.6	234.5	230.4	238.3	234.1	230.0	237.9	233.8	229.7	237.6	233.6	229.5
80°F [26.7°C]	Total BTUH [kW]	314.8 [92.3]	303.8 [89.0]	292.7 [85.8]	293.9 [86.1]	283.6 [83.1]	273.3 [80.1]	275.4 [80.7]	265.7 [77.9]	256.0 [75.0]	267.5 [78.4]	258.1 [75.6]	248.7 [72.9]
	Sens BTUH [kW]	187.0 [54.8]	171.0 [50.1]	155.1 [45.4]	219.0 [64.2]	200.3 [58.7]	181.6 [53.2]	244.3 [71.6]	223.5 [65.5]	202.6 [59.4]	253.4 [74.3]	231.8 [67.9]	210.1 [61.6]
	Power	239.3	235.2	231.0	239.0	234.8	230.7	238.6	234.5	230.3	238.3	234.3	230.2
85°F [29.4°C]	Total BTUH [kW]	301.7 [88.4]	291.1 [85.3]	280.5 [82.2]	280.7 [82.3]	270.9 [79.4]	261.0 [76.5]	262.2 [76.8]	253.0 [74.1]	243.8 [71.4]	254.3 [74.5]	245.4 [71.9]	236.5 [69.3]
	Sens BTUH [kW]	178.9 [52.4]	163.6 [47.9]	148.3 [43.5]	210.9 [61.8]	192.9 [56.5]	174.9 [51.3]	236.2 [69.2]	216.1 [63.3]	195.9 [57.4]	245.3 [71.9]	224.3 [65.7]	203.4 [59.6]
	Power	240.1	236.0	231.8	239.8	235.6	231.5	239.4	235.3	231.1	239.2	235.1	230.9
90°F [32.2°C]	Total BTUH [kW]	289.5 [84.8]	279.4 [81.9]	268.7 [78.7]	268.6 [78.7]	259.2 [75.9]	249.8 [73.2]	250.1 [73.3]	241.3 [70.7]	232.5 [68.1]	242.2 [71.0]	233.7 [68.5]	225.2 [66.0]
	Sens BTUH [kW]	171.6 [50.3]	156.9 [46.0]	142.3 [41.7]	203.6 [59.7]	186.2 [54.6]	168.9 [49.5]	228.9 [67.1]	209.4 [61.4]	189.8 [55.6]	238.0 [69.7]	217.7 [63.8]	197.4 [57.8]
	Power	241.0	236.9	232.7	240.7	236.5	232.3	240.3	236.2	232.0	240.1	236.0	231.8
95°F [35°C]	Total BTUH [kW]	278.5 [81.6]	268.7 [78.7]	259.0 [75.9]	257.6 [75.5]	248.5 [72.8]	239.5 [70.2]	239.0 [70.0]	230.6 [67.6]	222.3 [65.1]	231.2 [67.7]	223.0 [65.4]	214.9 [63.0]
	Sens BTUH [kW]	165.1 [48.4]	151.0 [44.3]	136.9 [40.1]	197.1 [57.8]	180.3 [52.8]	163.5 [47.9]	222.5 [65.2]	203.5 [59.6]	184.5 [54.1]	231.2 [67.7]	211.7 [62.1]	192.0 [56.3]
	Power	242.1	237.9	233.7	241.7	237.5	233.3	241.3	237.2	233.0	241.2	237.0	232.8
100°F [37.8°C]	Total BTUH [kW]	268.5 [78.7]	259.1 [75.9]	249.7 [73.2]	247.6 [72.5]	238.9 [70.0]	230.2 [67.5]	229.0 [67.1]	221.0 [64.8]	213.0 [62.4]	221.2 [64.8]	214.5 [62.5]	205.6 [60.3]
	Sens BTUH [kW]	159.5 [46.7]	145.8 [42.7]	132.2 [38.7]	191.5 [56.1]	175.1 [51.3]	158.8 [46.5]	216.8 [63.5]	198.3 [58.1]	179.8 [52.7]	221.2 [64.8]	206.6 [60.5]	187.3 [54.9]
	Power	243.2	239.0	234.7	242.8	238.6	234.4	242.5	238.3	234.1	242.3	238.1	233.9
105°F [40.6°C]	Total BTUH [kW]	259.6 [76.1]	250.5 [73.4]	241.4 [70.7]	238.6 [69.9]	230.3 [67.5]	221.9 [65.0]	220.1 [64.5]	212.4 [62.2]	204.7 [60.0]	212.2 [62.2]	204.8 [60.0]	197.4 [57.8]
	Sens BTUH [kW]	154.6 [45.3]	141.4 [41.4]	128.2 [37.6]	186.6 [54.7]	170.7 [50.0]	154.8 [45.4]	212.0 [62.1]	193.9 [56.8]	175.8 [51.5]	212.2 [62.2]	202.1 [59.2]	183.3 [53.7]
	Power	244.4	240.2	235.9	244.1	239.8	235.6	243.7	239.5	235.2	243.5	239.3	235.1
110°F [43.3°C]	Total BTUH [kW]	251.7 [73.8]	242.9 [71.2]	234.1 [68.6]	230.8 [67.6]	222.7 [65.3]	214.6 [62.9]	212.3 [62.2]	204.8 [59.9]	197.2 [57.8]	204.4 [59.9]	197.2 [57.8]	190.0 [55.7]
	Sens BTUH [kW]	150.6 [44.1]	137.7 [40.4]	124.9 [36.6]	182.6 [53.5]	167.0 [48.9]	151.4 [44.4]	207.9 [60.9]	190.2 [55.7]	172.4 [50.5]	204.4 [59.9]	197.2 [57.8]	179.9 [52.7]
	Power	245.8	241.5	237.2	245.4	241.1	236.9	245.0	240.8	240.8	244.9	240.6	236.4
115°F [46.1°C]	Total BTUH [kW]	244.9 [71.8]	236.3 [69.3]	227.7 [66.7]	224.0 [65.6]	216.1 [63.3]	208.3 [61.0]	205.5 [60.2]	198.3 [58.1]	191.0 [56.0]	197.6 [57.9]	190.7 [55.9]	183.7 [53.8]
	Sens BTUH [kW]	147.4 [43.2]	134.8 [39.5]	122.2 [35.8]	179.4 [52.6]	164.1 [48.1]	148.8 [43.6]	204.7 [60.0]	187.2 [54.9]	169.8 [49.7]	197.6 [57.9]	190.7 [55.9]	177.3 [51.9]
	Power	247.2	242.9	238.6	246.8	242.6	238.3	246.5	242.2	237.9	246.3	242.0	237.8
120°F [48.9°C]	Total BTUH [kW]	239.2 [70.1]	230.8 [67.6]	222.4 [65.2]	218.2 [64.0]	210.6 [61.7]	202.9 [59.5]	199.7 [58.5]	192.7 [56.5]	185.7 [54.4]	191.8 [56.2]	185.1 [54.2]	178.4 [52.3]
	Sens BTUH [kW]	145.0 [42.5]	132.6 [38.9]	120.2 [35.2]	177.0 [51.9]	161.9 [47.4]	146.8 [43.0]	193.7 [58.5]	185.0 [54.2]	167.8 [49.2]	191.8 [56.2]	185.1 [54.2]	175.3 [51.4]
	Power	248.8	244.4	240.1	248.4	244.1	239.8	248.0	243.7	239.4	247.9	243.6	239.3
125°F [51.7°C]	Total BTUH [kW]	234.5 [68.7]	226.3 [66.3]	218.1 [63.9]	213.6 [62.6]	206.1 [60.4]	198.6 [58.2]	195.1 [57.2]	188.2 [55.2]	181.4 [53.1]	187.2 [54.9]	180.6 [52.9]	174.0 [51.0]
	Sens BTUH [kW]	143.4 [42.0]	131.1 [38.4]	118.9 [34.8]	175.4 [51.4]	160.4 [47.0]	145.5 [42.6]	195.1 [57.2]	183.6 [53.8]	166.5 [48.8]	187.2 [54.9]	180.6 [52.9]	174.0 [51.0]
	Power	250.4	246.1	241.7	250.1	245.7	241.4	249.7	245.4	241.0	249.5	245.2	240.9

OUTDOOR DRY BULB TEMPERATURE °F [°C]

DR —Depression ratio

dbE —Entering air dry bulb

WBE—Entering air wet bulb

NOTES:

① When the entering air dry bulb is other than 80°F [27°C], adjust the sensible capacity

from the table by adding [1.10 x CFM x (1 - DR) x (dbE - 80)].

Total —Total capacity x 1000 BTUH

Sens —Sensible capacity x 1000 BTUH

Power —KW input



**ELECTRICAL DATA—WITHOUT ELECTRIC HEAT**

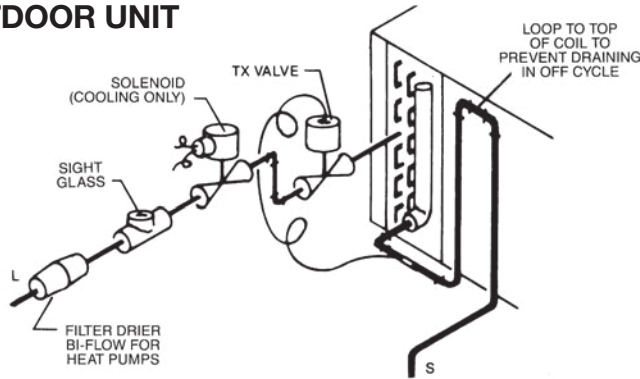
MODEL NUMBER	DRIVE PACKAGE	AIR HANDLER MOTOR					MINIMUM CIRCUIT AMPACITY	RECOMMENDED MINIMUM COPPER WIRE SIZE/ MAX. RUN IN FEET	MAXIMUM OVERCURRENT PROTECTION AMPS
		HP	VOLTS	PHASE	RATING PLATE AMPS	MOTOR LRA			
AC									
RHCLA2090C	R,S	2	208/230	3	6.2	47	15	#14 / 165	15
RHCLA2090D	R,S	2	460	3	3	24	15	#14 / 275	15
RHCLA2090C	T	3	208/230	3	9.2	74.5	15	#14 / 135	15
RHCLA2090D	T	3	460	3	4.6	38.1	15	#14 / 230	15
RHCLA2120C	R,S	2	208/230	3	6.2	47	15	#14 / 165	15
RHCLA2120D	R,S	2	460	3	3	24	15	#14 / 275	15
RHCLA2120C	T	3	208/230	3	9.2	74.5	15	#14 / 135	15
RHCLA2120D	T	3	460	3	4.6	38.1	15	#14 / 230	15
RHCLA2150C	R	2	208/230	3	5.8	56.0	15	#14/165	15
RHCLA2150D	R	2	460	3	2.9	28.4	15	#14/275	15
RHCLA2150C	S	3	208/230	3	8.7	56.0	15	#14/135	15
RHCLA2150D	S	3	460	3	4.1	28.4	15	#14/230	15
RHCLA2150C	T	5	208/230	3	13.6-12.6	86-95	15	#10/240/#12/150	15
RHCLA2150D	T	5	460	3	6.3	47.5	15	#14/185	15
RHCLA2240C	R	5	208/230	3	13.6-12.6	86-95	15	#10/240/#12/150	15
RHCLA2240D	R	5	460	3	6.3	47.5	15	#14/185	15
RHCLA2240C	S, T	7.5	208/230	3	21.0-19.2	115-127	15	#10/150	15
RHCLA2240D	S, T	7.5	460	3	9.6	63.5	15	#14-135	15

ELECTRICAL DATA—WITH ELECTRIC HEAT

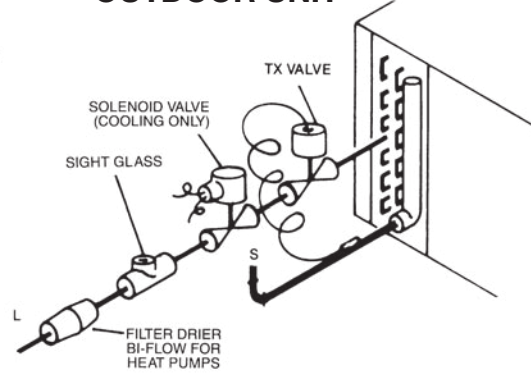
MODEL NUMBER	HEATER KIT				HEATING CAPACITY		MIN. CIRCUIT AMPACITY	MAX FUSE OR HACR BREAKER SIZE
	MODEL	VOLTAGE	kW	AMPS	kW	MBH		
AC								
RHCLA2090C	RXHE-DE020CA	208/240	20	43.1/48.9	15.6/20.2	53.2/68.9	67/73	70/80
RHCLA2090C	RXHE-DE030CA	208/240	30	60.8/70.2	11.0/29.6	75.1/101	89/100	90/100
RHCLA2090D	RXHE-DE020DA	480	20	24.7	20.2	68.9	37	40
RHCLA2090D	RXHE-DE030DA	480	30	35	29.7	101.3	50	50
RHCLA2120C	RXHE-DE020CA	208/240	20	43.1/48.9	15.6/20.2	53.2/68.9	67/73	70/80
RHCLA2120C	RXHE-DE030CA	208/240	30	60.8/70.2	11.0/29.6	75.1/101	89/100	90/100
RHCLA2120D	RXHE-DE020DA	480	20	24.7	20.2	68.9	37	40
RHCLA2120D	RXHE-DE030DA	480	30	35	29.7	101.3	50	50
RHCLA2150C	RXHE-CE030CC	208/230	30	60/70	21.6/28.8	73.7/98.3	105/115	110/125
RHCLA2150C	RXHE-CE040CC	208/230	40	83/96	30/40	102.4/136.5	134/148	150/150
RHCLA2150D	RXHE-CE030DC	460	30	35	28.8	98.3	58	60
RHCLA2150D	RXHE-CE040DC	460	40	48	40	136.5	74	80
RHCLA2240C	RXHE-CE030CC	208/230	30	60/70	21.6/28.8	73.7/98.3	105/115	110/125
RHCLA2240C	RXHE-CE040CC	208/230	40	83/96	30/40	102.4/136.5	134/148	150/150
RHCLA2240D	RXHE-CE030DC	460	30	35	28.8	98.3	58	60
RHCLA2240D	RXHE-CE040DC	460	40	48	40	136.5	74	80

TYPICAL PIPING RECOMMENDATIONS

INDOOR COIL ABOVE OUTDOOR UNIT



INDOOR COIL BELOW OUTDOOR UNIT



NOTE: PIPING ACCESSORIES SHOWN SHOULD BE MOUNTED AS CLOSE TO AIR HANDLING UNIT AS POSSIBLE.

REFRIGERANT PIPING

1. Size liquid line for no more than 50 PSIG pressure drop.
2. Size suction lines for no more than 2°F loss, which corresponds to approximately 5 PSIG pressure drop.
3. When evaporator is installed below condensing unit, do not exceed the recommended suction line O.D. This will insure adequate velocities for proper oil return.
4. Install strainer-drier and sight glass in liquid line.
5. Pitch all horizontal suction lines downward in the direction of flow.
6. When making up refrigerant piping, take every precaution to prevent dirt and moisture from entering the piping.
7. Locate the condensing unit and evaporator(s) as close together as possible to minimize piping runs.
8. A liquid line solenoid installed just ahead of the expansion valve is recommended.
9. See tables below for general refrigerant line sizing and equivalent length of valves and fittings.
10. Refer to the vapor and liquid line selection procedure and charts in the outdoor unit installation manual or literature for more specific refrigerant line sizing information. When dual outdoor units are matched with the air-handler using dual circuits, size the refrigerant lines for each system independently.

CONDENSATE DRAIN PIPING

- Consult local codes or ordinances for specific requirements regarding condensate drain.
- Condensate drain is open to atmosphere and must be trapped. Trap must be at least 3 inches [76 mm] deep and made of flexible material or fabricated to prevent freeze-up.
- Pitch the drain line at least 1/4 inch [6 mm] per foot away from the drain pan.
- Do not reduce the drain line size from the connection size provided on the unit.
- Do not connect the drain line to a closed sewer line.

TYPICAL PIPING RECOMMENDATIONS

All models are provided with dual circuit coil manifolds that can be configured for dual condensing unit applications. The coil is circuited to provide full face coil operation for each system. Knock-outs are provided on both sides of the unit to allow the refrigerant tubing to enter from either side. Remove the rubber grommets from the parts bag and install them in the appropriate holes prior to running the line set tubing into the cabinet to seal around and protect the tubing. Copper fittings are provided in the parts bag to allow the two refrigerant circuits to be tied together for single condensing unit applications. The fittings may be installed to allow the tubing to enter the unit from either side as shown in Figure 5.

RECOMMENDED VAPOR AND LIQUID LINE SIZES FOR VARIOUS LENGTHS OF RUN

LINEAR LENGTH (FT.) [m]	LIQUID LINE O.D. SIZES (IN.) [mm]		VAPOR LINE O.D. SIZES (IN.) [mm]	
	090	120	090	120
0-40 [0-12.19]	1/2 [12.7]	5/8 [15.88]	1 1/8 [28.58]	1 3/8 [34.93]
41-90 [12.5-27.43]	1/2 [12.7]	5/8 [15.88]	1 3/8 [34.93]*	1 3/8 [34.93]*

*NOTE: With the outdoor unit located below the indoor air handler, all vertical vapor lines must not exceed 1 1/8" [28.58 mm] O.D.

EQUIVALENT LENGTH (FT.) [m] OF STRAIGHT TYPE "L" TUBING FOR NON-FERROUS VALVES AND FITTINGS (BRAZED)

TUBE SIZE INCHES O.D. [mm]	ANGLE VALVE	SHORT RADIUS ELL	LONG RADIUS ELL	TEE LINE FLOW
1/2 [12.7]	24 [7.32]	4.7 [1.43]	3.2 [0.98]	1.7 [0.52]
5/8 [15.88]	25 [7.62]	5.7 [1.74]	3.9 [1.19]	2.3 [0.70]
3/4 [19.05]	25 [7.62]	6.5 [1.98]	4.5 [1.37]	2.9 [0.88]
7/8 [22.23]	28 [8.53]	7.8 [2.38]	5.3 [1.62]	3.7 [1.13]
1 1/8 [28.58]	29 [8.84]	2.7 [0.82]	1.9 [0.58]	5.2 [1.59]
1 3/8 [34.93]	33 [10.06]	3.2 [0.98]	2.2 [0.67]	6.9 [2.10]

GUIDE SPECIFICATIONS

Furnish and install as shown on the drawing. The entire assembly shall be UL and cUL listed with the cooling capacity A.R.I. Certified.

DRIVE PACKAGE—A complete drive package shall be factory or field installed. Package shall consist of a 3450 RPM dual volt-age, single phase open drip proof motor or a 3 phase 1750 RPM open drip proof internally protected motor, not requiring an external starter. Variable pitch motor sheave, fixed pitch fan sheave, and belt.

COILS—Coils shall be fabricated of / " [10 mm] O.D. seamless copper tubing expanded into aluminum fins. All coils shall be submitted to an air pressure test of up to 550 PSIG [2068 kPa] under water after fabrication and dehydrated prior to assembly in unit. Units shall be shipped with a nitrogen holding charge. Airflow shall be draw through design providing uniform air distribution across the coil surface.

BLOWER, BEARINGS AND SHAFT—Fans shall be a double width, double inlet, forward curve, centrifugal type, statically and dynamically balanced, and constructed of galvanized steel. They shall be mounted on 3/4" [19 mm] = 7.5 ton [26 kW] diameter solid shafts made of high carbon steel, centerless ground and polished, supported by resilient mounted sealed bearings.

DRAIN PAN—The drain pan shall be manufactured of zinc coated steel. The pan shall have internally threaded pipe size drain connections and shall be designed to accept condensate in either horizontal or vertical type applications on either side of unit.

FILTERS—Filter mounting hardware shall be designed to accept up to 2" [51 mm] filters for field replacement. One inch [25 mm] throw away filters shall be furnished with the unit.

CABINET—Cabinets shall be manufactured of galvanized steel subjected to multi-stage cleaning and finished with powder coat paint. Units shall have removable service access panels on each side and top.

INSULATION—Cabinets shall be insulated with 1/2" [13 mm] by 1-1/2 pound [.68 kg] density fiberglass insulation coated with neo-prene and bonded to the cabinet surface with a U.L. approved adhesive. Insulation shall have fire retarding characteristics in accordance with smoke developed rating not to exceed 50 and flame spread rating of 25 per Underwriters Laboratories testing procedures.

FACTORY TESTING—In addition to the pre-assembly testing mentioned above, each coil shall be leak tested after assembly into the unit. While under pressure, the coil shall be leak tested using an Electronic Leak Detector.

ELECTRIC HEATERS—UL and cUL listed electric heater kits shall be available in a wide range of capacities. All kits shall offer two stages of capacity, blower motor controller and single point connection. Heater kits shall be available for installation directly on the supply fan discharge for either horizontal or vertical application.

[] Designates Metric Conversions

GENERAL TERMS OF LIMITED WARRANTY*

Rheem will furnish a replacement for any part of this product which fails in normal use and services within the applicable periods stated below, in accordance with the terms of the limited warranty.

*For Complete Details of the Limited Warranty, Including Applicable Terms and Conditions, See Your Local Installer or Contact the Manufacturer for a Copy.

Any Part.....One (1) Year



The new degree of comfort.™

In keeping with its policy of continuous progress and product improvement, Rheem reserves the right to make changes without notice.

Rheem Heating, Cooling & Water Heating • 5600 Old Greenwood Road
Fort Smith, Arkansas 72908 • www.rheem.com

Rheem Canada Ltd./Ltée • 125 Edgeware Road, Unit 1
Brampton, Ontario • L6Y 0P5



INTEGRATED AIR & WATER