

Job Name:

System Reference:

Date:



GENERAL FEATURES

- Variable speed INVERTER-driven compressor
- Energy Star® certified¹ (non-ducted)
- M-NET connection through outdoor unit
- Quiet outdoor unit operation as low as 50 dB(A)
- New Intelligent Power Module (IPM) for reduced power loss
- Selectable thermal lockout/restart function
- Optional base pan heater
- High pressure switch for additional protection
- Thermal differential of +/-1° F from setpoint

¹ENERGY STAR products are third-party certified by an EPA-recognized Certification Body.

SPECIFICATIONS: MXZ-2C20NA2

Model Number	Outdoor Unit		MXZ-2C20NA2		
	Indoor Unit Type		Non-ducted	Mix	Ducted
Cooling*1	Maximum Capacity	Btu/h	20,000	20,000	20,000
	Rated Capacity	Btu/h	18,000	19,000	20,000
	Minimum Capacity	Btu/h	5,700	5,700	5,700
	Maximum Power Input	W	2,245	2,245	2,245
	Rated Power Input	W	1,417	1,709	2,000
	Power Factor	%	98.7	99.3	99.9
Heating at 47° F*2	Maximum Capacity	Btu/h	25,000	25,000	25,000
	Rated Capacity	Btu/h	22,000	22,000	22,000
	Minimum Capacity	Btu/h	7,400	7,400	7,400
	Maximum Power Input	W	2,455	2,455	2,455
	Rated Power Input	W	1,641	1,706	1,771
	Power Factor	%	96.2	97.9	99.6
Heating at 17° F*3	Maximum Capacity	Btu/h	15,500	15,000	14,500
	Rated Capacity	Btu/h	12,500	13,000	13,500
	Maximum Power Input	W	1,750	1,780	1,810
	Rated Power Input	W	1,300	1,325	1,350
Heating at 5° F*4	Maximum Capacity	Btu/h	11,100	11,000	10,900
	Maximum Power Input	W	1,600	1,625	1,650
Efficiency	SEER		20.00	18.00	16.00
	EER *1		12.70	11.35	10.00
	HSPF (IV)		10.00	9.65	9.30
	COP at 47° F*2		3.93	3.78	3.64
	COP at 17° F*3		2.82	2.87	2.93
	ENERGY STAR® Certified		Yes	No	No
Electrical	Voltage, Phase, Frequency	V AC	208 / 230V, 1-phase, 60 Hz		
	Guaranteed Voltage Range	V AC	187 - 253		
	Voltage: Indoor - Outdoor, S1-S2	V AC	208V / 230		
	Voltage: Indoor - Outdoor, S2-S3	V AC	12-24		
	Voltage: Indoor - Remote Controller	V AC	24		
	Recommended Fuse/Breaker Size	A	20		
	Recommended Wire Size (Indoor-Outdoor)	AWG	AWG14		

SPECIFICATIONS: MXZ-2C20NA2

Model Number	Outdoor Unit		MXZ-2C20NA2		
	Indoor Unit Type		Non-ducted	Mix	Ducted
Outdoor Unit	MCA	A	17.2	17.2	17.2
	Fan Motor Full Load Amperage	A	1.77	1.77	1.77
	Fan Motor Output	W	64	64	64
	Airflow Rate	CFM	1,342 / 1,458	1,342 / 1,458	1,342 / 1,458
	Refrigerant Control		Liner Expansion Valve	Liner Expansion Valve	Liner Expansion Valve
	Defrost Method		Reverse Cycle	Reverse Cycle	Reverse Cycle
	Heat Exchanger Type		Plate Fin Coil	Plate Fin Coil	Plate Fin Coil
	Sound Pressure Level, Cooling*1	dB(A)	50	50	50
	Sound Pressure Level, Heating*2	dB(A)	54	54	54
	Compressor Type		Twin Rotary type	Twin Rotary type	Twin Rotary type
	Compressor Model		SNB140FQUH2T	SNB140FQUH2T	SNB140FQUH2T
	Compressor Motor Output	kW	1.5	1.5	1.5
	Compressor Rated Load Amps	A	10.7	10.7	10.7
	Compressor Locked Rotor Amps	A	15.5	15.5	15.5
	Compressor Oil Type // Charge	oz.	NEO22 // 20.3	NEO22 // 20.3	NEO22 // 20.3
	External Finish Color		Munsell 3.0Y 7.8/1.1	Munsell 3.0Y 7.8/1.1	Munsell 3.0Y 7.8/1.1
	Base Pan Heater		Optional	Optional	Optional
	Unit Dimensions	W: In. [mm]	33-1/16 [840]	33-1/16 [840]	33-1/16 [840]
		D: In. [mm]	13 [330]	13 [330]	13 [330]
		H: In. [mm]	27-15/16 [710]	27-15/16 [710]	27-15/16 [710]
	Package Dimensions	W: In. [mm]	40 [1,010]	40 [1,010]	40 [1,010]
D: In. [mm]		18-1/2 [470]	18-1/2 [470]	18-1/2 [470]	
H: In. [mm]		33-1/2 [850]	33-1/2 [850]	33-1/2 [850]	
Unit Weight	Lbs. [kg]	126 [57]	126 [57]	126 [57]	
Package Weight	Lbs. [kg]	147 [67]	147 [67]	147 [67]	
Outdoor unit operating temperature range	Cooling Intake Air Temp (Maximum / Minimum)	°F	14 to 115	14 to 115	14 to 115
	Heating Intake Air Temp (Maximum / Minimum)	°F	5 to 75	5 to 75	5 to 75
	Thermal Lock-out / Re-start Temperatures	°F	Cooling: 10.4 / 14 Heating: 1.5 / 5	Cooling: 10.4 / 14 Heating: 1.5 / 5	Cooling: 10.4 / 14 Heating: 1.5 / 5

SPECIFICATIONS: MXZ-2C20NA2

Model Number	Outdoor Unit		MXZ-2C20NA2		
	Indoor Unit Type		Non-ducted	Mix	Ducted
Refrigerant	Type		R410A	R410A	R410A
	Charge	Lbs. Oz.	3, 15	3, 15	3, 15
Indoor Unit Connection	Maximum Number of Connected IDU		2	2	2
	Minimum Number of Connected IDU		2	2	2
	Maximum Connected Capacity	Btu/h	24,000	24,000	24,000
	Minimum Connected Capacity	Btu/h	12,000	12,000	12,000
Piping	Gas Pipe Size O.D. (Flared)	In. [mm]	3/8 [9.52]	3/8 [9.52]	3/8 [9.52]
	Liqued Pipe Sixe O.D. (Flared)	In. [mm]	1/4 [6.35]	1/4 [6.35]	1/4 [6.35]
	Total Piping Length	Ft. [m]	164 [50]	164 [50]	164 [50]
	Maximim Height Difference, ODU above IDU	Ft. [m]	33 [10]	33 [10]	33 [10]
	Maximim Height Difference, ODU below IDU	Ft. [m]	49 [15]	49 [15]	49 [15]
	Farthest Piping Length from ODU to IDU	Ft. [m]	82 [25]	82 [25]	82 [25]
	Maximum Number of Bends		50	50	50
AHRI Rated Conditions (Rated data is determined at a fixed compressor speed)	*1 Cooling (Indoor // Outdoor)	°F	80°F DB, 67°F WB // 95°F DB, 75°F WB		
	*2 Heating at 47°F (Indoor // Outdoor)	°F	70°F DB, 60°F WB // 47°F DB, 43°F WB		
	*3 Heating at 17°F (Indoor // Outdoor)	°F	70°F DB, 60°F WB // 17°F DB, 15°F WB		
Conditions	*4 Heating at 5°F (Indoor // Outdoor)	°F	70°F DB, 60°F WB // -4°F DB, -5°F WB		
For reference to connected capacity charts, please refer MXZ-2C20NA2-U1 Operational Performance.					

NOTES:

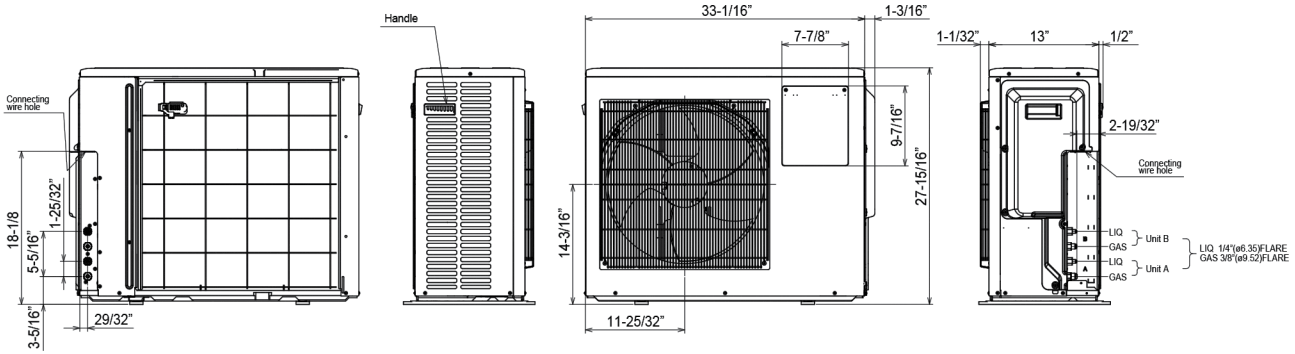
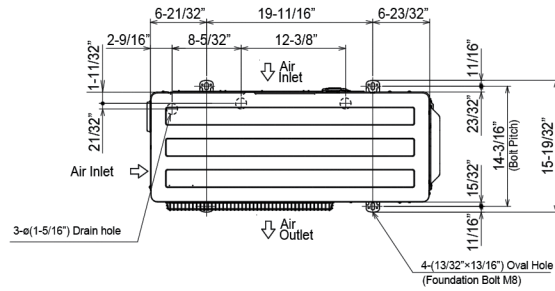
ACCESSORIES: MXZ-2C20NA2

Joint Pipe	Port Adapter size: 3/8" x 5/8"	PAC-SG76RJ-E
	Port Adapter size: 1/4" x 3/8"	PAC-493PI
	Port Adapter size: 3/8" X 1/2"	MAC-A454JP-E
	Port Adapter size: 1/2" X 3/8"	MAC-A455JP-E
	Port Adapter size: 1/2" X 5/8"	MAC-A456JP-E
Air Discharge Guide		MAC-856SG
Base Pan Heater		PAC-646BH-E
Control Cable		CW162S
3-pole Disconnect		TAZ-MS303
M-NET Adapter		PAC-IF01MNT-E
Wall Mounting Bracket (Powder-coated Steel)		QSWB2000M-1
Wall Mounting Bracket (316 Series Stainless Steel)		QSWBSS
Outdoor Unit Mounting Pad 24" x 42" x 3"		ULTRILITE2
MiniSplit Mounting Stand-Single Fan - 12"		QSMS1201M
MiniSplit Mounting Stand-Single Fan - 18"		QSMS1801M
MiniSplit Mounting Stand-Single Fan - 24"		QSMS2401M
Diamondback Linesets*1	1/4 x 1/2 x 15' / 1/2" Lineset (Twin-Tube Insulation)	MLS141212T-15
	1/4 x 1/2 x 30' / 1/2" Lineset (Twin-Tube Insulation)	MLS141212T-30
	1/4 x 1/2 x 50' / 1/2" Lineset (Twin-Tube Insulation)	MLS141212T-50
	1/4 x 1/2 x 65' / 1/2" Lineset (Twin-Tube Insulation)	MLS141212T-65
	1/4 x 1/2 x 100' / 1/2" Lineset (Twin-Tube Insulation)	MLS141212T-100
	3/8 x 5/8 x 10' / 1/2" Lineset (Twin-Tube Insulation)	MPLS385812T-10
	3/8 x 5/8 x 15' / 1/2" Lineset (Twin-Tube Insulation)	MPLS385812T-15
	3/8 x 5/8 x 30' / 1/2" Lineset (Twin-Tube Insulation)	MPLS385812T-30
	3/8 x 5/8 x 50' / 1/2" Lineset (Twin-Tube Insulation)	MPLS385812T-50
	3/8 x 5/8 x 65' / 1/2" Lineset (Twin-Tube Insulation)	MPLS385812T-65
	3/8 x 5/8 x 100' / 1/2" Lineset (Twin-Tube Insulation)	MPLS385812T-100

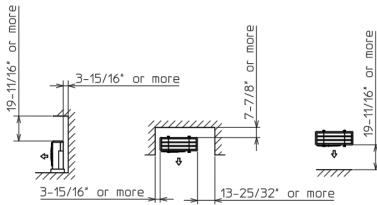
*1 Linesets are indoor unit specific and will be listed in the IDU information - the Joint Pipe adaptors are used in this application

DIMENSIONS: MXZ-2C20NA2

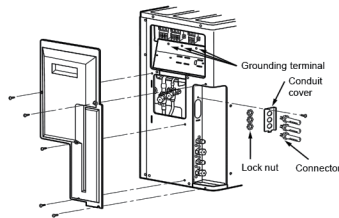
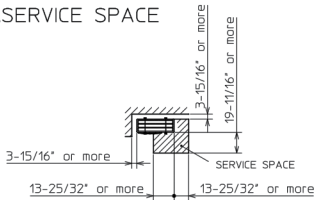
Unit: inch



1.FREE SPACE



2.SERVICE SPACE



COOLING & HEATING
1340 Satellite Boulevard, Suwanee, GA 30024
Toll Free: 800-433-4822 www.mehvac.com

