

Job Name:

System Reference:

Date:

Indoor Unit:
MSZ-GL24NA



Wireless Remote Controller



GENERAL FEATURES

- Slim wall-mounted indoor units provide zone comfort control
- The outdoor unit powers the indoor unit, and should a power outage occur, the system is automatically restarted when power returns
- Multiple fan speed options: Quiet, Low, Medium, High, Super-high, Auto
- Multiple control options available:
 - Hand-held Remote Controller (provided with unit)
 - kumo cloud® smart device app for remote access
 - Third-party interface options
 - Wired or wireless controllers
- Hot-Start Technology: no cold air rush at equipment startup or when restarting after Defrost Cycle
- Quiet operation
- Smart Set: recalls a preferred preset temperature setting at the touch of a button

SPECIFICATIONS: MSZ-GL24NA

Cooling Capacity ^{1, 3}		BTU/H	22,500
Heating Capacity ^{2, 3}		BTU/H	27,600
Electrical	Voltage, Phase, Frequency		208/230V, 1 phase, 60Hz
	Guaranteed Voltage Range		V AC 187 - 253
	Voltage: Indoor - Outdoor, S1-S2		V AC 208 / 230
	Voltage: Indoor - Outdoor, S2-S3		V DC 24
	Short-circuit Current Rating (SCCR)		5
MCA		A	1
Blower Motor Full Load Amperage		A	0.76
Blower Motor Output		W	56
Airflow Rate at Cooling, Dry		CFM	738-628-544-469-388
Airflow Rate at Cooling, Wet		CFM	661-562-487-420-347
Airflow Rate at Heating, Dry		CFM	738-628-544-469-388
Sound Pressure Level (Cooling)		dB(A)	53-49-45-41-34
Sound Pressure Level (Heating)		dB(A)	52-49-45-41-32
Drain Pipe Size		In. (mm)	5/8 (15.88)
Heat Exchanger Type		Plate fin coil	
External Finish Color		Munsell 1.0Y 9.2/0.2	
Unit Dimensions	W: In. (mm)		43-5/16 (1,100)
	D: In. (mm)		9-3/8 (238)
	H: In. (mm)		12-13/16 (325)
Package Dimensions	W: In. (mm)		45-1/2 (1,160)
	D: In. (mm)		12-3/4 (320)
	H: In. (mm)		15-1/2 (390)
Unit Weight		Lbs. (kg)	37 (17)
Package Weight		Lbs. (kg)	37 (17)
Refrigerant	Type		R410A
Piping	Gas Pipe Size O.D. (Flared)		In. (mm) 5/8 (15.88)
	Liquid Pipe Size O.D. (Flared)		In. (mm) 3/8 (9.52)

Notes:

Nominal Conditions	¹ Cooling (Indoor // Outdoor)	°F	80 DB, 67 WB // 95 DB, 75 WB
	² Heating at 47°F (Indoor // Outdoor)	°F	70 DB, 60 WB // 47 DB, 43 WB

³Capacity varies based on the number of indoor units operating and the model of the Multi-zone Outdoor Unit. For reference to connected capacity charts, please refer Multi-zone Outdoor Unit Operational Performance.

ACCESSORIES: MSZ-GL24NA

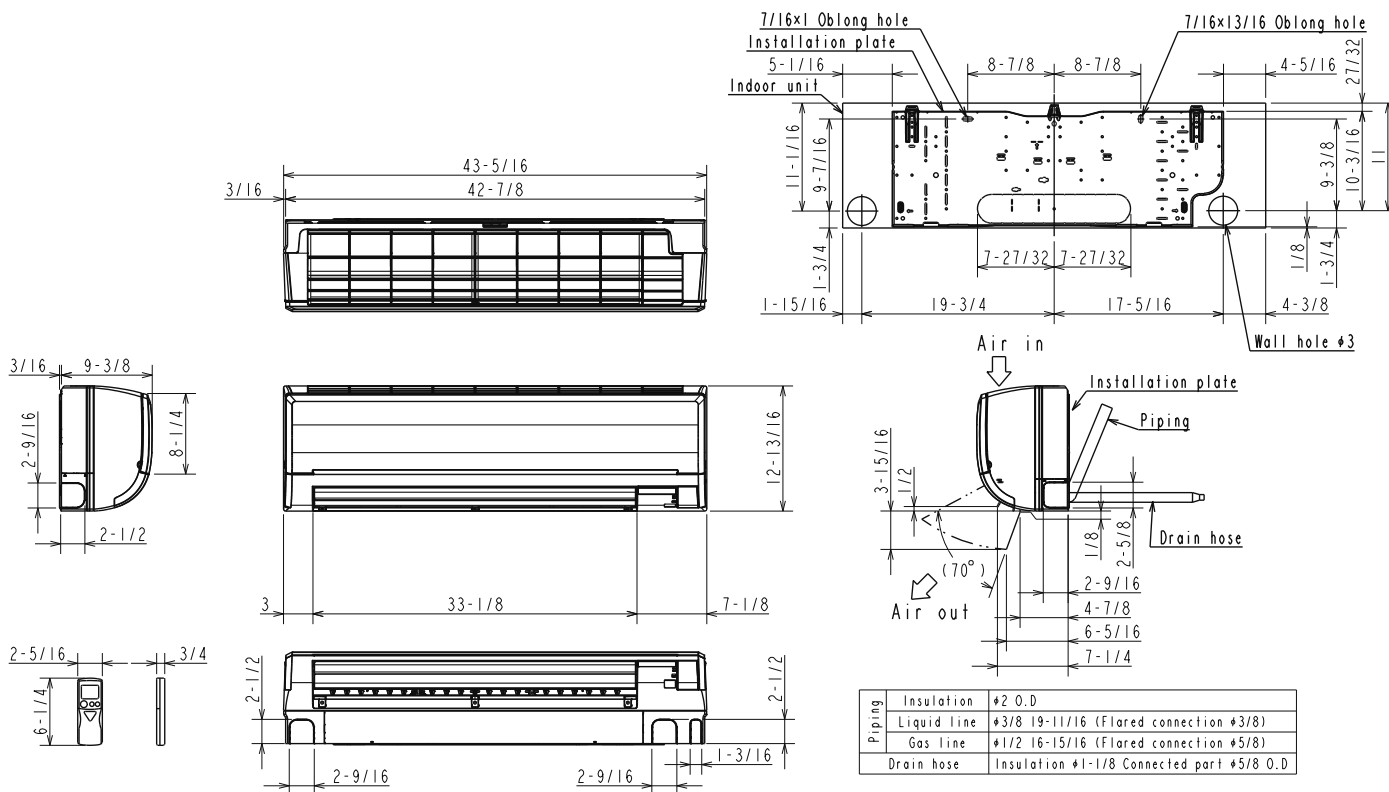
Anti-allergy Enzyme Filter	☐ MAC-2310FT-E
kumo touch™ RedLINK™ Wireless Controller	☐ MHK2
Deluxe MA Remote Controller ¹	☐ PAR-40MAAU
Simple MA Controller ¹	☐ PAC-YT53CRAU-J
Touch MA Controller ¹	☐ PAR-CT01MAU-SB
Wireless Temperature and Humidity Sensor	☐ PAC-USWHS003-TH-1
System Control Interface ²	☐ MAC-334IF-E
Wireless Interface 2	☐ PAC-USWHS002-WF-2
Thermostat Interface	☐ PAC-US444CN-1
kumo station®	☐ PAC-WHS01HC-E
USNAP Interface	☐ PAC-WHS01UP-E
IT Extender	☐ PAC-WHS01IE-E
BACnet® and MODBUS® Interface	☐ PAC-UKPRC001-CN-1
Lockdown Bracket for Hand-held Remote Controllers	☐ RCMKP1CB
Blue Diamond Sensor Extension Cable — 15 Ft.	☐ C13-103
Blue Diamond Alarm Extension Cable — 6.5 Ft.	☐ C13-192
Blue Diamond MultiTank — collection tank for use with multiple pumps	☐ C21-014
Blue Diamond Rubber Foot Pads	☐ F10-010
Mini Condensate Pump — 230 volt application	☐ SI30-230
MegaBlue Advanced Blue Diamond Condensate Pump w/ Reservoir & Sensor	☐ X87-835 - 110 to 250V
MaxiBlue Advanced Blue Diamond Mini Condensate Pump w/ Reservoir & Sensor (110V) up to 48,000 BTU/H [recommended]	☐ X87-711 - 110V
Advanced Blue Diamond Mini Condensate Pump w/ Reservoir & Sensor (208/230V) [recommended]	☐ X87-721 - 208/230V
MicroBlue Blue Diamond Mini Condensate Pump (110/208/230V) up to 18,000 BTU/H	☐ X85-003
Fascia Kit for MicroBlue Pump – mounts the MicroBlue and sensor directly beneath the indoor unit	☐ T18-016
Drain Pan Level Sensor	☐ SS610E
(30A/600V/UL) [fits 2" X 4" utility box] - Black	☐ TAZ-MS303
(30A/600V/UL) [fits 2" X 4" utility box] - White	☐ TAZ-MS303W

¹ Requires MAC-334IF-E

² Allows indoor units to connect to an MA Controller

DIMENSIONS: MSZ-GL24NA

Unit: inch



FORM# MSZ-GL24NA FOR MXZ-C MULTI-ZONE HEAT PUMP SYSTEMS - 202003

1340 Satellite Boulevard, Suwanee, GA 30024
Toll Free: 800-433-4822 www.mehvac.com



Specifications are subject to change without notice.

© 2020 Mitsubishi Electric Trane HVAC US LLC. All rights reserved.