

SUBMITTAL DATA: MSZ-D36NA-8 & MUZ-D36NA-1
36,000 BTU/H WALL-MOUNTED HEAT-PUMP SYSTEM

| | | |
|---------------------|--|-------|
| Job Name: | Location: | Date: |
| Purchaser: | Engineer: | |
| Submitted to: | For <input type="checkbox"/> Reference <input type="checkbox"/> Approval <input type="checkbox"/> Construction | |
| System Designation: | Schedule No.: | |



Indoor Unit: MSZ-D36NA-8



Wireless Remote Controller



Outdoor Unit: MUZ-D36NA-1

GENERAL FEATURES

- Catechin and anti-allergy enzyme filters for high air-purification capabilities
- Updated sleek, compact indoor unit design
- Remote-controlled wide airflow enables ideal horizontal air distribution
- Self-check function—onboard diagnostics
- Advanced microprocessor control
- Auto restart following a power outage
- Hand-held Wireless Remote Controller
- Anti-allergy Enzyme Filter
- Limited warranty: five years parts and seven years compressors

ACCESSORIES
Outdoor Unit

- Drain Socket Assembly (MAC-811DS)

Indoor Unit

- Condensate Pump (230V; SI3100-230)

Controller Options

- Wireless Wall-mounted Remote Controller Kit (MHK1)*
 - Portable Central Controller (MCCH1)*
 - Outdoor Air Sensor (MOS1)*
 - Wired Wall-mounted Controller (PAR-31MAA requires MAC-333IF)*
 - Simple MA Remote Controller (PAC-YT53CRAU requires MAC-333IF)*
- *See Submittal for information on each option.
- System Control Interface (MAC-333IF)



SPECIFICATIONS: MSZ-D36NA-8 & MUZ-D36NA-1

Cooling*

| | |
|------------------|--------------|
| Rated Capacity | 33,200 Btu/h |
| Minimum Capacity | 9,800 Btu/h |
| SEER | 14.5 Btu/h/W |
| Total Input | 4,360 W |

Heating at 47° F*

| | |
|------------------|--------------|
| Rated Capacity | 35,200 Btu/h |
| Minimum Capacity | 8,700 Btu/h |
| HSPF | 8.2 Btu/h/W |
| Total Input | 3,840 W |

Heating at 17° F*

| | |
|---------------------|--------------|
| Rated Capacity | 21,800 Btu/h |
| Maximum Capacity | 22,800 Btu/h |
| Maximum Total Input | 3,000 W |

* Rating Conditions per AHRI Standard

Cooling | Indoor: 80° F (27° C) DB / 67° F (19° C) WB
 Cooling | Outdoor: 95° F (35° C) DB / 75° F (24° C) WB
 Heating at 47° F | Indoor: 70° F (21° C) DB / 60° F (16° C) WB
 Heating at 47° F | Outdoor: 47° F (8° C) DB / 43° F (6° C) WB
 Heating at 17° F | Indoor: 70° F (21° C) DB / 60° F (16° C) WB
 Heating at 17° F | Outdoor: 17° F (-8° C) DB / 15° F (-9° C) WB

ELECTRICAL REQUIREMENTS

Power Supply 208 / 230V, 1-Phase, 60 Hz
 Breaker Size .25 A

Voltage

Indoor - Outdoor S1-S2 AC 208 / 230V
 Indoor - Outdoor S2-S3 DC ±24V
 Indoor - Remote Controller MKH1 DC 3V
 PAR-31MAA DC 12V
 PAC-YT53CRAU DC 12V

OPERATING RANGE

| | | Indoor Intake Air Temp. | Outdoor Intake Air Temp. |
|---------|---------|--------------------------------------|--|
| Cooling | Maximum | 90° F (32° C) DB 73° F (23° C) WB | 115° F (46° C) DB |
| | Minimum | 67° F (19° C) DB 57° F (14° C) WB | 14° F (-10° C) DB |
| Heating | Maximum | 80° F (27° C) DB 67° F (19° C) WB | 75° F (24° C) DB 65° F (18° C) WB |
| | Minimum | 70° F (27° C) DB 60° F (16° C) WB | 14° F (-10° C) DB 13° F (-11° C) WB |

Indoor Unit

MCA 1 A
 Blower Motor (ECM) 0.76 F.L.A.
 Airflow
 Cooling (Lo - Med - Hi - Powerful) 389 - 639 - 848 - 887 Dry CFM
 350 - 576 - 763 - 798 Wet CFM
 Heating (Lo - Med - Hi - Powerful) .445 - 639 - 848 - 887 Dry CFM

Sound Pressure Level

Cooling (Lo - Med - Hi - Powerful) 32 - 42 - 49 - 51 dB(A)
 Heating (Lo - Med - Hi - Powerful) 34 - 42 - 49 - 50 dB(A)

| DIMENSIONS | UNIT INCHES / MM |
|------------|------------------|
| W | 46-1/16 / 1,170 |
| D | 11-5/8 / 295 |
| H | 14-3/8 / 365 |

Weight .40 lbs. / 18 kg
 External Finish Munsell No. 1.0Y 9.2 / 0.2
 Field Drainpipe Size O.D. 5/8" / 15.88 mm
 Remote Controller Wireless

Outdoor Unit

Compressor DC Inverter-driven Rotary
 MCA 21 A
 Fan Motor (ECM) 0.93 F.L.A.
 Sound Pressure Level
 Cooling .56 dB(A)
 Heating .57 dB(A)

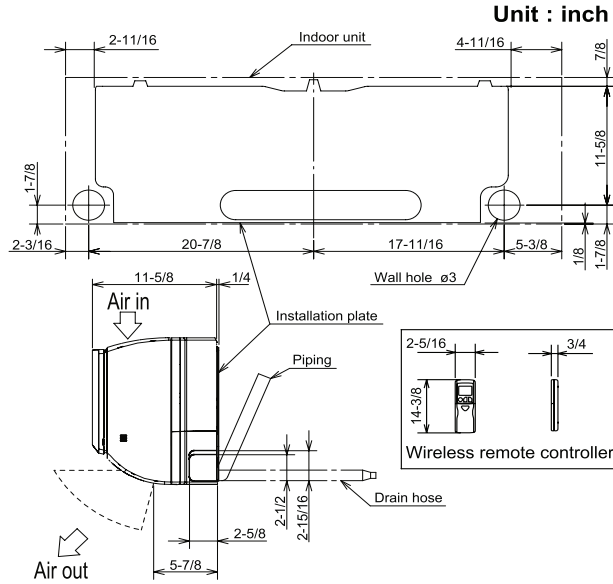
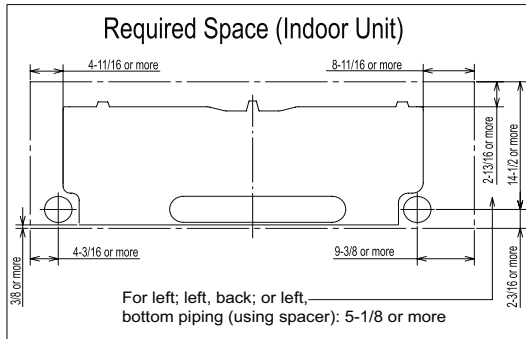
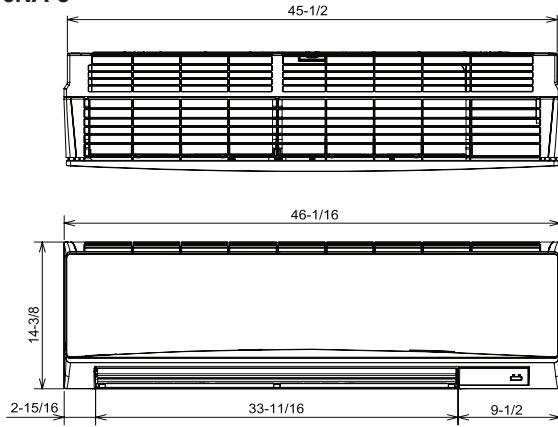
| DIMENSIONS | INCHES / MM |
|------------|---------------|
| W | 33-1/16 / 840 |
| D | 13 / 330 |
| H | 33-7/16 / 849 |

Weight .141 lbs. / 64 kg
 External Finish Munsell No. 3Y 7.8 / 1.1
 Refrigerant Type R410A
 Refrigerant Pipe Size O.D.
 Gas Side 5/8" / 15.88 mm
 Liquid Side 3/8" / 9.53 mm
 Max. Refrigerant Pipe Length 100' / 30 m
 Max. Refrigerant Pipe Height Difference 50' / 15 m
 Connection Method Flared

Notes:

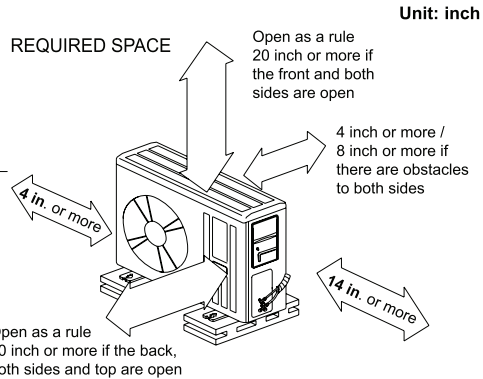
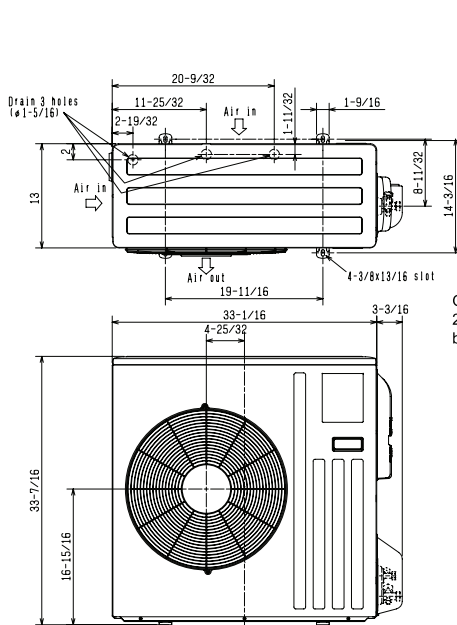
DIMENSIONS: MSZ-D36NA-8 & MUZ-D36NA-1

MSZ-D36NA-8



| | Piping | Insulation |
|-------------|---|------------------------------|
| Liquid line | ø3/8 19-11/16 (Flared connection ø3/8) | ø1-1/4 O.D. ø9/16 I.D. |
| Gas line | ø5/8 16-7/8 (Joint connection ø5/8) | ø1-15/16 O.D. ø1-1/4 I.D. |
| Joint | ø5/8 (Flared connection ø5/8) | ø1-15/16 O.D. ø1-1/4 I.D. |
| Drain hose | Insulation ø1-1/8 Connected part ø9/16 O.D. | |

MUZ-D36NA-1



Intertek



1340 Satellite Boulevard
Suwanee, GA 30024
Tele: 678-376-2900 • Fax: 800-889-9904
Toll Free: 800-433-4822
www.mehvac.com