



Unitary Side Discharge Split System 24VAC Control

Submittal Data: FLEXX60HP230V1A 60000 BTU/H (208/230V) HEAT PUMP SYSTEM

Job Name _____ Location _____ Date _____

Purchaser _____ Engineer _____

Submitted To _____ For Reference Approval Construction

Unit Designation _____ Schedule No. _____

- GENERAL FEATURES**
- Side Discharge Outdoor Unit
 - Zero Lot Line Design
 - Match with Gree or Competitive Indoor Unit
 - Designed for New Construction or Replacement Market
 - Quiet Outdoor Operation - 55 dB(A)
 - 24VAC Thermostat Compatible
 - Acrylic Resin/Anti-Corrosion Fin Coating
 - 5 yr. Limited Compressor & Parts Warranty (Residential Only)



System Ratings

Cooling		
Rated Capacity (BTU/H)		54000
Capacity Range (BTU/H)		35000-55000
Power Input (W)		5140
SEER		17
EER		10.5
Heating at 47° F		
Rated Capacity (BTU/H)		54000
Capacity Range (BTU/H)		35000-60000
Power Input (W)		4590
HSPF		10
COP		3.45
Heating at 17° F		
Rated Capacity (BTU/H)		38000
Operating Range		
Cooling	(Max)	129°F (46°C)
	(Min)	5°F (-18°C)
Heating	(Max)	75°F (24°C)
	(Min)	-22°F (-30°C)
Refrigerant Piping Data		
Gas Pipe Size - OD (in)		3/4
Liquid Pipe Size - OD (in)		3/8
Connection Method		Brazed
Factory Charge (oz)		220.8
Additional Charge (oz/ft)		0.3
Factory Charge Length (ft)		25
MAX Refrigerant Pipe Length (ft)		98
MIN Refrigerant Pipe Length (ft)		15
MAX Refrigerant Pipe Elevation (ft)		49

Indoor Unit Data - FLEXX60HP230V1AH

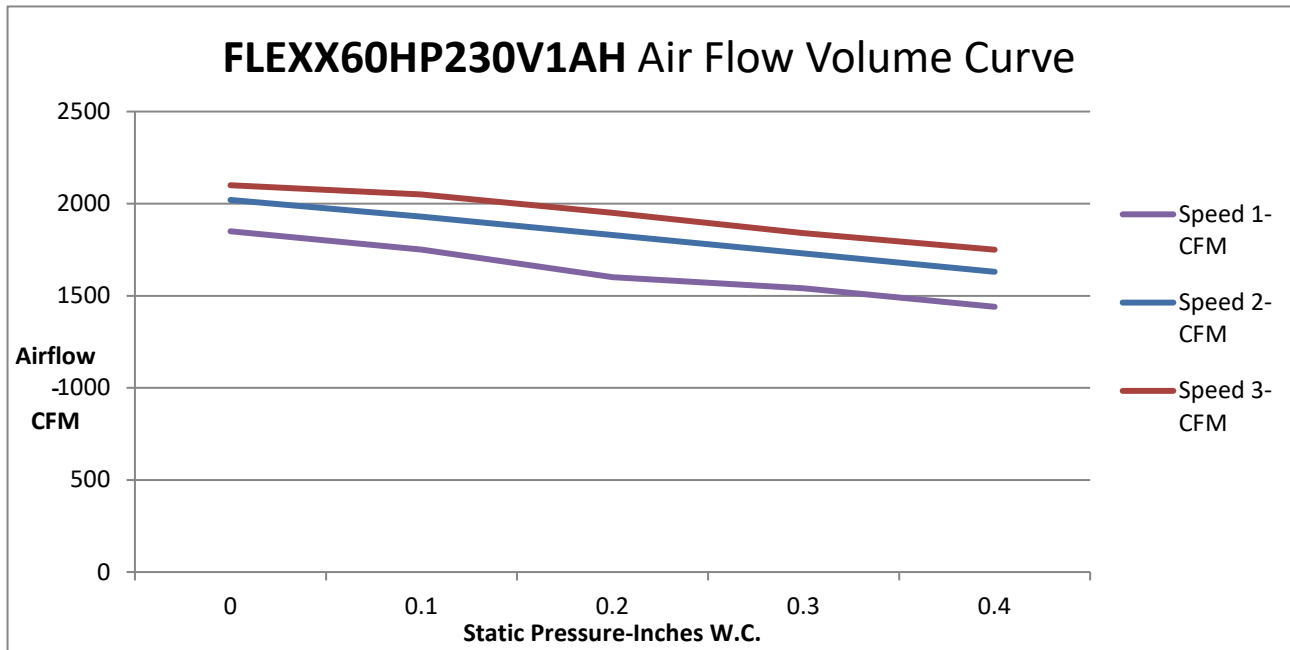
Fan Motor	Output Power (HP)	1
	FLA (A)	3.2
Airflow	CFM	1600
	Rated External Static Pressure	0.2
	External Static Pressure Range (InWg)	0-.4
	Sound Pressure Level (dB(A))	51
Dehumidication (pt/hr)		7
Power Supply (Dedicated Circuit: Size Per Local Code)		
	Normal Operational Voltage	208/230 V, 1 Phase, 60 Hz
	Voltage Range	187 - 253 V
	MCA (A)	4
	MOCP/Breaker Size (A)	15

Outdoor Unit Data - FLEXX60HP230V1AO

Compressor	DC Inverter Driven Rotary	
	RLA (A)	19
Refrigerant Type	R410A	
Fan Motor	Output Power (HP)	1/5 x 2
	FLA (A)	1.5 x 2
Crankcase Heater (W)	40	
Sound Pressure Level - dB(A)	58	
Power Supply (Dedicated Circuit: Size Per Local Code)		
	Normal Operational Voltage	208/230 V, 1 Phase, 60 Hz
	Voltage Range (V)	187 - 253
	MCA (A)	35
	MOCP/Breaker Size (A)	45

SYSTEM FEATURES	
Compressor	Inverter
Ultra Low Frequency Torque Control	YES
Power Factor Correction	YES
Compressor Type	Rotary
Refrigerant Type	R410A
Outdoor Electronic Expansion Valve (EEV)	YES
Indoor TXV Control	YES
Basepan With Electric Heater	YES
Compressor With Electric Heater	YES
Outdoor Fin Coating	Acrylic Resin
Intelligent Defrosting	YES
Intelligent Preheating	YES
Low Voltage Startup	YES
Memory/Power Failure Recovery	YES
Self Diagnosis	YES
Low Ambient Cooling	YES
24VAC Thermostat Compatible	YES
Indoor Fan Type	Centrifugal
Multi Fan Speeds	3 Speeds
Auxiliary Electrical Heater	Optional

FAN PERFORMANCE CURVES



Static Pressure - InWc	0	0.1	0.2	0.3	0.4
Speed 1-CFM	1850	1750	1600	1540	1440
Speed 2-CFM	2020	1930	1830	1730	1630
Speed 3-CFM	2100	2050	1950	1840	1750

COOLING PERFORMANCE

Outdoor Ambient Temperature (DB)		Return Air Temperature											
		60°F (15°C)				70°F (21°C)				80°F (27°C)			
		Capacity	Input Power (watts)	EER	SHC	Capacity	Input Power (watts)	EER	SHC	Capacity	Input Power (watts)	EER	SHC
50°F	32500	3040	10.69	23080	42500	3610	11.77	30170	50000	3800	13.15	35500	
65°F	35100	3400	10.32	24920	45900	4030	11.36	32590	54000	4250	12.70	38340	
75°F	35100	3520	9.97	24920	45900	4180	10.98	32590	54000	4400	12.27	38340	
85°F	35100	3640	9.64	24920	45900	4320	10.61	32590	54000	4550	11.86	38340	
95°F	35100	4040	8.68	24920	45900	4790	9.56	32590	54000	5050	10.69	38340	
105°F	35100	5340	6.56	24920	45900	6340	7.23	32590	54000	6680	8.08	38340	
115°F	29900	4560	6.55	21230	39100	5410	7.22	27760	46000	5700	8.07	32660	

HEATING PERFORMANCE

Outdoor Ambient Temperature (DB)		Return Air Temperature											
		60°F (15°C)				70°F (21°C)				80°F (27°C)			
		TC (BtuH)	Input Power (watts)	COP		TC (BtuH)	Input Power (watts)	COP		TC (BtuH)	Input Power (watts)	COP	
-22°F	28380	6220	4.56		28100	6350	4.43		27540	6410	4.29		
-15°F	31310	6370	4.92		31000	6500	4.77		30380	6560	4.63		
-5°F	36360	6610	5.50		36000	6750	5.33		35280	6820	5.17		
5°F	43730	6960	6.29		43300	7100	6.10		42430	7170	5.92		
17°F	53330	6660	8.00		52800	6800	7.76		51740	6870	7.53		
32°F	54540	6470	8.43		54000	6600	8.18		52920	6660	7.94		
47°F	55550	4900	11.34		55000	5000	11.00		53900	5050	10.67		
60°F	60600	5190	11.67		60000	5300	11.32		58800	5350	10.98		

LEGEND

DB --- Dry Bulb

WB --- Wet Bulb

TC --- Total Capacity (BtuH)

SC --- Sensible Capacity (BtuH)

Input Power---(Watts)

COP---Coefficient Of Performance

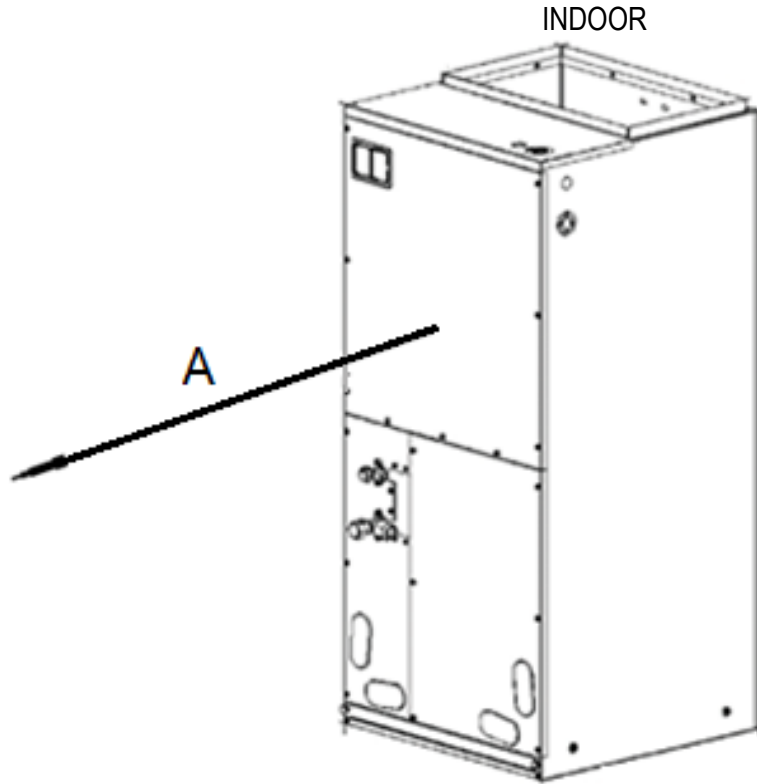
Specifications are subject to change without notice. Manufacturer reserves the right to discontinue or modify specifications or designs

without notice or without incurring obligations. All rights reserved.

Submittal Data: FLEXX60HP230V1AH

MINIMUM SPACING REQUIREMENTS

Units: inches



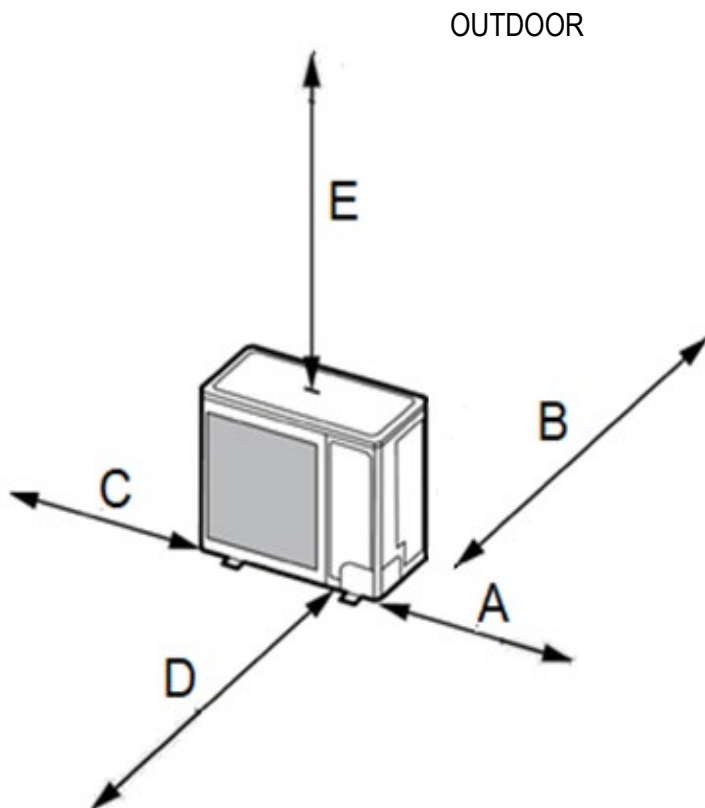
A	24
ALL OTHER SIDES	0

ALWAYS CHECK AND FOLLOW STATE AND LOCAL CODE REGULATIONS FOR MINIMUM SPACING REQUIREMENTS

FLEXX60HP230V1AO

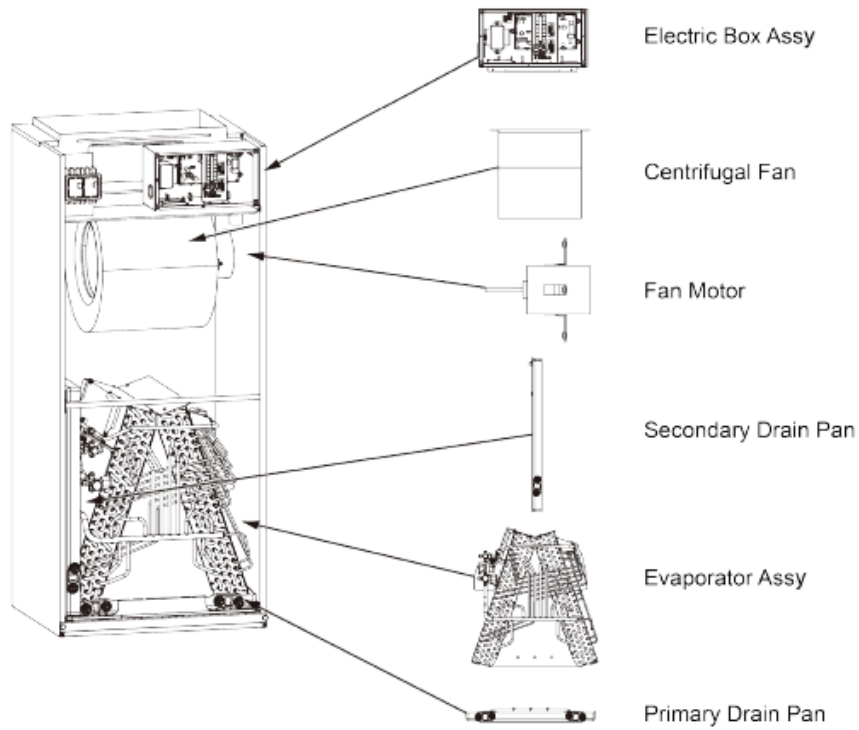
MINIMUM SPACING REQUIREMENTS

Units: inches



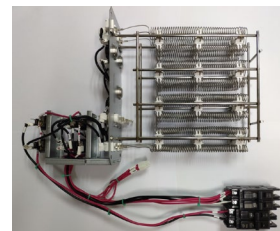
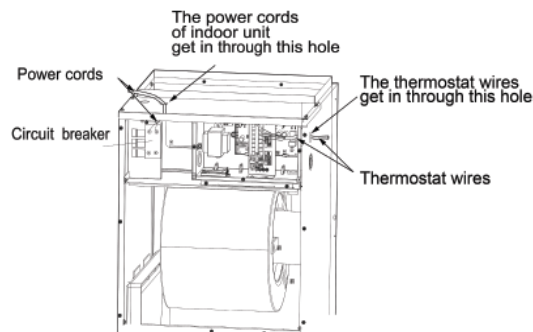
A	12
B	4
C	4
D	40
E	40

ALWAYS CHECK AND FOLLOW STATE AND LOCAL CODE REGULATIONS FOR MINIMUM SPACING REQUIREMENTS



Model	Cooling Capacity (ton)	Optional Electric Heater	KW
FLEXX36,48,60HP230V1AH	3.0 / 4.0 / 5.0	FLEXXHTR10KW	10
FLEXX48,60HP230V1AH	4.0 / 5.0	FLEXXHTR15KW	15
FLEXX48,60HP230V1AH	4.0 / 5.0	FLEXXHTR20KW	20

Power Supply	V	240	240	240	240	240
Rated Power	kW			10	15	20
Min. Circuit Ampacity	A			50	50 & 25	50 & 50
Max. Fuse or Breaker Ampacity	A			60	60 & 30	60 & 60

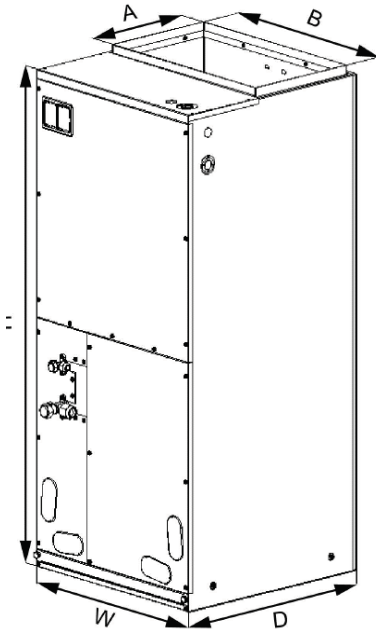


DIMENSIONAL SPECIFICATIONS

FLEXX60HP230V1AH

INDOOR UNIT DIMENSIONS & WEIGHTS

Units: inch



W	24-3/4
D	21-1/4
H	57-1/4
A	11-5/8
B	20

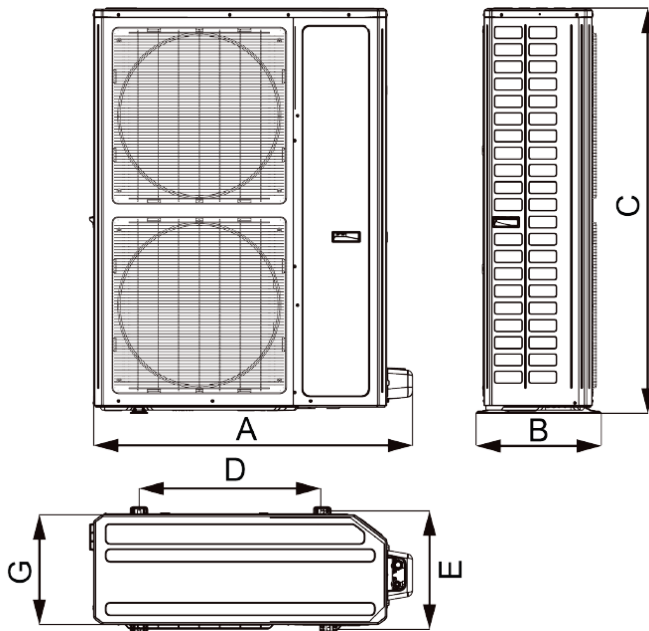
Net Weight (lbs)	202.8
Shipping Weight (lbs)	218

Liquid Line Valve	3/8-in OD Brazed
Gas Line Valve	3/4-in OD Brazed
Drain Connector	3/4 in OD

FLEXX60HP230V1AO

OUTDOOR UNIT DIMENSIONS & WEIGHTS

Units: inch



A	42-3/4
B	16-7/8
C	53-3/4
D	24-1/2
E	15-1/2
G	14-1/2

Net Weight (lbs)	308.6
Shipping Weight (lbs)	337

Liquid Line Valve	3/8-in OD Brazed
Gas Line Valve	3/4-in OD Brazed

Notes:

1. Power wiring size must comply with applicable national and local codes for both ID and OD dedicated circuits.
2. Test conditions are based on AHRI 210/240.

Specifications are subject to change without notice. Manufacturer reserves the right to discontinue or modify specifications or designs without notice or without incurring obligations. All rights reserved.