



Unitary Side Discharge Split System 24VAC Control

Submittal Data: FLEXX36HP230V1A 36000 BTU/H (208/230V) HEAT PUMP SYSTEM

Job Name	Location	Date
Purchaser	Engineer	
Submitted To	For <input type="checkbox"/> Reference <input type="checkbox"/> Approval <input type="checkbox"/> Construction	
Unit Designation	Schedule No.	

- GENERAL FEATURES**
- Side Discharge Outdoor Unit
 - Zero Lot Line Design
 - Match with Gree or Competitive Indoor Unit
 - Designed for New Construction or Replacement Market
 - Quiet Outdoor Operation - 55 dB(A)
 - 24VAC Thermostat Compatible
 - Acrylic Resin/Anti-Corrosion Fin Coating
 - 5 yr. Limited Compressor & Parts Warranty (Residential Only)



System Ratings

Cooling		
Rated Capacity (BTU/H)		36000
Capacity Range (BTU/H)		18000 - 37000
Power Input (W)		3270
SEER		18
EER		11
Heating at 47° F		
Rated Capacity (BTU/H)		36000
Capacity Range (BTU/H)		18000 - 38000
Power Input (W)		3010
HSPF		10
COP		3.5
Heating at 17° F		
Rated Capacity (BTU/H)		24400
Operating Range		
Cooling	(Max)	129°F (46°C)
	(Min)	5°F (-18°C)
Heating	(Max)	75°F (24°C)
	(Min)	-22°F (-30°C)
Refrigerant Piping Data		
Gas Pipe Size - OD (in)		3/4
Liquid Pipe Size - OD (in)		3/8
Connection Method		Brazed
Factory Charge (oz)		148.8
Additional Charge (oz/ft)		0.3
Factory Charge Length (ft)		25
MAX Refrigerant Pipe Length (ft)		98
MIN Refrigerant Pipe Length (ft)		15
MAX Refrigerant Pipe Elevation (ft)		49

Indoor Unit Data - FLEXX36HP230V1AH

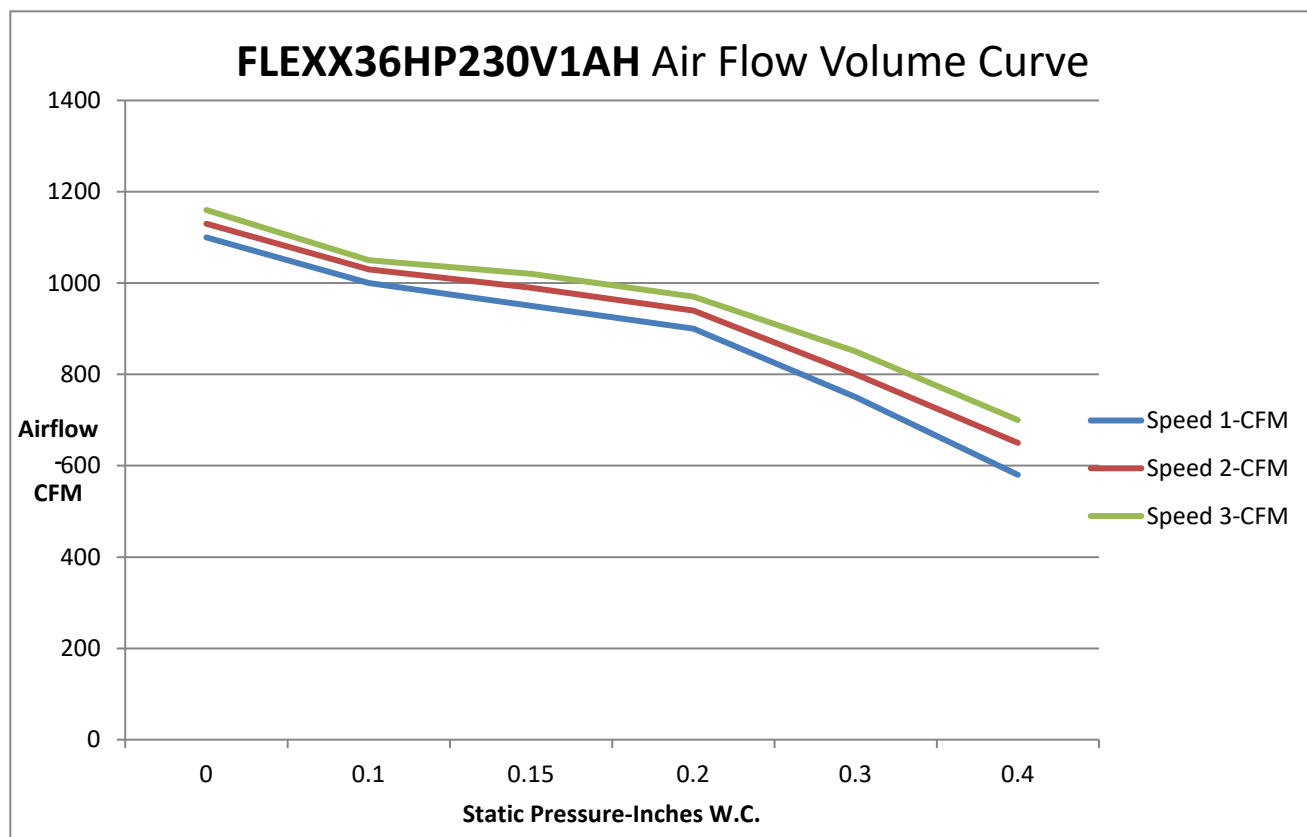
Fan Motor	Output Power (HP)	1/2
	FLA (A)	2.1
Airflow	CFM	1000
	Rated External Static Pressure	0.15
	External Static Pressure Range (InWg)	0-4
	Sound Pressure Level (dB(A))	47
Dehumidication (pt/hr)		6
Power Supply (Dedicated Circuit: Size Per Local Code)		
Normal Operational Voltage	208/230 V, 1 Phase, 60 Hz	
Voltage Range	187 - 253 V	
MCA (A)		4
MOCB/Breaker Size (A)		15

Outdoor Unit Data - FLEXX36HP230V1AO

Compressor	DC Inverter Driven Rotary	
RLA (A)		16
Refrigerant Type		R410A
Fan Motor	Output Power (HP)	1/5
	FLA (A)	1.5
Crankcase Heater (W)		40
Sound Pressure Level - dB(A)		55
Power Supply (Dedicated Circuit: Size Per Local Code)		
Normal Operational Voltage	208/230 V, 1 Phase, 60 Hz	
Voltage Range (V)	187 - 253	
MCA (A)		24
MOCB/Breaker Size (A)		35

SYSTEM FEATURES	
Compressor	Inverter
Ultra Low Frequency Torque Control	YES
Power Factor Correction	YES
Compressor Type	Rotary
Refrigerant Type	R410A
Outdoor Electronic Expansion Valve (EEV)	YES
Indoor TXV Control	YES
Basepan With Electric Heater	YES
Compressor With Electric Heater	YES
Outdoor Fin Coating	Acrylic Resin
Intelligent Defrosting	YES
Intelligent Preheating	YES
Low Voltage Startup	YES
Memory/Power Failure Recovery	YES
Self Diagnosis	YES
Low Ambient Cooling	YES
24VAC Thermostat Compatible	YES
Indoor Fan Type	Centrifugal
Multi Fan Speeds	3 Speeds
Auxiliary Electrical Heater	Optional

FAN PERFORMANCE CURVES



Static Pressure - InWc	0	0.1	0.15	0.2	0.3	0.4
Speed 1-CFM	1100	1000	950	900	750	580
Speed 2-CFM	1130	1030	990	940	800	650
Speed 3-CFM	1160	1050	1020	970	850	700

COOLING PERFORMANCE

Outdoor Ambient Temperature (DB)		Return Air Temperature											
		60°F (15°C)				70°F (21°C)				80°F (27°C)			
		Capacity	Input Power (watts)	EER	SHC	Capacity	Input Power (watts)	EER	SHC	Capacity	Input Power (watts)	EER	SHC
50°F	23400	2120	11.03	16510	30600	2510	12.19	21590	36000	2650	13.58	25400	
65°F	24050	2080	11.56	16900	31450	2470	12.73	22100	37000	2600	14.23	26000	
75°F	23400	2240	10.44	16614	30600	2710	11.29	21726	36000	2800	12.86	25560	
85°F	23400	2400	9.75	16575	30600	2850	10.73	21675	36000	3000	12.00	25500	
95°F	23400	2610	8.96	16380	30600	3100	9.87	21420	36000	3270	11.00	25200	
105°F	23400	3680	6.35	16185	30600	4370	7	21165	36000	4600	7.82	24900	
115°F	21450	3440	6.23	15730	28050	4080	6.87	20570	33000	4300	7.67	24200	

HEATING PERFORMANCE

Outdoor Ambient Temperature (DB)		Return Air Temperature											
		60°F (15°C)				70°F (21°C)				80°F (27°C)			
		TC (BtuH)	Input Power (watts)	COP		TC (BtuH)	Input Power (watts)	COP		TC (BtuH)	Input Power (watts)	COP	
-22°F	18600	4060	4.50		18430	4150	4.44		18000	4190	4.29		
-15°F	21300	4340	4.90		21100	4430	4.76		20600	4470	4.6		
-5°F	25500	4530	5.62		25250	4630	5.45		24750	4670	5.29		
5°F	30150	4860	6.20		29850	4960	6.01		29253	5010	5.83		
17°F	36360	5440	6.68		36000	5550	6.49		35280	5600	6.3		
32°F	36360	4700	7.73		36000	4800	7.50		35280	4850	7.27		
47°F	36360	3200	11.36		36000	3270	11.01		35280	3300	10.69		
60°F	38580	3330	11.58		38200	3400	11.24		37400	3400	11		

LEGEND

DB --- Dry Bulb

WB --- Wet Bulb

TC --- Total Capacity (BtuH)

SC --- Sensible Capacity (BtuH)

Input Power---(Watts)

COP---Coefficient Of Performance

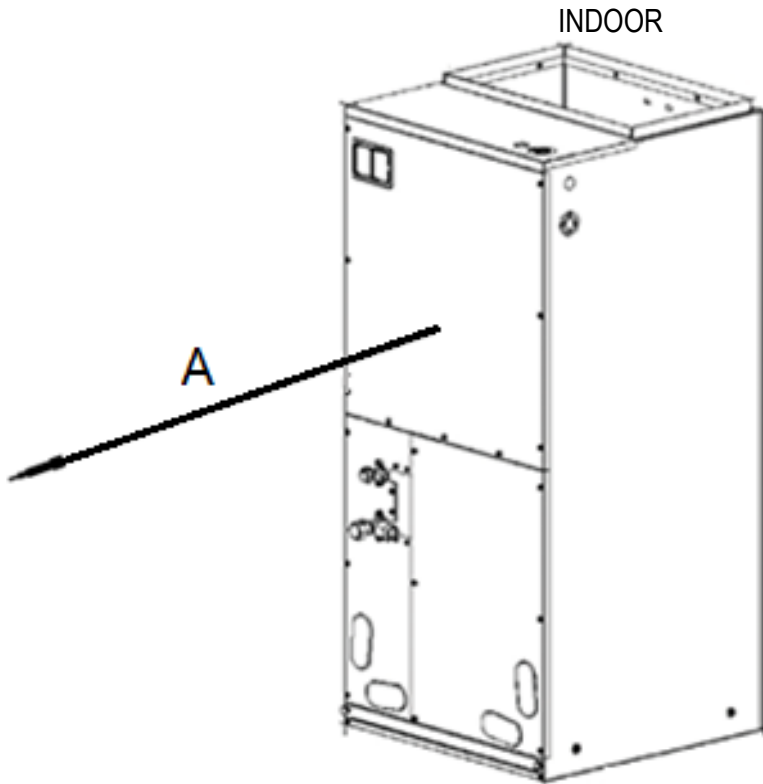
Specifications are subject to change without notice. Manufacturer reserves the right to discontinue or modify specifications or designs

without notice or without incurring obligations. All rights reserved.

Submittal Data: FLEXX36HP230V1AH

MINIMUM SPACING REQUIREMENTS

Units: inches



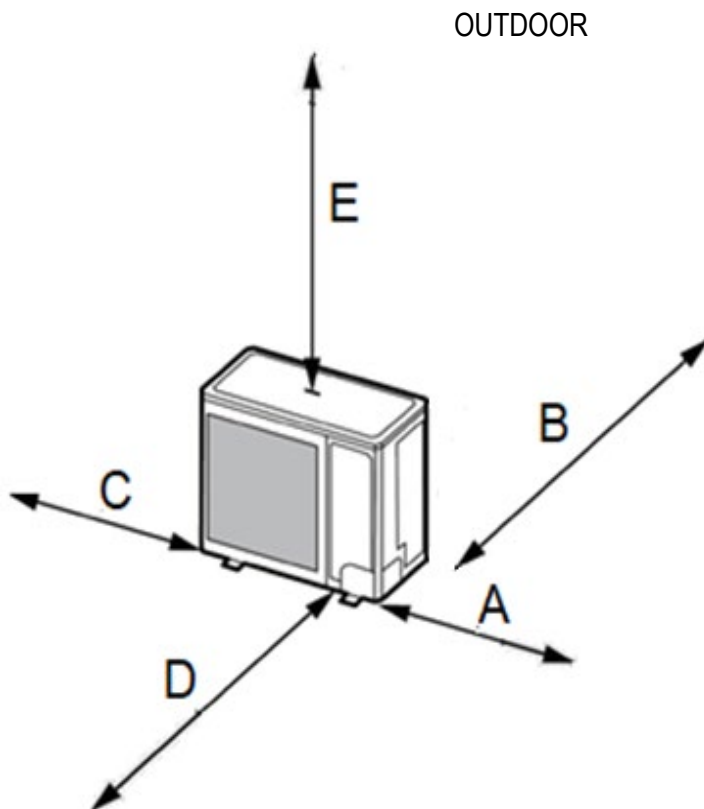
A	24
ALL OTHER SIDES	0

ALWAYS CHECK AND FOLLOW STATE AND LOCAL CODE REGULATIONS FOR MINIMUM SPACING REQUIREMENTS

FLEXX36HP230V1AO

MINIMUM SPACING REQUIREMENTS¹

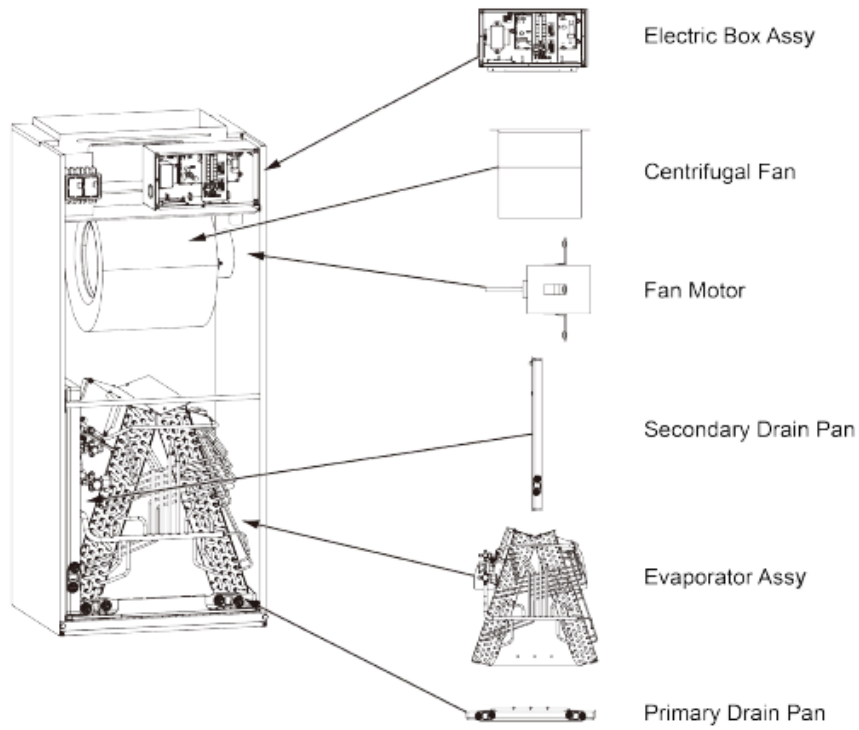
Units: inches



A	12
B	4
C	4
D	40
E	40

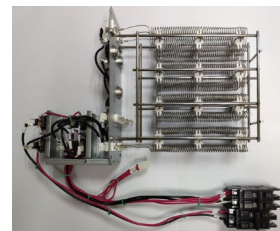
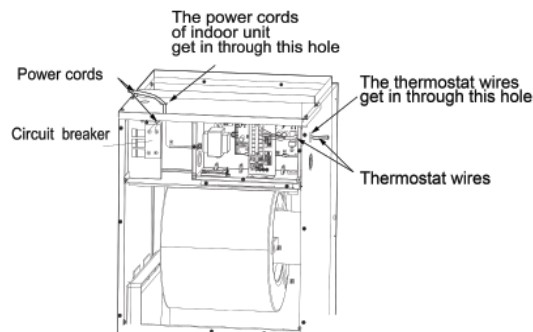
ALWAYS CHECK AND FOLLOW STATE AND LOCAL CODE REGULATIONS FOR MINIMUM SPACING REQUIREMENTS

1. See Installation manual for complete clearance details on single and multiple unit installations.



Model	Cooling Capacity (ton)	Optional Electric Heater	KW
FLEXX36,48,60HP230V1AH	3.0 / 4.0 / 5.0	FLEXXHTR10KW	10
FLEXX48,60HP230V1AH	4.0 / 5.0	FLEXXHTR15KW	15
FLEXX48,60HP230V1AH	4.0 / 5.0	FLEXXHTR20KW	20

Power Supply	V	240	240	240	240	240
Rated Power	kW	5	8	10		
Min. Circuit Ampacity	A	25	40	50		
Max. Fuse or Breaker Ampacity	A	30	45	60		

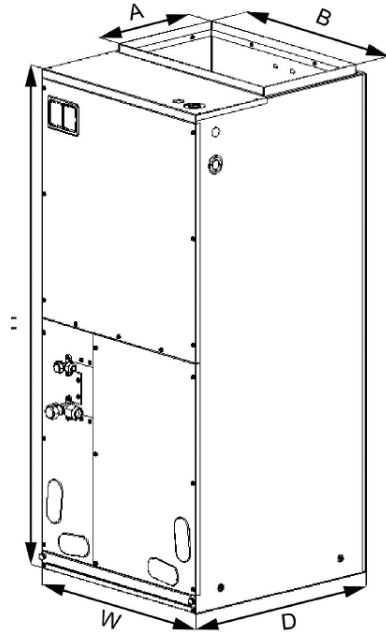


Specifications are subject to change without notice. Manufacturer reserves the right to discontinue or modify specifications or designs

DIMENSIONAL SPECIFICATIONS FLEXX36HP230V1AH

INDOOR UNIT DIMENSIONS & WEIGHTS

Units: inch



W	21-1/4
D	21-1/4
H	48-1/4
A	11-5/8
B	20

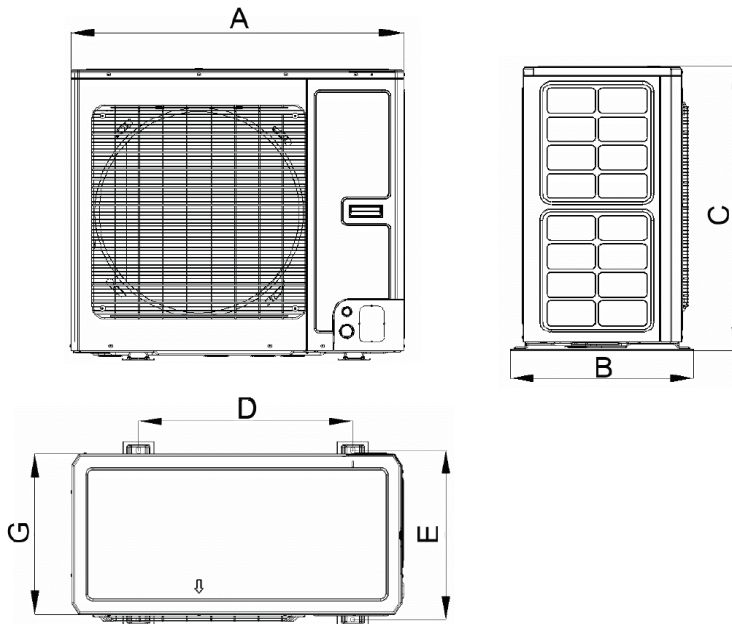
Net Weight (lbs)	156.5
Shipping Weight (lbs)	170

Liquid Line Valve	3/8-in OD Brazed
Gas Line Valve	3/4-in OD Brazed
Drain Connector	3/4 in OD

FLEXX36HP230V1AO

OUTDOOR UNIT DIMENSIONS & WEIGHTS

Units: inch



A	37
B	20-7/8
C	32-1/4
D	24
E	19-1/8
G	18-1/8

Net Weight (lbs)	217.2
Shipping Weight (lbs)	240

Liquid Line Valve	3/8-in OD Brazed
Gas Line Valve	3/4-in OD Brazed

Notes:

1. Power wiring size must comply with applicable national and local codes for both ID and OD dedicated circuits.
2. Test conditions are based on AHRI 210/240.

Specifications are subject to change without notice. Manufacturer reserves the right to discontinue or modify specifications or designs without notice or without incurring obligations. All rights reserved.