



Unitary Side Discharge Split System 24VAC Control

Submittal Data: FLEXX24/36HP230V1A 24000 BTU/H (208/230V) HEAT PUMP SYSTEM

Job Name _____ Location _____ Date _____

Purchaser _____ Engineer _____

Submitted To _____ For Reference Approval Construction

Unit Designation _____ Schedule No. _____

- GENERAL FEATURES**
- Side Discharge Outdoor Unit
 - Zero Lot Line Design
 - Match with Gree or Competitive Indoor Unit
 - Designed for New Construction or Replacement Market
 - Quiet Outdoor Operation - 55 dB(A)
 - 24VAC Thermostat Compatible
 - Acrylic Resin/Anti-Corrosion Fin Coating
 - 5 yr. Limited Compressor & Parts Warranty (Residential Only)



System Ratings

Cooling	
Rated Capacity (BTU/H)	24000
Capacity Range (BTU/H)	12000-30000
Power Input (W)	1920
SEER	20
EER	12.5
Heating at 47° F	
Rated Capacity (BTU/H)	24000
Capacity Range (BTU/H)	12000-30000
Power Input (W)	1670
HSPF	10.5
COP	4.2
Heating at 17° F	
Rated Capacity (BTU/H)	16300
Operating Range	
Cooling	(Max) 129°F (46°C) (Min) 5°F (-18°C)
Heating	(Max) 75°F (24°C) (Min) -22°F (-30°C)
Refrigerant Piping Data	
Gas Pipe Size - OD (in)	3/4
Liquid Pipe Size - OD (in)	3/8
Connection Method	Brazed
Factory Charge (oz)	148.8
Additional Charge (oz/ft)	0.3
Pre-Charge Length (ft)	25
MAX Refrigerant Pipe Length (ft)	98
MIN Refrigerant Pipe Length (ft)	15
MAX Refrigerant Pipe Elevation (ft)	49

Indoor Unit Data - FLEXX24HP230V1AH

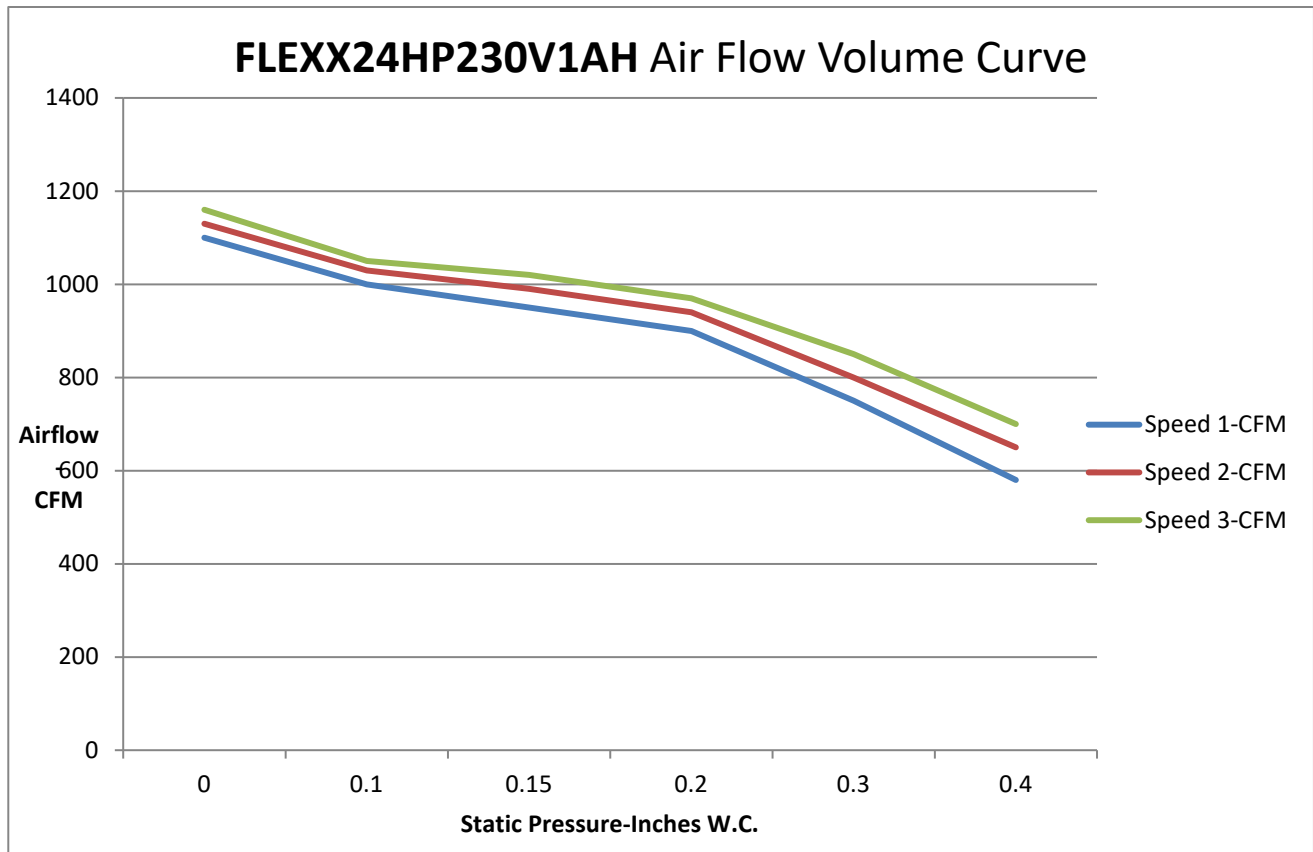
Fan Motor	Output Power (HP)	1/2
	FLA (A)	2.1
Airflow	CFM	940
	Rated External Static Pressure	0.1
	External Static Pressure Range (InWg)	0-4
	Sound Pressure Level (dB(A))	45
Dehumidication (pt/hr)		6
Power Supply (Dedicated Circuit: Size Per Local Code)		
	Normal Operational Voltage	208/230 V, 1 Phase, 60 Hz
	Voltage Range	187 - 253 V
	MCA (A)	4
	MOCP/Breaker Size (A)	15

Outdoor Unit Data - FLEXX36HP230V1AO

Compressor	DC Inverter Driven Rotary	
	RLA (A)	16
Refrigerant Type	R410A	
Fan Motor	Output Power (HP)	1/5
	FLA (A)	1.5
Crankcase Heater (W)		40
Sound Pressure Level - dB(A)		55
Power Supply (Dedicated Circuit: Size Per Local Code)		
	Normal Operational Voltage	208/230 V, 1 Phase, 60 Hz
	Voltage Range (V)	187 - 253
	MCA (A)	24
	MOCP/Breaker Size (A)	35

SYSTEM FEATURES	
Compressor	Inverter
Ultra Low Frequency Torque Control	YES
Power Factor Correction	YES
Compressor Type	Rotary
Refrigerant Type	R410A
Outdoor Electronic Expansion Valve (EEV)	YES
Indoor TXV Control	YES
Basepan With Electric Heater	YES
Compressor With Electric Heater	YES
Outdoor Fin Coating	Acrylic Resin
Intelligent Defrosting	YES
Intelligent Preheating	YES
Low Voltage Startup	YES
Memory/Power Failure Recovery	YES
Self Diagnosis	YES
Low Ambient Cooling	YES
24VAC Thermostat Compatible	YES
Indoor Fan Type	Centrifugal
Multi Fan Speeds	3 Speeds
Auxiliary Electrical Heater	Optional

FAN PERFORMANCE CURVES



Static Pressure - InWc	0	0.1	0.15	0.2	0.3	0.4
Speed 1-CFM	1100	1000	950	900	750	580
Speed 2-CFM	1130	1030	990	940	800	650
Speed 3-CFM	1160	1050	1020	970	850	700

COOLING PERFORMANCE

Outdoor Ambient Temperature (DB)		Return Air Temperature											
		60°F (15°C)				70°F (21°C)				80°F (27°C)			
		Capacity	Input Power (watts)	EER	SHC	Capacity	Input Power (watts)	EER	SHC	Capacity	Input Power (watts)	EER	SHC
50°F	15600	1320	11.81	11970	20400	1560	13.07	15600	24000	1650	16.38	18420	
65°F	15600	1504	10.37	12220	20400	1790	11.4	15980	24000	1880	13.65	18800	
75°F	15600	1096	14.23	12190	20400	1300	15.69	15900	24000	1370	13.31	18760	
85°F	15600	2040	7.64	10810	20400	2420	8.42	14140	24000	2550	12.97	16600	
95°F	15600	2292	6.8	10780	20400	2720	7.49	14100	24000	2865	12.52	16500	
105°F	15600	2560	6.09	10960	20400	3040	6.71	14340	24000	3200	9.55	16870	
115°F	15600	2360	6.61	11990	20400	2800	7.28	15680	24000	2950	8.53	18450	

HEATING PERFORMANCE

Outdoor Ambient Temperature (DB)		Return Air Temperature											
		60°F (15°C)				70°F (21°C)				80°F (27°C)			
		TC (BtuH)	Input Power (watts)	COP		TC (BtuH)	Input Power (watts)	COP		TC (BtuH)	Input Power (watts)	COP	
-22°F	18900	3840	4.92		18720	3920	4.77		18340	3960	4.63		
-15°F	22220	3920	5.66		22000	4000	5.49		21560	4040	5.33		
-5°F	24240	4110	5.89		24000	4200	5.71		23520	4240	5.55		
5°F	24240	3280	7.39		24000	3350	7.16		23520	3380	6.95		
17°F	24240	3360	7.21		24000	3430	6.99		23520	3460	6.79		
32°F	24240	2650	9.14		24000	2700	8.87		23520	2730	8.61		
47°F	24240	1880	12.89		24000	1920	12.50		23520	1940	12.12		
60°F	30300	2360	12.83		30000	2410	12.45		29400	2430	12.09		

LEGEND

DB --- Dry Bulb

WB --- Wet Bulb

TC --- Total Capacity (BtuH)

SC --- Sensible Capacity (BtuH)

Input Power---(Watts)

COP---Coefficient Of Performance

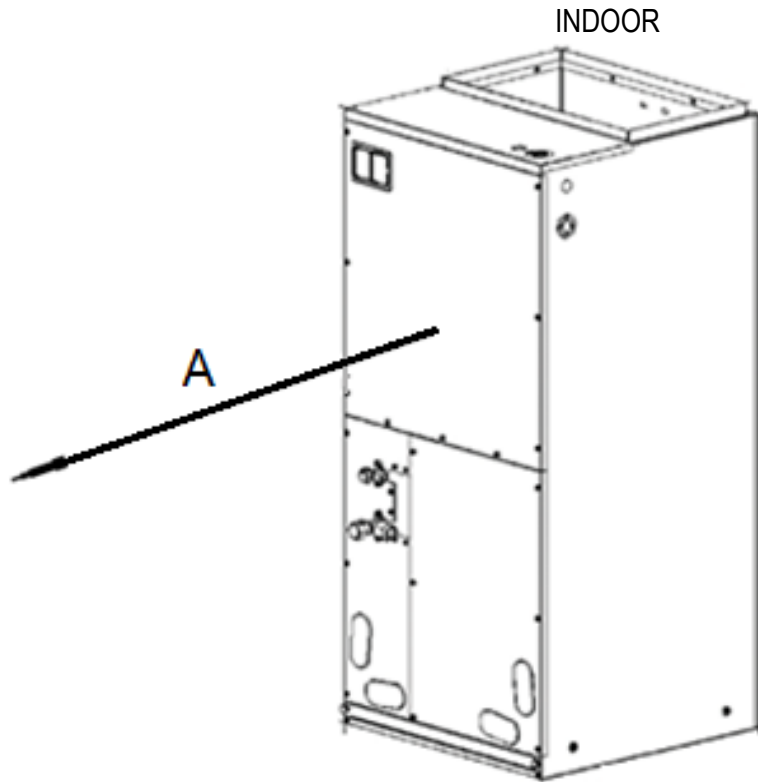
Specifications are subject to change without notice. Manufacturer reserves the right to discontinue or modify specifications or designs

without notice or without incurring obligations. All rights reserved.

Submittal Data: FLEXX24HP230V1AH

MINIMUM SPACING REQUIREMENTS

Units: inches



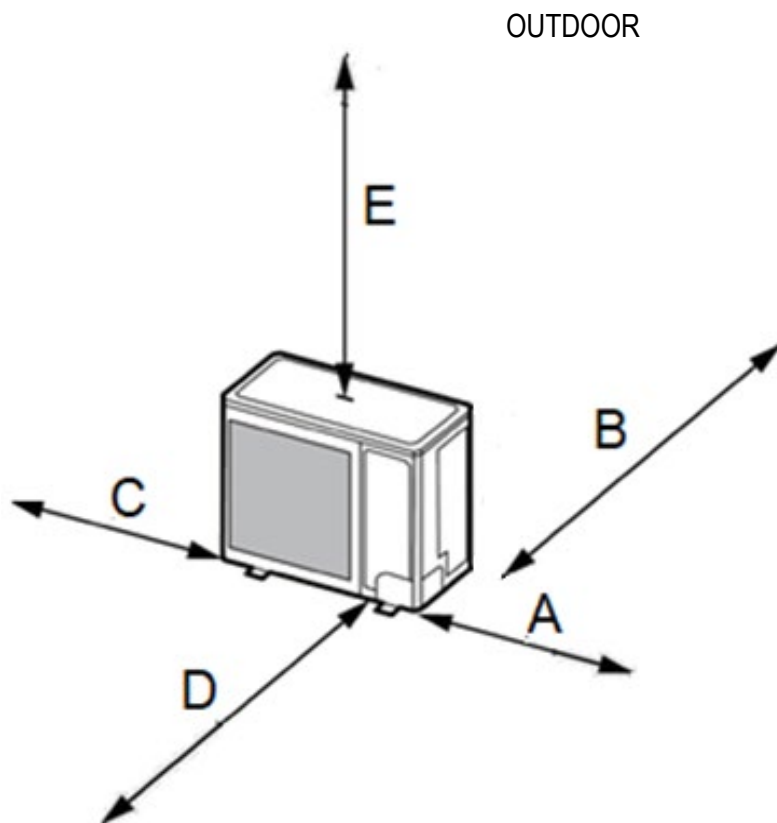
A	24
ALL OTHER SIDES	0

ALWAYS CHECK AND FOLLOW STATE AND LOCAL CODE REGULATIONS FOR MINIMUM SPACING REQUIREMENTS

FLEXX36HP230V1AO

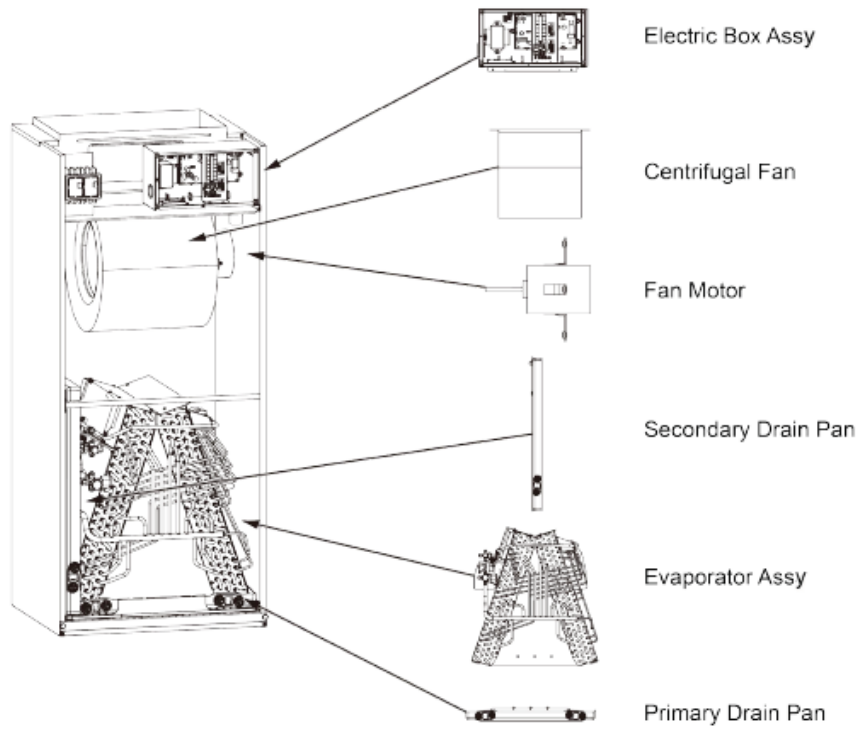
MINIMUM SPACING REQUIREMENTS

Units: inches



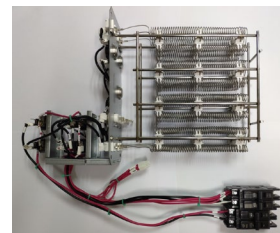
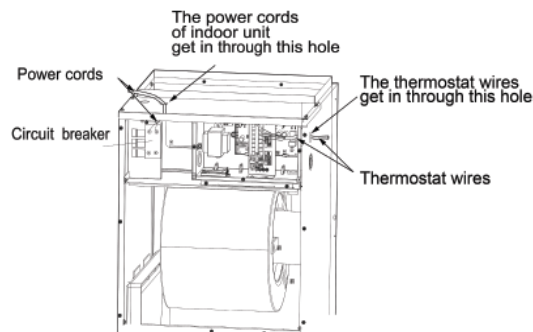
A	12
B	4
C	4
D	40
E	40

ALWAYS CHECK AND FOLLOW STATE AND LOCAL CODE REGULATIONS FOR MINIMUM SPACING REQUIREMENTS



Model	Cooling Capacity (ton)	Optional Electric Heater	KW
FLEXX36,48,60HP230V1AH	3.0 / 4.0 / 5.0	FLEXXHTR10KW	10
FLEXX48,60HP230V1AH	4.0 / 5.0	FLEXXHTR15KW	15
FLEXX48,60HP230V1AH	4.0 / 5.0	FLEXXHTR20KW	20

Power Supply	V	240	240	240	240	240
Rated Power	kW	5	8	10		
Min. Circuit Ampacity	A	25	40	50		
Max. Fuse or Breaker Ampacity	A	30	45	60		



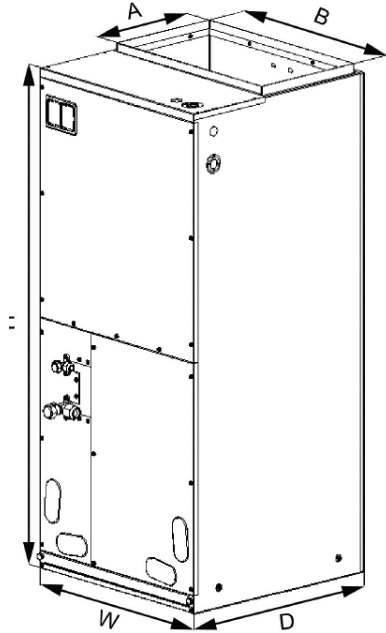
Specifications are subject to change without notice. Manufacturer reserves the right to discontinue or modify specifications or designs

DIMENSIONAL SPECIFICATIONS

FLEXX24HP230V1AH

INDOOR UNIT DIMENSIONS & WEIGHTS

Units: inch



W	21-1/4
D	21-1/4
H	48-1/4
A	11-5/8
B	20

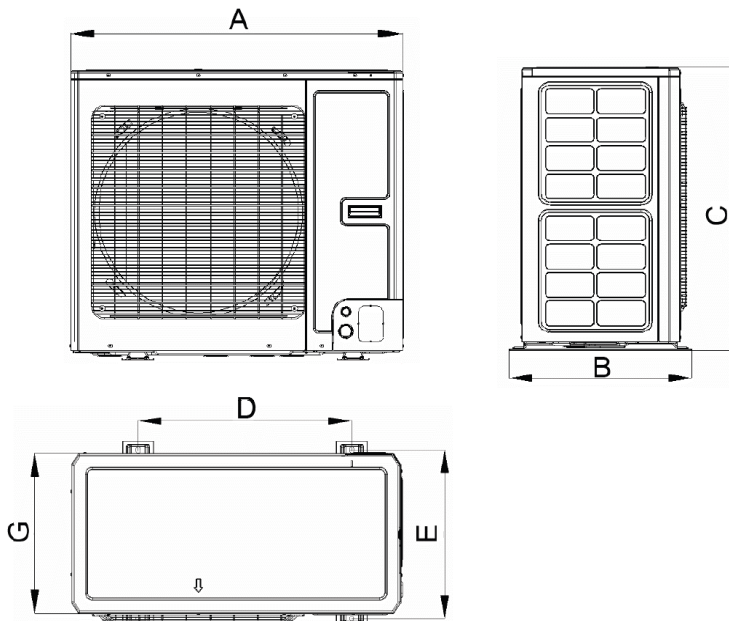
Net Weight (lbs)	156.5
Shipping Weight (lbs)	170

Liquid Line Valve	3/8-in OD Brazed
Gas Line Valve	3/4-in OD Brazed
Drain Connector	3/4 in OD

FLEXX36HP230V1AO

OUTDOOR UNIT DIMENSIONS & WEIGHTS

Units: inch



A	37
B	20-7/8
C	32-1/4
D	24
E	19-1/8
G	18-1/8

Net Weight (lbs)	217.2
Shipping Weight (lbs)	240

Liquid Line Valve	3/8-in OD Brazed
Gas Line Valve	3/4-in OD Brazed

Notes:

1. Power wiring size must comply with applicable national and local codes for both ID and OD dedicated circuits.
2. Test conditions are based on AHRI 210/240.

Specifications are subject to change without notice. Manufacturer reserves the right to discontinue or modify specifications or designs without notice or without incurring obligations. All rights reserved.