



Submittal Data Sheet
 1.0-Ton Mini-Split with Heat Pump
 FTX12BXVJURX12BXVJU

| MODEL | | INDOOR UNIT | | FTX12BXVJU | |
|--|-------------------------|-----------------------------|----------------------|-------------|----------------------|
| | | OUTDOOR UNIT | | RX12BXVJU | |
| | | | | Cooling | Heating |
| Rated Capacity (Min. ~ Max.) | | kW | 3.20 (1.30 - 3.90) | | 3.96 (1.30 - 4.80) |
| | | Btu/h | 10900 (4400 - 13300) | | 13500 (4400 - 16400) |
| Moisture Removal | | gal/h | 0.18 | | |
| Rated Running Current | | A | 3.95 | | 4.70 |
| Rated Power Consumption | | W | 872 | | 1038 |
| EER2 | | Btu/h/W | 12.5 | | N/A |
| SEER2 | | | 20.0 | | N/A |
| COP | | W/W | N/A | | 3.80 |
| HSPF2 | | | N/A | | 10.0 |
| Piping Connections | Liquid | inch (mm) | 1/4" (6.35) | | |
| | Gas | inch (mm) | 3/8" (9.52) | | |
| Refrigerant | Type | | R410A | | |
| | Charge | lbs (kg) | 2.09 (0.95) | | |
| Max. Interunit Piping Length | | ft (m) | 65-5/8 (20) | | |
| Max. Interunit Height Difference | | ft (m) | 49-1/4 (15) | | |
| Chargeless | | ft (m) | 32-13/16 (10) | | |
| Amount of Additional Charge of Refrigerant | | oz/ft (g/m) | 0.21 (20) | | |
| INDOOR UNIT | | FTX12BXVJU | | | |
| Front Panel Color | | WHITE | | | |
| Airflow Rate | Turbo | CFM | 473 | | |
| | High | CFM | 436 | 412 | |
| | Medium | CFM | 316 | | |
| | Low | CFM | 247 | | |
| | Quiet | CFM | 132 | 210 | |
| Sound Pressure Level (H/M/L/Q) | | dBA | 46/38/32/19 | 45/37/31/26 | |
| Fan | Type | CROSS FLOW | | | |
| | Drive | DIRECT | | | |
| | Speed | 3 STEPS, QUIET, AUTO, TURBO | | | |
| Fan Motor | Type | DIRECT CURRENT | | | |
| | Motor Output | W | 22 | | |
| | Running Current (Rated) | A | 0.10 | | |

Daikin Comfort Technologies North America, Inc 19001 Kermier Rd Waller TX 77484
 Daikin City Generated Submittal Data www.daikincomfort.com or www.daikinac.com

(Daikin's products are subject to continuous improvements. Daikin reserves the right to modify product design, specifications, and information in this data sheet without notice and without incurring any obligations)







Submittal Data Sheet
 1.0-Ton Mini-Split with Heat Pump
 FTX12BXVJURX12BXVJU

| | | | | |
|---|----------------------------------|------------------|---|-----|
| | Power Consumption (Rated) | W | 29 | |
| Air Direction Control | | | UP, DOWN, LEFT, RIGHT | |
| Air Filter | | | CATECHIN | |
| Dimensions (H x W x D) | | inch (mm) | 11-1/3 x 30-29/32 x 9-27/32 (288 x 785 x 250) | |
| Weight | | lbs (kg) | 21.4 (9.7) | |
| Condensate Drain Size | | inch (mm) | 5/8 (16) | |
| Document No. | | | 3D143550B | |
| OUTDOOR UNIT | | | RX12BXVJU | |
| Casing Color | | | IVORY WHITE | |
| Airflow Rate | High | CFM | 1051 | 966 |
| Sound Pressure Level | | dB(A) | 49 | |
| Fan | Type | | PROPELLER | |
| | Drive | | DIRECT | |
| Fan Motor | Type | | DIRECT CURRENT | |
| | Index of protection (IP) | | 24 | |
| | Insulation Grade | | E | |
| | Running Current (Rated) | A | 0.61 | |
| | Power Consumption (Rated) | W | 46 | |
| | Motor Output | W | 26 | |
| | Poles | | 8 | |
| Compressor | Type | | HERMETIC SWING | |
| | Model | | 1YC23AUXDA | |
| | Oil type | | DAPHNE FVC50K | |
| | Oil amount | oz (cm3) | 12.4 (375) | |
| Heat Exchanger Type | | | FIN TUBE | |
| Dimensions (H x W x D) | | inch (mm) | 21-11/16 x 26-1/2 x 11-3/16 (550 x 675 x 284) | |
| Weight | | lbs (kg) | 62 (28) | |
| Gross Weight | | lbs (kg) | 68 (31) | |
| COOLING | | | HEATING | |
| INDOOR: 80°FDB (26.7°CDB) / 67°FWB (19.4°CWB) | | | INDOOR: 70°FDB (21.1°CDB) | |
| OUTDOOR: 95°FDB (35°CDB) | | | OUTDOOR: 47°FDB (8.3°CDB) / 43°FWB (6.1°CWB) | |

Daikin Comfort Technologies North America, Inc 19001 Kermier Rd Waller TX 77484
 Daikin City Generated Submittal Data www.daikincomfort.com or www.daikinac.com

(Daikin's products are subject to continuous improvements. Daikin reserves the right to modify product design, specifications, and information in this data sheet without notice and without incurring any obligations)

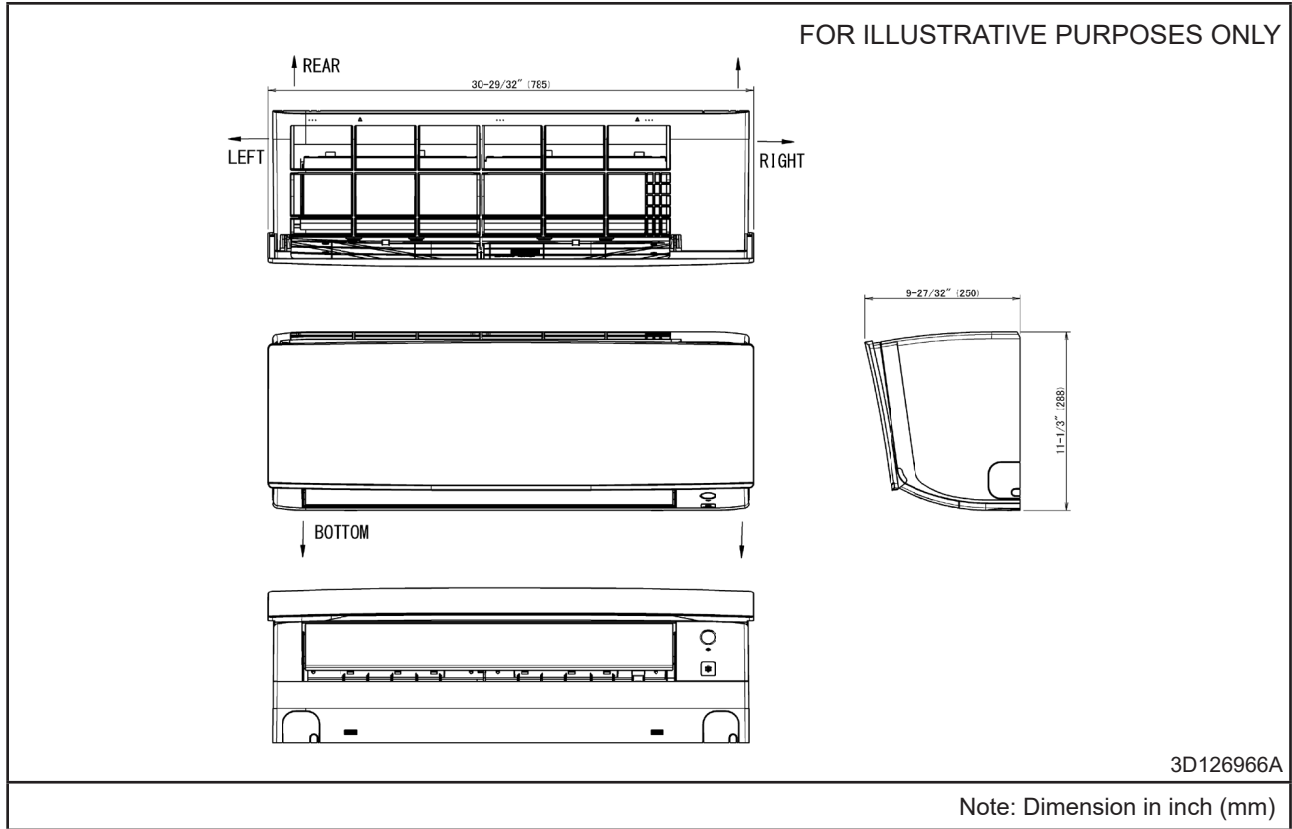
Product Line-up for R410A Inverter

| Class | 09 | 12 |
|---------|--|--|
| Indoor |  <p data-bbox="592 943 842 1025"><i>FTK09BXVJU</i> <i>FTX09BXVJU</i></p> |  <p data-bbox="1129 943 1380 1025"><i>FTK12BXVJU</i> <i>FTX12BXVJU</i></p> |
| Outdoor |  <p data-bbox="603 1648 837 1731"><i>RK09BXVJU</i> <i>RX09BXVJU</i></p> |  <p data-bbox="1141 1648 1375 1731"><i>RK12BXVJU</i> <i>RX12BXVJU</i></p> |

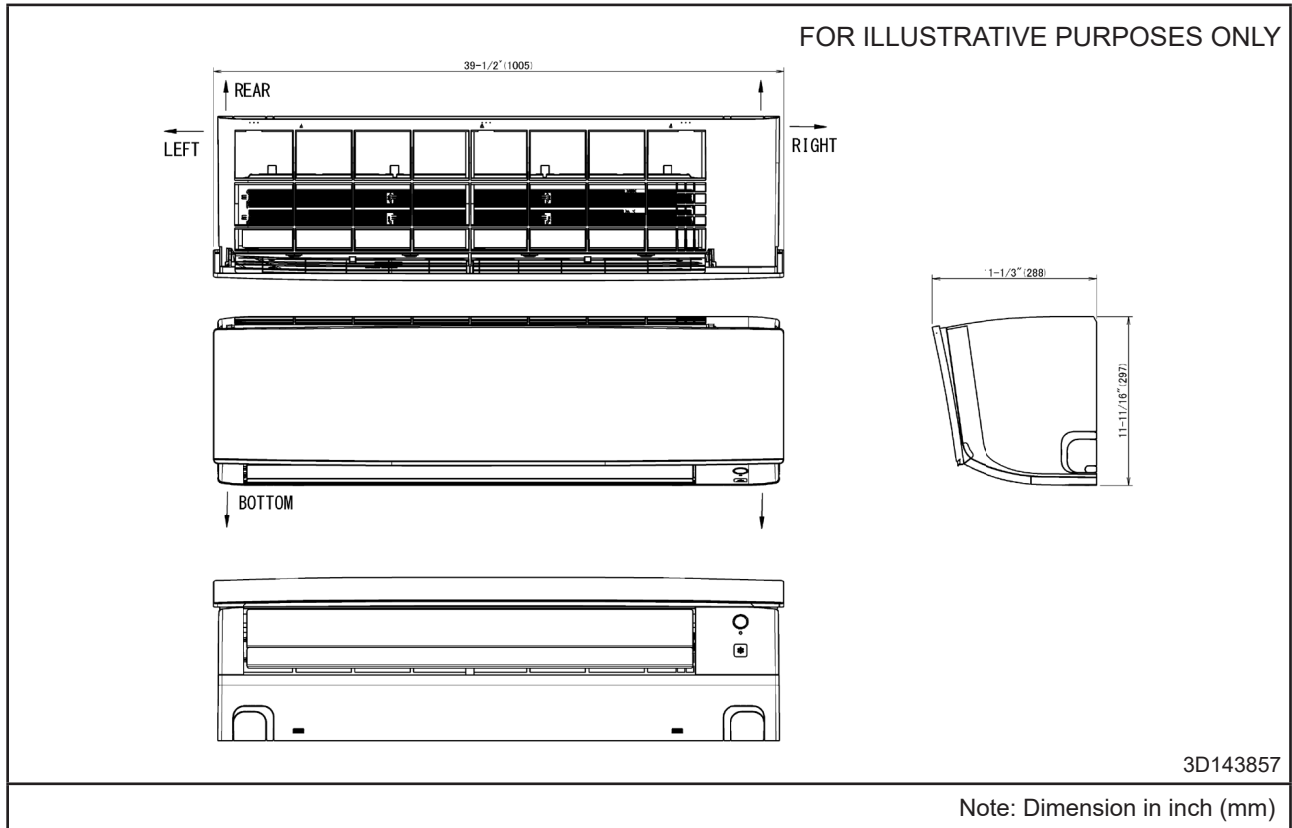
Dimensions

Indoor Unit

Model : FTK09/12B, FTX09/12B



Model : FTK18/24B, FTX18/24B



Outdoor Unit

Model : RK09/12B, RX09/12B

FOR ILLUSTRATIVE PURPOSES ONLY

3D126963B

Note: Dimension in inch (mm)

Model : RK18/24B, RX18/24B

FOR ILLUSTRATIVE PURPOSES ONLY

3D126954C

Note: Dimension in inch (mm)