



# DZ14S COMMERCIAL

Cooling Capacity: 34,600 to 56,500 BTU/h  
Heating Capacity: 32,800 to 59,000 BTU/h

3 - 5 TON, THREE-PHASE  
SPLIT SYSTEM HEAT PUMP  
14 SEER / R-410A



■ Contents	
Nomenclature .....	2
Product Specifications .....	3
Expanded Cooling Data.....	4
Expanded Heating Data .....	10
AHRI Ratings.....	11
Dimensions.....	14
Wiring Diagram .....	15
Accessories.....	16

## ■ Standard Features

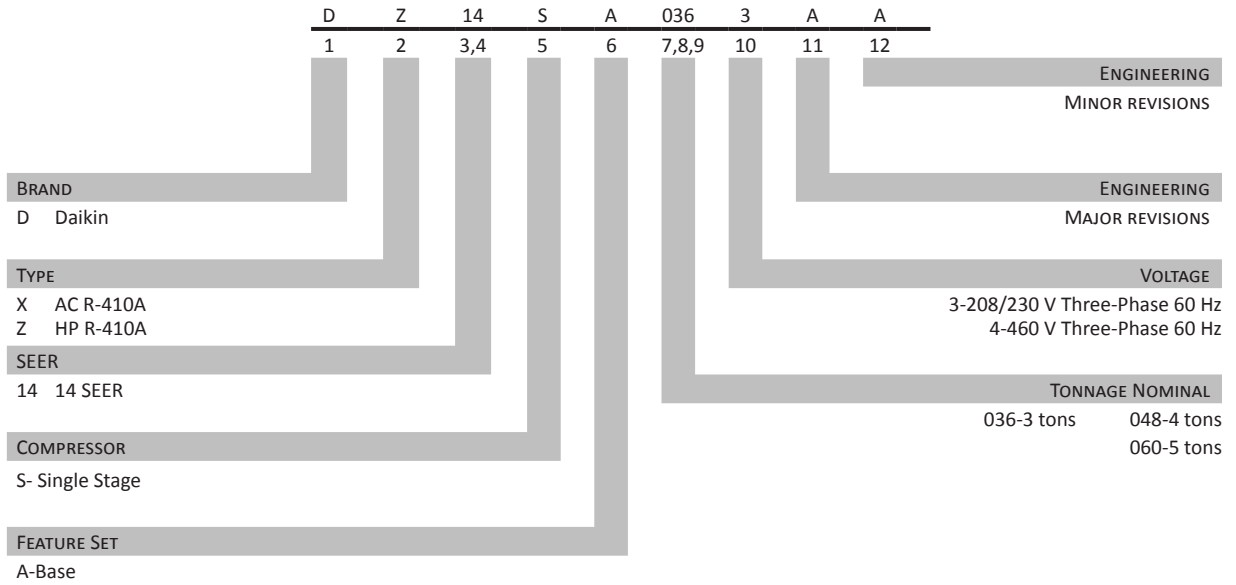
- R-410A chlorine-free refrigerant
- Energy-efficient scroll compressor
- Low-pressure switch
- Liquid refrigerant return protection
- Factory-installed, bi-flow liquid-line filter drier
- Service valves with sweat connections and easy-access gauge ports
- Copper tube/enhanced aluminum fin coil
- Reliable time-initiated, temperature-terminated defrost control
- Contactor with lug connection
- Ground lug connection
- Units meet the performance outlined in Table 6.8.1-2 of ASHRAE Standard 90.1-2013
- AHRI Certified; ETL Listed

## ■ Cabinet Features

- Innovative sound control top design
- Steel louver coil guard
- Heavy-gauge galvanized-steel cabinet
- Attractive Nickel Gray powder-paint finish
- Top and side maintenance access
- Service ports and controls are accessible while unit is operating
- When properly anchored, meets the 2010 Florida Building Code unit integrity requirements for hurricane-type winds (Anchor bracket kits available.)



\* Complete warranty details available from your local distributor or manufacturer's representative or at [www.daikincomfort.com](http://www.daikincomfort.com).



	DZ14SA 0363A*	DZ14SA 0364A*	DZ14SA 0483A*	DZ14SA 0484A*	DZ14SA 0603A*	DZ14SA 0604A*
<b>NOMINAL CAPACITIES</b>						
Cooling (BTU/h)	34,600	34,600	45,000	45,000	56,500	56,500
Heating (BTU/h)	32,800	32,800	44,500	44,500	59,000	59,000
SEER	14	14	14	14	14	14
Decibels	74	74	76	76	75	75
<b>COMPRESSOR</b>						
RLA	11.6	6.4	15.4	6.9	16.0	7.8
LRA	73.0	38.0	83.1	41.0	110.0	52.0
Type	Scroll	Scroll	Scroll	Scroll	Scroll	Scroll
<b>CONDENSER FAN MOTOR</b>						
Horsepower	1/6	1/6	1/4	1/4	1/4	1/4
FLA	0.95	0.60	1.50	0.80	1.50	0.80
<b>REFRIGERATION SYSTEM</b>						
Refrigerant Line Size						
Liquid Line Size ("O.D.)	3/8"	3/8"	3/8"	3/8"	3/8"	3/8"
Suction Line Size ("O.D.)	7/8"	7/8"	1 1/8"	1 1/8"	1 1/8"	1 1/8"
Refrigerant Connection Size						
Liquid Valve Size ("O.D.)	3/8"	3/8"	3/8"	3/8"	3/8"	3/8"
Suction Valve Size ("O.D.) <sup>3 4</sup>	3/4"	3/4"	7/8"	7/8"	7/8"	7/8"
Valve Connection Type	Sweat	Sweat	Sweat	Sweat	Sweat	Sweat
Refrigerant Charge (oz.)	112	112	133	133	205	205
Shipped with Orifice Size	0.072	0.072	0.080	0.080	0.088	0.088
<b>ELECTRICAL DATA</b>						
Volts / Hz / Phase	208/230-60-3	460-60-3	208/230-60-3	460-60-3	208/230-60-3	460-60-3
Min. Circuit Ampacity <sup>1</sup>	14.1	7.8	18.7	8.6	21.5	10.6
Max. Overcurrent Device <sup>2</sup>	20	15	30	15	35	15
Min / Max Volts	197/253	414/506	197/253	414/506	197/253	414/506
Electrical Conduit Size	1/2" or 3/8"	1/2" or 3/4"	1/2" or 3/4"	1/2" or 3/4"	1/2" or 3/4"	1/2" or 3/4"
<b>SHIP WEIGHT (LBS)</b>						
	232	231	235	234	262	261

<sup>1</sup> Wire size should be determined in accordance with National Electrical Codes; extensive wire runs will require larger wire sizes

<sup>2</sup> Must use time-delay fuses or HACR-type circuit breakers of the same size as noted.

<sup>3</sup> Installer will need to supply 3/4" to 7/8" adapters for suction line connections.

<sup>4</sup> Installer will need to supply 7/8" to 1 1/8" adapters for suction line connections.

**NOTES**

- Always check the S&R plate for electrical data on the unit being installed.
- Unit is charged with refrigerant for 15' of 3/8" liquid line. System charge must be adjusted per Installation Instructions Final Charge Procedure.



IDB	AIRFLOW	OUTDOOR AMBIENT TEMPERATURE																										
		65				75				85				95				105				115						
		59	63	67	71	59	63	67	71	59	63	67	71	59	63	67	71	59	63	67	71	59	63	67	71			
80	1070	MBh	36.5	37.0	38.1	39.7	36.2	36.7	37.7	39.4	35.2	35.7	36.8	38.4	33.6	34.1	35.2	36.8	31.7	32.2	33.2	34.9	29.9	30.4	31.4	33.1		
		S/T	0.90	0.82	0.69	0.55	1.00	0.83	0.70	0.56	1.00	0.85	0.72	0.58	1.00	0.87	0.74	0.60	1.00	1.00	1.00	0.76	0.62	1.00	1.00	0.81	0.67	
		ΔT	28	26	22	19	28	26	22	19	27	26	23	19	28	26	22	19	28	28	26	22	18	29	27	23	20	
	1200	kW	2.17	2.17	2.16	2.18	2.43	2.43	2.43	2.45	2.73	2.73	2.72	2.74	3.05	3.05	3.04	3.06	3.41	3.41	3.41	3.40	3.42	3.83	3.83	3.82	3.84	
		Amps	8.3	8.3	8.2	8.3	9.5	9.5	9.5	9.6	10.8	10.8	10.8	10.9	12.3	12.3	12.3	12.4	13.9	13.9	13.9	13.9	14.0	15.9	15.9	15.8	15.9	
		HI PR	264	265	267	272	305	306	308	313	349	350	351	356	395	396	398	403	445	446	446	448	453	499	500	502	506	
	1350	LO PR	122	123	127	132	129	131	134	139	136	137	140	145	141	143	146	151	146	148	148	151	156	153	154	157	163	
		MBh	37.0	37.5	38.6	40.2	36.7	37.2	38.3	39.9	35.8	36.3	37.4	39.0	34.2	34.7	35.7	37.4	32.2	32.7	33.8	35.4	30.4	30.9	32.0	33.6		
		S/T	1.00	0.86	0.72	0.58	1.00	0.86	0.73	0.59	1.00	0.89	0.75	0.61	1.00	0.90	0.77	0.63	1.00	1.00	1.00	0.79	0.65	1.00	1.00	0.84	0.71	
	85	1070	ΔT	27	25	21	18	27	25	21	18	27	25	22	18	27	25	21	18	27	25	21	17	28	26	22	19	
			kW	2.18	2.18	2.17	2.19	2.45	2.44	2.44	2.46	2.74	2.74	2.74	2.76	3.06	3.06	3.06	3.08	3.42	3.42	3.42	3.41	3.43	3.84	3.84	3.83	3.85
			Amps	8.3	8.3	8.3	8.4	9.5	9.5	9.5	9.6	10.9	10.9	10.9	11.0	12.4	12.4	12.4	12.4	14.0	14.0	14.0	14.0	14.1	15.9	15.9	15.9	16.0
1200		HI PR	266	267	269	274	307	309	310	315	351	352	354	358	397	398	400	405	447	448	448	450	455	501	502	504	508	
		LO PR	124	125	128	133	131	133	136	141	138	139	142	147	143	144	147	153	148	150	150	153	158	155	156	159	164	
		MBh	37.8	38.3	39.4	41.0	37.5	38.0	39.1	40.7	36.5	37.1	38.1	39.8	34.9	35.4	36.5	38.1	33.0	33.5	34.5	36.2	31.2	31.7	32.8	34.4		
1350		S/T	1.00	0.87	0.73	0.60	1.00	0.87	0.74	0.60	1.00	0.90	0.77	0.63	1.00	1.00	0.78	0.64	1.00	1.00	1.00	0.81	0.67	1.00	1.00	0.86	0.72	
		ΔT	26	24	20	17	26	24	20	17	26	24	21	17	26	24	20	17	26	24	20	16	27	25	21	18		
		kW	2.19	2.19	2.19	2.21	2.46	2.46	2.45	2.47	2.75	2.75	2.75	2.77	3.07	3.07	3.07	3.09	3.43	3.43	3.43	3.42	3.44	3.85	3.85	3.84	3.86	
85		1070	Amps	8.4	8.4	8.4	8.4	9.6	9.6	9.6	9.7	10.9	10.9	10.9	11.0	12.4	12.4	12.4	12.5	14.0	14.0	14.0	14.1	16.0	16.0	16.0	16.0	
			HI PR	265	266	268	273	307	308	310	314	350	351	353	357	396	397	399	404	446	448	449	454	500	501	503	507	
			LO PR	124	125	128	133	131	133	136	141	137	139	142	147	143	144	147	152	148	150	150	153	158	155	156	159	164
	1200	MBh	37.6	38.1	39.2	40.8	37.3	37.8	38.9	40.5	36.4	36.9	38.0	39.6	34.8	35.3	36.4	38.0	32.8	33.3	34.4	36.0	31.0	31.5	32.6	34.2		
		S/T	1.00	0.95	0.82	0.68	1.00	0.96	0.83	0.69	1.00	1.00	0.85	0.71	1.00	1.00	0.87	0.73	1.00	1.00	1.00	0.89	0.75	1.00	1.00	0.80		
		ΔT	31	29	25	21	31	29	25	21	31	29	25	22	31	29	25	21	30	28	25	21	31	30	26	22		
	1350	kW	2.19	2.18	2.18	2.20	2.45	2.45	2.44	2.46	2.75	2.74	2.74	2.76	3.07	3.06	3.06	3.08	3.42	3.42	3.42	3.44	3.84	3.84	3.84	3.86		
		Amps	8.4	8.3	8.3	8.4	9.6	9.6	9.5	9.6	10.9	10.9	10.9	11.0	12.4	12.4	12.4	12.4	14.0	14.0	14.0	14.1	15.9	15.9	15.9	16.0		
		HI PR	267	269	270	275	309	310	312	316	352	353	355	359	398	399	401	406	448	450	451	456	502	503	505	509		
	85	LO PR	126	127	130	135	133	134	137	143	139	141	144	149	145	146	149	154	150	151	155	160	157	158	161	166		
		MBh	38.4	38.9	40.0	41.6	38.1	38.6	39.7	41.3	37.2	37.7	38.7	40.4	35.5	36.0	37.1	38.8	33.6	34.1	35.2	36.8	31.8	32.3	33.4	35.0		
		S/T	1.00	0.97	0.83	0.69	1.00	1.00	0.84	0.70	1.00	1.00	0.86	0.72	1.00	1.00	0.88	0.74	1.00	1.00	1.00	0.90	0.77	1.00	1.00	0.82		
85	ΔT	30	28	24	21	30	28	24	20	30	28	24	21	30	28	24	20	29	27	24	20	31	29	25	21			
	kW	2.20	2.20	2.19	2.21	2.46	2.46	2.46	2.48	2.76	2.76	2.75	2.77	3.08	3.08	3.07	3.09	3.44	3.43	3.43	3.45	3.86	3.85	3.85	3.87			
	Amps	8.4	8.4	8.4	8.5	9.6	9.6	9.6	9.7	11.0	11.0	10.9	11.0	12.4	12.4	12.4	12.5	14.1	14.1	14.1	14.1	16.0	16.0	16.0	16.1			
85	HI PR	270	271	273	277	311	312	314	319	354	355	357	362	401	402	404	408	451	452	454	458	504	506	507	512			
	LO PR	128	130	133	138	135	137	140	145	142	143	146	151	147	149	152	157	153	154	157	162	159	161	164	169			
	MBh	37.1	37.6	38.7	40.3	36.8	37.3	38.3	40.0	35.8	36.3	37.4	39.0	34.2	34.7	35.8	37.4	32.3	32.8	33.8	35.5	30.5	31.0	32.0	33.7			

IDB: Entering Indoor Dry Bulb Temperature  
 High and low pressures are measured at the liquid and suction service valves.  
 Shaded area is AHRI conditions.  
 KW=Total system power  
 Amps = outdoor unit amps (comp.+fan)









IDB		OUTDOOR AMBIENT TEMPERATURE																							
		65				75				85				95				105				115			
		59	63	67	71	59	63	67	71	59	63	67	71	59	63	67	71	59	63	67	71	59	63	67	71
		ENTERING INDOOR WET BULB TEMPERATURE																							
1790	MBh	58.6	59.4	61.1	63.7	58.1	58.9	60.6	63.2	56.6	57.4	59.1	61.7	54.0	54.8	56.5	59.1	50.8	51.6	53.3	56.0	47.9	48.7	50.5	53.1
	S/T	0.92	0.85	0.71	0.57	1.00	0.85	0.72	0.57	1.00	0.88	0.74	0.60	1.00	0.90	0.76	0.62	1.00	0.92	0.78	0.64	1.00	1.00	0.84	0.69
	ΔT	27	25	22	18	27	25	22	18	27	25	22	18	27	25	22	18	27	25	21	18	28	26	23	19
	kW	3.35	3.35	3.34	3.38	3.78	3.78	3.77	3.80	4.25	4.25	4.24	4.27	4.76	4.76	4.75	4.79	5.34	5.33	5.33	5.36	6.01	6.00	6.00	6.03
	Amps	13.2	13.1	13.1	13.3	15.1	15.1	15.1	15.2	17.3	17.3	17.2	17.4	19.6	19.6	19.6	19.6	22.2	22.2	22.2	22.3	25.3	25.3	25.3	25.4
2000	HI PR	258	259	261	266	299	300	302	306	341	342	344	348	386	387	389	394	435	436	438	443	488	489	491	495
	LO PR	117	118	121	126	124	125	128	133	130	131	134	139	135	137	140	144	140	142	145	150	147	148	151	156
	MBh	59.4	60.2	61.9	64.6	58.9	59.7	61.4	64.1	57.4	58.2	59.9	62.6	54.8	55.6	57.3	60.0	51.7	52.5	54.2	56.8	48.8	49.6	51.3	53.9
	S/T	0.96	0.88	0.74	0.60	1.00	0.89	0.75	0.61	1.00	0.91	0.78	0.63	1.00	0.93	0.79	0.65	1.00	0.95	0.82	0.67	1.00	1.00	0.87	0.73
	ΔT	26	24	21	17	26	24	21	17	26	25	22	18	26	24	21	17	26	24	21	17	27	25	22	18
2250	kW	3.37	3.37	3.36	3.39	3.80	3.79	3.79	3.82	4.27	4.27	4.26	4.29	4.78	4.78	4.77	4.80	5.35	5.35	5.34	5.38	6.02	6.02	6.01	6.05
	Amps	13.2	13.2	13.2	13.3	15.2	15.2	15.1	15.3	17.4	17.3	17.3	17.5	19.7	19.7	19.6	19.8	22.3	22.3	22.3	22.4	25.4	25.4	25.3	25.5
	HI PR	260	261	263	268	301	302	304	308	343	344	346	350	388	389	391	396	437	438	440	445	490	491	493	497
	LO PR	119	120	123	128	126	127	130	135	132	133	136	141	137	138	141	146	142	143	146	151	148	150	153	158
	MBh	60.6	61.4	63.2	65.8	60.1	60.9	62.6	65.3	58.6	59.4	61.1	63.8	56.0	56.8	58.6	61.2	52.9	53.7	55.4	58.0	50.0	50.8	52.5	55.1
80	S/T	0.97	0.89	0.76	0.61	1.00	0.90	0.76	0.62	1.00	0.92	0.79	0.64	1.00	0.94	0.81	0.66	1.00	1.00	0.83	0.69	1.00	1.00	0.88	0.74
	ΔT	25	23	20	16	25	23	20	16	25	24	21	17	25	23	20	16	25	23	20	16	26	24	21	17
	kW	3.39	3.39	3.38	3.41	3.81	3.81	3.80	3.84	4.29	4.28	4.28	4.31	4.80	4.80	4.79	4.82	5.37	5.37	5.36	5.39	6.04	6.04	6.03	6.06
	Amps	13.3	13.3	13.3	13.4	15.3	15.3	15.2	15.4	17.4	17.4	17.4	17.5	19.8	19.8	19.7	19.9	22.4	22.4	22.3	22.5	25.5	25.5	25.4	25.6
	HI PR	263	264	266	270	303	304	306	310	345	346	348	353	391	392	394	398	440	441	443	447	492	493	495	499
LO PR	121	123	125	130	128	129	132	137	134	136	139	143	139	141	144	149	144	146	149	154	151	152	155	160	

1790	MBh	59.5	60.3	62.1	64.7	59.0	59.8	61.6	64.2	57.5	58.3	60.1	62.7	54.9	55.8	57.5	60.1	51.8	52.6	54.3	56.9	48.9	49.7	51.4	54.1
	S/T	1.00	0.95	0.81	0.67	1.00	0.96	0.82	0.68	1.00	0.98	0.84	0.70	1.00	1.00	0.86	0.72	1.00	1.00	0.89	0.74	1.00	1.00	0.94	0.79
	ΔT	31	29	25	22	31	29	25	22	31	29	26	22	31	29	25	22	30	29	25	22	32	30	26	23
	kW	3.36	3.36	3.35	3.38	3.79	3.78	3.78	3.81	4.26	4.26	4.25	4.28	4.77	4.77	4.76	4.79	5.34	5.34	5.33	5.37	6.02	6.01	6.00	6.04
	Amps	13.2	13.2	13.2	13.3	15.1	15.1	15.1	15.2	17.3	17.3	17.3	17.4	19.7	19.7	19.6	19.8	22.3	22.3	22.2	22.4	25.3	25.3	25.3	25.4
2000	HI PR	260	261	262	267	300	301	303	307	342	343	345	349	388	389	390	395	437	438	439	444	489	490	492	496
	LO PR	119	120	123	128	126	127	130	135	132	133	136	141	137	138	141	146	142	143	146	151	148	150	153	158
	MBh	60.4	61.2	62.9	65.5	59.9	60.7	62.4	65.0	58.4	59.2	60.9	63.5	55.8	56.6	58.3	60.9	52.6	53.4	55.2	57.8	49.7	50.6	52.3	54.9
	S/T	1.00	0.98	0.85	0.70	1.00	0.99	0.85	0.71	1.00	1.00	0.88	0.73	1.00	1.00	0.90	0.75	1.00	1.00	0.92	0.78	1.00	1.00	0.97	0.83
	ΔT	30	28	25	21	30	28	24	21	30	28	25	21	30	28	24	21	30	28	24	21	31	29	25	22
2250	kW	3.38	3.38	3.37	3.40	3.80	3.80	3.79	3.83	4.28	4.27	4.27	4.30	4.79	4.79	4.78	4.81	5.36	5.36	5.35	5.38	6.03	6.03	6.02	6.05
	Amps	13.3	13.3	13.2	13.4	15.2	15.2	15.2	15.3	17.4	17.4	17.3	17.5	19.7	19.7	19.7	19.8	22.4	22.3	22.3	22.5	25.4	25.4	25.4	25.5
	HI PR	261	263	264	269	302	303	305	309	344	345	347	351	390	391	392	397	439	440	441	446	491	492	494	498
	LO PR	120	122	125	130	127	129	132	137	134	135	138	143	139	140	143	148	144	145	148	153	150	152	154	159
	MBh	61.6	62.4	64.1	66.8	61.1	61.9	63.6	66.2	59.6	60.4	62.1	64.7	57.0	57.8	59.5	62.2	53.8	54.7	56.4	59.0	51.0	51.8	53.5	56.1
85	S/T	1.00	0.99	0.86	0.71	1.00	1.00	0.86	0.72	1.00	1.00	0.89	0.75	1.00	1.00	0.91	0.77	1.00	1.00	0.93	0.79	1.00	1.00	0.98	0.84
	ΔT	29	27	24	20	29	27	24	20	29	27	24	20	29	27	24	20	29	27	23	20	30	28	24	21
	kW	3.40	3.39	3.39	3.42	3.82	3.82	3.81	3.84	4.30	4.29	4.28	4.32	4.81	4.80	4.80	4.83	5.38	5.38	5.37	5.40	6.05	6.05	6.04	6.07
	Amps	13.4	13.3	13.3	13.5	15.3	15.3	15.3	15.4	17.5	17.5	17.4	17.6	19.8	19.8	19.8	19.9	22.4	22.4	22.4	22.5	25.5	25.5	25.5	25.6
	HI PR	264	265	267	271	304	305	307	312	346	348	349	354	392	393	395	399	441	442	444	448	493	494	496	501
LO PR	123	124	127	132	130	131	134	139	136	137	140	145	141	142	145	150	146	148	150	155	151	152	154	157	162

IDB: Entering Indoor Dry Bulb Temperature  
 High and low pressures are measured at the liquid and suction service valves.  
 Shaded area is AHRI conditions.  
 KW=Total system power  
 Amps = outdoor unit amps (comp.+fan)

DZ14SA0363A\*+ARUF37C14A\*+TXV • DZ14SA0364A\*+ARUF37C14A\*+TXV

	OUTDOOR AMBIENT TEMPERATURE																	
	65	60	55	50	47	45	40	35	30	25	20	17	15	10	5	0	-5	-10
MBh	42.72	39.94	37.21	34.52	32.80	31.52	28.28	25.30	22.87	21.06	19.72	19.00	18.08	15.78	13.48	11.18	8.88	9.7
T/R	37.0	34.6	32.2	29.9	28.4	27.3	24.5	21.9	19.8	18.2	17.1	16.4	15.6	13.7	11.7	9.7	7.7	9.0
kW	2.81	2.76	2.71	2.66	2.63	2.61	2.56	2.50	2.45	2.40	2.35	2.32	2.30	2.25	2.20	2.15	2.10	1.93
Amps	13.6	12.5	11.6	10.8	10.3	10.0	9.4	8.9	8.4	7.9	7.5	7.3	7.1	6.6	6.2	5.7	5.1	5.9
COP	4.46	4.24	4.03	3.81	3.66	3.55	3.24	2.96	2.73	2.57	2.46	2.40	2.30	2.06	1.80	1.53	1.24	1.25

DZ14SA0483A\*+ARUF61D14A\*+TXV • DZ14SA0484A\*+ARUF61D14A\*+TXV

	OUTDOOR AMBIENT TEMPERATURE																	
	65	60	55	50	47	45	40	35	30	25	20	17	15	10	5	0	-5	-10
MBh	56.58	53.20	49.88	46.61	44.50	42.97	39.18	35.56	32.58	30.41	28.84	28.00	26.90	24.15	21.40	18.65	15.90	12.6
T/R	33.7	31.7	29.7	27.8	26.5	25.6	23.3	21.2	19.4	18.1	17.2	16.7	16.0	14.4	12.7	11.1	9.5	8.1
kW	3.51	3.48	3.44	3.40	3.38	3.36	3.33	3.29	3.25	3.22	3.18	3.16	3.14	3.10	3.07	3.03	2.99	2.32
Amps	17.2	15.8	14.6	13.6	13.0	12.6	11.8	11.1	10.5	9.9	9.4	9.0	8.8	8.2	7.6	7.0	6.2	7.3
COP	4.72	4.49	4.25	4.02	3.86	3.74	3.45	3.17	2.94	2.77	2.66	2.60	2.51	2.28	2.04	1.80	1.56	1.26

DZ14SA0603A\*+ASPT61D14A\*+TXV • DZ14SA0604A\*+ASPT61D14A\*+TXV

	OUTDOOR AMBIENT TEMPERATURE																	
	65	60	55	50	47	45	40	35	30	25	20	17	15	10	5	0	-5	-10
MBh	75.71	71.04	66.44	61.91	59.00	56.89	51.54	46.52	42.41	39.39	37.18	36.00	34.47	30.63	26.80	22.97	19.13	12.6
T/R	38.9	36.5	34.2	31.8	30.3	29.3	26.5	23.9	21.8	20.3	19.1	18.5	17.7	15.8	13.8	11.8	9.8	8.1
kW	4.91	4.79	4.67	4.55	4.48	4.43	4.31	4.20	4.08	3.96	3.84	3.77	3.72	3.60	3.48	3.36	3.25	2.32
Amps	23.4	21.5	19.8	18.4	17.6	17.2	16.1	15.1	14.3	13.5	12.8	12.3	12.0	11.2	10.4	9.5	8.5	7.3
COP	4.52	4.35	4.17	3.99	3.86	3.76	3.50	3.25	3.05	2.92	2.84	2.80	2.71	2.49	2.25	2.00	1.73	1.26

Calculations are based on nominal CFM and 70°F indoor dry bulb.

Amps = Outdoor unit amps (comp.+fan)

Note: Shaded area is AHRI Rating Conditions at 47°F outdoor ambient temperature.

kW = Total system power

OUTDOOR UNIT	INDOOR UNITS COILS/AIR HANDLERS	COOLING RATINGS ^			HEATING RATINGS ^			SCFM	AHRI #
		TOTAL <sup>1</sup>	SEER <sup>2</sup>	EER <sup>3</sup>	47F	HSPF	17F		
DZ14SA 0363A*	ARUF37C14A*+TXV	34600	14.00	11.50	32800	8.20	19000	1010	9121538
	ARUF37D14A*	34400	14.00	11.50	32800	8.20	20000	1070	9121539
	ASPT37B14A*	34000	14.00	12.00	32600	8.20	20000	1120	9121583
	ASPT37C14A*	34600	14.50	12.00	32600	8.50	20000	1120	9121584
	ASPT47C14B*	34400	14.50	12.00	32600	8.50	20000	1075	201835474
	ASPT47D14A*	34800	15.00	12.50	32600	8.50	20000	1180	9121586
	AVPTC37C14A*	34400	14.50	12.00	32600	8.50	20000	1130	10269677
	AVPTC37D14A*	34400	14.50	12.00	32600	8.50	20000	1145	10269678
	AVPTC49D14A*	34600	15.00	12.50	32600	8.50	20000	1075	10269679
	CA*F3137*6A*+MBVC1200**-1A*+TXV	34600	14.00	11.50	32000	8.20	19000	1050	9121591
	CA*F4860*6D*+MBVC2000**-1A*	35600	14.50	12.00	32800	9.00	20000	1160	9121541
	CA*F4860*6D*+MBVC2000**-1A*+TXV	35600	15.00	12.50	32800	9.00	20000	1160	9121542
	CA*F4961*6D*+EEP+TXV	35400	14.00	11.50	33200	8.20	20600	1070	9121543
	CA*F4961*6D*+MBVC1200**-1A*	35600	14.50	12.00	32400	8.50	20000	1050	9121544
	CA*F4961*6D*+MBVC1200**-1A*+TXV	35600	15.00	12.50	32400	8.50	20000	1050	9121545
	CA*F4961*6D*+MBVC1600**-1A*	35600	14.50	12.00	32400	8.50	20000	1075	9121546
	CA*F4961*6D*+MBVC1600**-1A*+TXV	35600	15.00	12.50	32400	8.50	20000	1075	9121547
	CAPT4961*4A*+EEP	34600	14.00	11.50	33200	8.20	20600	1070	9121590
	CHPF4860D6D*+MBVC1600**-1A*	35400	14.50	12.00	32400	8.50	20000	1075	9121548
	CHPF4860D6D*+MBVC1600**-1A*+TXV	35400	15.00	12.50	32400	8.50	20000	1075	9121549
	CHPF4860D6D*+MBVC2000**-1A*	36000	14.50	12.00	32600	8.50	20000	1275	9121550
	CHPF4860D6D*+MBVC2000**-1A*+TXV	36000	15.00	12.50	32600	8.50	20000	1275	9121551
	CSCF4860N6D*+EEP+TXV	34600	14.00	11.50	33000	8.20	20000	1080	9121535
	CSCF4860N6D*+MBVC1200**-1A*	35000	14.00	11.50	32000	8.50	20000	1050	9121552
	CSCF4860N6D*+MBVC1200**-1A*+TXV	35000	14.50	12.00	32000	8.50	20000	1050	9121553
	CSCF4860N6D*+MBVC1600**-1A*	35400	14.50	12.00	32400	8.50	20000	1075	9121554
	CSCF4860N6D*+MBVC1600**-1A*+TXV	35400	15.00	12.50	32400	8.50	20000	1075	9121555
	CSCF4860N6D*+MBVC2000**-1A*	36000	14.50	12.00	32600	8.50	20000	1275	9121556
	CSCF4860N6D*+MBVC2000**-1A*+TXV	36000	15.00	12.50	32600	8.50	20000	1275	9121557
	DV37PTCC14A*	34400	14.50	12.00	32600	8.50	20000	1130	9121592
DV37PTCD14A*	34400	14.50	12.00	32600	8.50	20000	1145	9121593	
DV49PTCD14A*	34600	15.00	12.50	32600	8.50	20000	1075	9121594	
DZ14SA 0364A*	ARUF37C14A*+TXV	34600	14.00	11.50	32800	8.20	19000	1010	9121604
	ARUF37D14A*	34400	14.00	11.50	32800	8.20	20000	1070	9121605
	ASPT37B14A*	34000	14.00	12.00	32600	8.20	20000	1120	9121649
	ASPT37C14A*	34600	14.50	12.00	32600	8.50	20000	1120	9121650
	ASPT47C14B*	34400	14.50	12.00	32600	8.50	20000	1075	201835475
	ASPT47D14A*	34800	15.00	12.50	32600	8.50	20000	1180	9121652
	AVPTC37C14A*	34400	14.50	12.00	32600	8.50	20000	1130	10269681
	AVPTC37D14A*	34400	14.50	12.00	32600	8.50	20000	1145	10269682
	AVPTC49D14A*	34600	15.00	12.50	32600	8.50	20000	1075	10269683
	CA*F3137*6A*+MBVC1200**-1A*+TXV	34600	14.00	11.50	32000	8.20	19000	1050	9121657
	CA*F4860*6D*+MBVC2000**-1A*	35600	14.50	12.00	32800	9.00	20000	1160	9121607
	CA*F4860*6D*+MBVC2000**-1A*+TXV	35600	15.00	12.50	32800	9.00	20000	1160	9121608
	CA*F4961*6D*+EEP+TXV	35400	14.00	11.50	33200	8.20	20600	1070	9121609
	CA*F4961*6D*+MBVC1200**-1A*	35600	14.50	12.00	32400	8.50	20000	1050	9121610
	CA*F4961*6D*+MBVC1200**-1A*+TXV	35600	15.00	12.50	32400	8.50	20000	1050	9121611
	CA*F4961*6D*+MBVC1600**-1A*	35600	14.50	12.00	32400	8.50	20000	1075	9121612
	CA*F4961*6D*+MBVC1600**-1A*+TXV	35600	15.00	12.50	32400	8.50	20000	1075	9121613
	CAPT4961*4A*+EEP	34600	14.00	11.50	33200	8.20	20600	1070	9121656
	CHPF4860D6D*+MBVC1600**-1A*	35400	14.50	12.00	32400	8.50	20000	1075	9121614

OUTDOOR UNIT	INDOOR UNITS COILS/AIR HANDLERS	COOLING RATINGS ^			HEATING RATINGS ^			SCFM	AHRI #
		TOTAL <sup>1</sup>	SEER <sup>2</sup>	EER <sup>3</sup>	47F	HSPF	17F		
DZ14SA 0364A* (cont.)	CHPF4860D6D*+MBVC1600**-1A*+TXV	35400	15.00	12.50	32400	8.50	20000	1075	9121615
	CHPF4860D6D*+MBVC2000**-1A*	36000	14.50	12.00	32600	8.50	20000	1275	9121616
	CHPF4860D6D*+MBVC2000**-1A*+TXV	36000	15.00	12.50	32600	8.50	20000	1275	9121617
	CSCF4860N6D*+EEP+TXV	34600	14.00	11.50	33000	8.20	20000	1080	9121601
	CSCF4860N6D*+MBVC1200**-1A*	35000	14.00	11.50	32000	8.50	20000	1050	9121618
	CSCF4860N6D*+MBVC1200**-1A*+TXV	35000	14.50	12.00	32000	8.50	20000	1050	9121619
	CSCF4860N6D*+MBVC1600**-1A*	35400	14.50	12.00	32400	8.50	20000	1075	9121620
	CSCF4860N6D*+MBVC1600**-1A*+TXV	35400	15.00	12.50	32400	8.50	20000	1075	9121621
	CSCF4860N6D*+MBVC2000**-1A*	36000	14.50	12.00	32600	8.50	20000	1275	9121622
	CSCF4860N6D*+MBVC2000**-1A*+TXV	36000	15.00	12.50	32600	8.50	20000	1275	9121623
	DV37PTCC14A*	34400	14.50	12.00	32600	8.50	20000	1130	9121658
	DV37PTCD14A*	34400	14.50	12.00	32600	8.50	20000	1145	9121659
DV49PTCD14A*	34600	15.00	12.50	32600	8.50	20000	1075	9121660	
DZ14SA 0483A*	ARUF49D14A*+TXV	44000	14.00	11.50	44000	8.50	27600	1450	9121599
	ARUF61D14A*+TXV	45000	14.00	11.50	44500	8.50	28000	1555	9121558
	ASPT49D14A*	44500	14.50	12.00	44000	8.50	27600	1430	9121587
	ASPT59C14A*	45000	14.00	12.00	44500	8.20	27600	1430	9121588
	ASPT61D14A*	45000	14.50	12.00	44500	8.50	27600	1555	9121589
	AVPTC59C14A*	45000	14.00	12.00	44500	8.50	27600	1485	10269694
	AVPTC59D14A*	45000	14.50	12.20	44500	8.20	27400	1580	10269695
	AVPTC61D14A*	45500	15.00	12.50	44500	9.00	27200	1455	10269696
	CA*F4961*6D*+EEP+TXV	45000	14.00	11.50	45000	9.00	27600	1555	9121559
	CA*F4961*6D*+MBVC1600**-1A*	45500	14.50	12.00	44500	9.00	27600	1500	9121560
	CA*F4961*6D*+MBVC1600**-1A*+TXV	45500	15.00	12.50	44500	9.00	27600	1500	9121561
	CA*F4961*6D*+MBVC2000**-1A*	46000	14.50	12.00	44500	9.00	27600	1570	9121562
	CA*F4961*6D*+MBVC2000**-1A*+TXV	46000	15.00	12.50	44500	9.00	27600	1570	9121563
	CHPF4860D6D*+EEP+TXV	45000	14.00	11.50	44500	9.00	27600	1555	9121564
	CHPF4860D6D*+MBVC1600**-1A*	45000	14.50	12.00	44000	9.00	27600	1500	9121565
	CHPF4860D6D*+MBVC1600**-1A*+TXV	45000	15.00	12.50	44000	9.00	27600	1500	9121566
	CHPF4860D6D*+MBVC2000**-1A*	45500	14.50	12.00	44000	9.00	27600	1570	9121567
	CHPF4860D6D*+MBVC2000**-1A*+TXV	45500	15.00	12.50	44000	9.00	27600	1570	9121568
	CSCF4860N6D*+EEP+TXV	45000	14.00	11.50	45000	9.00	27600	1555	9121569
	CSCF4860N6D*+MBVC1600**-1A*	45000	14.00	11.50	44000	9.00	27600	1500	9121570
CSCF4860N6D*+MBVC1600**-1A*+TXV	45000	15.00	12.00	44000	9.00	27600	1500	9121571	
CSCF4860N6D*+MBVC2000**-1A*	45500	14.00	12.00	44000	9.00	27600	1570	9121572	
CSCF4860N6D*+MBVC2000**-1A*+TXV	45500	15.00	12.50	44000	9.00	27600	1570	9121573	
DV59PTCC14A*	45000	14.00	12.00	44500	8.50	27600	1485	9121595	
DV59PTCD14A*	45000	14.50	12.20	44500	8.20	27400	1580	9121596	
DV61PTCD14A*	45500	15.00	12.50	44500	9.00	27200	1455	9121597	
DZ14SA 0484A*	ARUF49D14A*+TXV	44000	14.00	11.50	44000	8.50	27600	1450	9121665
	ARUF61D14A*+TXV	45000	14.00	11.50	44500	8.50	28000	1555	9121624
	ASPT49D14A*	44500	14.50	12.00	44000	8.50	27600	1430	9121653
	ASPT59C14A*	45000	14.00	12.00	44500	8.20	27600	1430	9121654
	ASPT61D14A*	45000	14.50	12.00	44500	8.50	27600	1555	9121655
	AVPTC59C14A*	45000	14.00	12.00	44500	8.50	27600	1485	10269698
	AVPTC59D14A*	45000	14.50	12.20	44500	8.20	27400	1580	10269699
	AVPTC61D14A*	45500	15.00	12.50	44500	9.00	27200	1455	10269700
	CA*F4961*6D*+EEP+TXV	45000	14.00	11.50	45000	9.00	27600	1555	9121625
	CA*F4961*6D*+MBVC1600**-1A*	45500	14.50	12.00	44500	9.00	27600	1500	9121626
	CA*F4961*6D*+MBVC1600**-1A*+TXV	45500	15.00	12.50	44500	9.00	27600	1500	9121627
	CA*F4961*6D*+MBVC2000**-1A*	46000	14.50	12.00	44500	9.00	27600	1570	9121628

OUTDOOR UNIT	INDOOR UNITS	COOLING RATINGS ^			HEATING RATINGS ^			SCFM	AHRI #
		COILS/AIR HANDLERS	TOTAL <sup>1</sup>	SEER <sup>2</sup>	EER <sup>3</sup>	47F	HSPF		
DZ14SA 0484A* (cont.)	CA*F4961*6D*+MBVC2000**-1A*+TXV	46000	15.00	12.50	44500	9.00	27600	1570	9121629
	CHPF4860D6D*+EEP+TXV	45000	14.00	11.50	44500	9.00	27600	1555	9121630
	CHPF4860D6D*+MBVC1600**-1A*	45000	14.50	12.00	44000	9.00	27600	1500	9121631
	CHPF4860D6D*+MBVC1600**-1A*+TXV	45000	15.00	12.50	44000	9.00	27600	1500	9121632
	CHPF4860D6D*+MBVC2000**-1A*	45500	14.50	12.00	44000	9.00	27600	1570	9121633
	CHPF4860D6D*+MBVC2000**-1A*+TXV	45500	15.00	12.50	44000	9.00	27600	1570	9121634
	CSCF4860N6D*+EEP+TXV	45000	14.00	11.50	45000	9.00	27600	1555	9121635
	CSCF4860N6D*+MBVC1600**-1A*	45000	14.00	11.50	44000	9.00	27600	1500	9121636
	CSCF4860N6D*+MBVC1600**-1A*+TXV	45000	15.00	12.00	44000	9.00	27600	1500	9121637
	CSCF4860N6D*+MBVC2000**-1A*	45500	14.00	12.00	44000	9.00	27600	1570	9121638
	CSCF4860N6D*+MBVC2000**-1A*+TXV	45500	15.00	12.50	44000	9.00	27600	1570	9121639
	DV59PTCC14A*	45000	14.00	12.00	44500	8.50	27600	1485	9121661
DV59PTCD14A*	45000	14.50	12.20	44500	8.20	27400	1580	9121662	
DV61PTCD14A*	45500	15.00	12.50	44500	9.00	27200	1455	9121663	
DZ14SA 0603A*	ASPT61D14A*	56500	14.00	11.50	59000	8.50	36000	1800	9121574
	AVPTC61D14A*	56000	14.00	11.50	59000	8.50	36000	1775	10269709
	CA*F4961*6D*+EEP+TXV	55500	14.00	11.50	59000	8.50	36600	1600	9121575
	CA*F4961*6D*+MBVC2000**-1A*	57000	14.00	11.50	59000	9.00	36600	1770	9121576
	CA*F4961*6D*+MBVC2000**-1A*+TXV	57000	14.50	12.00	59000	9.00	36600	1770	9121577
	CHPF4860D6D*+EEP+TXV	55000	14.00	11.50	57000	8.50	36600	1600	9121578
	CHPF4860D6D*+MBVC2000**-1A*	57000	14.00	11.50	59000	9.00	36000	1770	9121579
	CHPF4860D6D*+MBVC2000**-1A*+TXV	57000	14.50	12.00	59000	9.00	36000	1770	9121580
	CSCF4860N6D*+MBVC2000**-1A*	57000	14.00	11.50	59000	9.00	36000	1770	9121581
	CSCF4860N6D*+MBVC2000**-1A*+TXV	57000	14.00	12.00	59000	9.00	36000	1770	9121582
DV61PTCD14A*	56000	14.00	11.50	59000	8.50	36000	1775	9121598	
DZ14SA 0604A*	ASPT61D14A*	56500	14.00	11.50	59000	8.50	36000	1800	9121640
	AVPTC61D14A*	56000	14.00	11.50	59000	8.50	36000	1775	10269711
	CA*F4961*6D*+EEP+TXV	55500	14.00	11.50	59000	8.50	36600	1600	9121641
	CA*F4961*6D*+MBVC2000**-1A*	57000	14.00	11.50	59000	9.00	36600	1770	9121642
	CA*F4961*6D*+MBVC2000**-1A*+TXV	57000	14.50	12.00	59000	9.00	36600	1770	9121643
	CHPF4860D6D*+EEP+TXV	55000	14.00	11.50	57000	8.50	36600	1600	9121644
	CHPF4860D6D*+MBVC2000**-1A*	57000	14.00	11.50	59000	9.00	36000	1770	9121645
	CHPF4860D6D*+MBVC2000**-1A*+TXV	57000	14.50	12.00	59000	9.00	36000	1770	9121646
	CSCF4860N6D*+MBVC2000**-1A*	57000	14.00	11.50	59000	9.00	36000	1770	9121647
	CSCF4860N6D*+MBVC2000**-1A*+TXV	57000	14.00	12.00	59000	9.00	36000	1770	9121648
DV61PTCD14A*	56000	14.00	11.50	59000	8.50	36000	1775	9121664	

^ Rated in accordance with ANSI/AHRI Standard 210/240

<sup>1</sup> Seasonal Energy Efficiency Ratio

<sup>2</sup> Energy Efficiency Ratio @ 80°F/ 67°F/ 95°F

<sup>3</sup> TVA Rating: BTU/h @ 75°F/ 63°F - 95°F

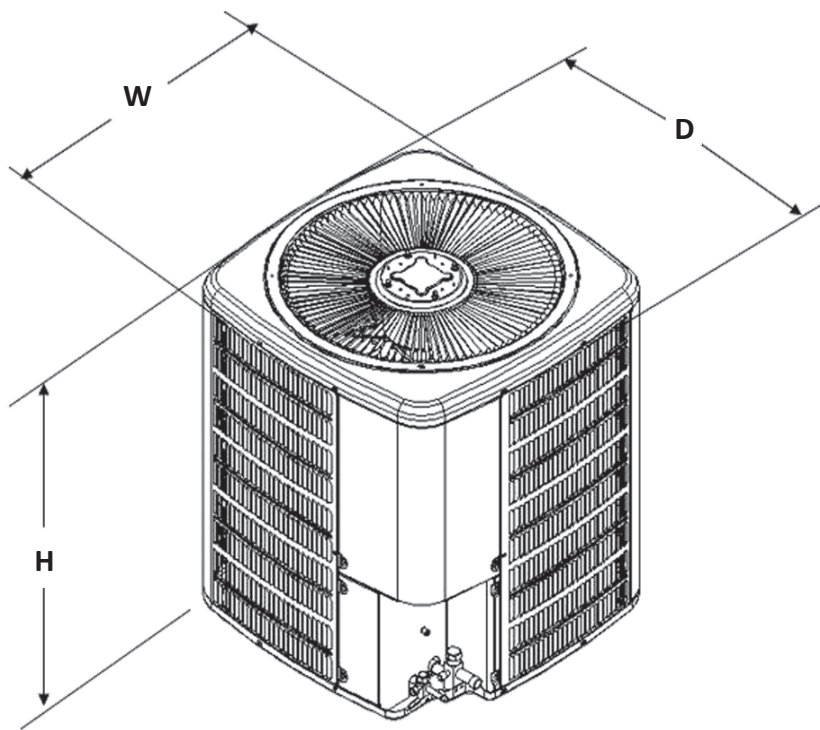
<sup>4</sup> Rated heating capacity at 47°F outdoor per AHRI 210/240

<sup>5</sup> HSPF = Heating Seasonal Performance Factor

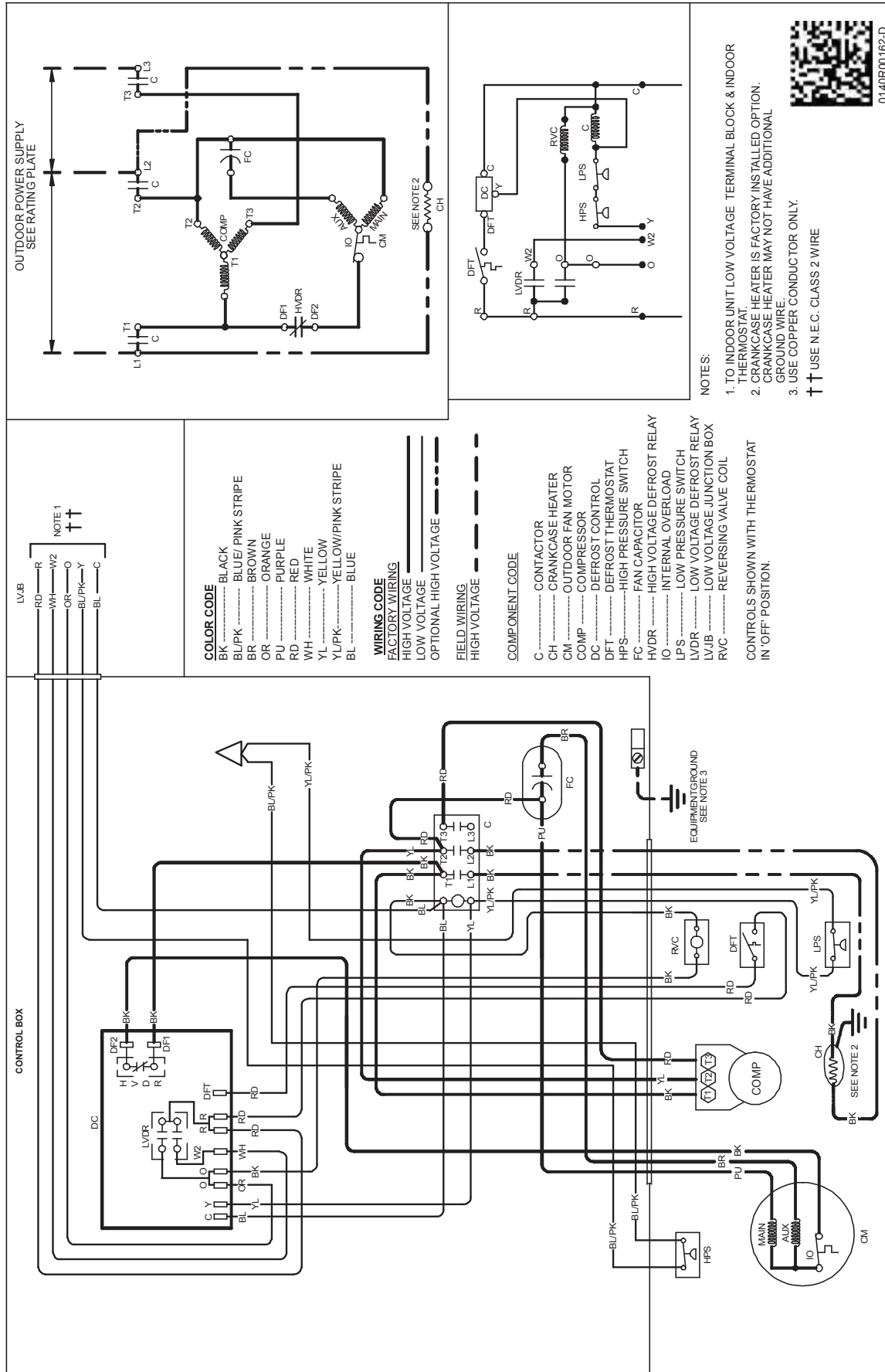
<sup>6</sup> Heating capacity at 17°F outdoor

**NOTES**

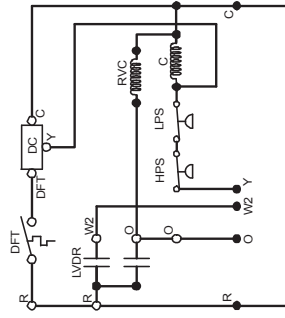
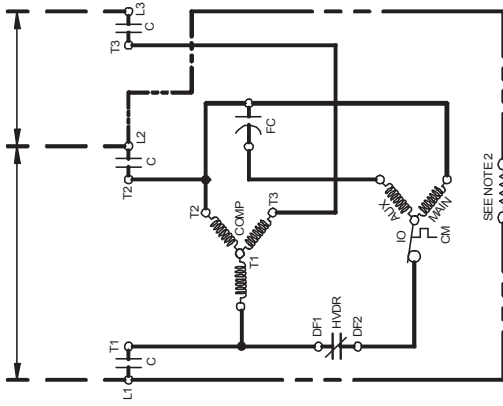
- Always check the S&R plate for electrical data on the unit being installed.
- When matching outdoor unit to indoor unit, use the piston supplied with the outdoor unit or that specified on the piston kit chart supplied with the indoor unit.
- EEP - Order from Service Dept. Part No. B13707-38 or new Solid State Board B13707-35S. Part No. B13707-38 is not interchangeable with B13707-35S. The Daikin Gas Furnace contains the EEP cooling time delay



MODEL	DIMENSIONS		
	W"	D"	H"
DZ14SA0363A*	29	29	32¼
DZ14SA0364A*	29	29	32¼
DZ14SA0483A*	29	29	34¼
DZ14SA0484A*	29	29	34¼
DZ14SA0603A*	35½	35½	34¼
DZ14SA0604A*	35½	35½	34¼



OUTDOOR POWER SUPPLY SEE RATING PLATE

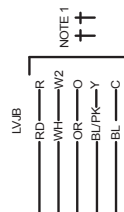


NOTES:

1. TO INDOOR UNIT LOW VOLTAGE TERMINAL BLOCK & INDOOR THERMOSTAT.
  2. CRANKCASE HEATER IS FACTORY INSTALLED OPTION. CRANKCASE HEATER MAY NOT HAVE ADDITIONAL GROUND WIRE.
  3. USE COPPER CONDUCTOR ONLY.
- †† USE N.E.C. CLASS 2 WIRE



0140R00162-D



NOTE 1

- COLOR CODE**
- BK ..... BLACK
  - BL/PK ..... BLUE/PINK STRIPE
  - BR ..... BROWN
  - OR ..... ORANGE
  - PU ..... PURPLE
  - RD ..... RED
  - WH ..... WHITE
  - YL ..... YELLOW
  - YL/PK ..... YELLOW/PINK STRIPE
  - BL ..... BLUE
- WIRING CODE**
- FACTORY WIRING
  - HIGH VOLTAGE
  - LOW VOLTAGE
  - OPTIONAL HIGH VOLTAGE
- FIELD WIRING**
- HIGH VOLTAGE

**COMPONENT CODE**

- C ..... CONTACTOR
- CH ..... CRANKCASE HEATER
- CM ..... OUTDOOR FAN MOTOR
- COMP ..... COMPRESSOR
- DC ..... DEFROST CONTROL
- DFT ..... DEFROST THERMOSTAT
- HPS ..... HIGH PRESSURE SWITCH
- FC ..... FAN CAPACITOR
- HVDR ..... HIGH VOLTAGE DEFROST RELAY
- IO ..... INTERNAL OVERLOAD
- LPS ..... LOW PRESSURE SWITCH
- LVDR ..... LOW VOLTAGE DEFROST RELAY
- LVJB ..... LOW VOLTAGE JUNCTION BOX
- RVC ..... REVERSING VALVE COIL

CONTROLS SHOWN WITH THERMOSTAT IN 'OFF' POSITION.

Wiring is subject to change. Always refer to the wiring diagram on the unit for the most up-to-date wiring.



**WARNING**

**High Voltage:** Disconnect all power before servicing or installing this unit. Multiple power sources may be present. Failure to do so may cause property damage, personal injury, or death.

MODEL #	DESCRIPTION	DZ14SA 0363A*	DZ14SA 0364A*	DZ14SA 0483A*	DZ14SA 0484A*	DZ14SA 0603A*	DZ14SA 0604A*
0130R00000S	Low-pressure Switch Kit	X	X	X	X	X	X
ABK-20	Anchor Bracket Kit ^	X	X	X	X	X	X
ASC-01	Anti-Short Cycle Kit	X	X	X	X	X	X
AFE18-60A	All-fuel Kit	X	X	X	X	X	X
LAKT-01	Low-ambient Kit	X	X	X	X	X	X
FSK01A <sup>1</sup>	Freeze Protection Kit	X	X	X	X	X	X
OT18-60A <sup>2</sup>	Outdoor Thermostat	X	X	X	X	X	X
OT/EHR18-60	Emergency Heat Relay kit	X	X	X	X	X	X
TX3N4 <sup>2</sup>	TXV Kit	X	X				
TX5N4 <sup>2</sup>	TXV Kit			X	X	X	X

<sup>^</sup> Contains 20 brackets; four brackets needed to anchor unit to pad

<sup>1</sup> Installed on indoor coil

<sup>2</sup> Required for heat pump applications where ambient temperatures fall below 0°F with 50% or higher relative humidity.

<sup>3</sup> Field-installed, non-bleed, expansion valve kit — Condensing units and heat pumps with reciprocating compressors require the use of start-assist components when used in conjunction with an indoor coil using a non-bleed thermal expansion valve refrigerant metering device or liquid line solenoid kit.