

7½ & 10-Ton, Three-Phase
Split System Heat Pump
11 EER/13 - 13.5 IEER /3.3 COP/R-410A



■ Contents

Nomenclature	2
Product Specifications	3
Expanded Cooling Data	4
Expanded Heating Data	12
AHRI Ratings	13
Dimensions	14
Wiring Diagram	15
Accessories	16

■ Standard Features

- Two-stage energy efficient compressor with internal pressure relief valve
- High-capacity, steel-cased, bi-flow heat pump filter drier
- Liquid refrigerant return protection
- Check flowrate heating mode expansion device
- Reliable, time-initiated, temperature-terminated defrost control
- High and low pressure switches
- Discharge line muffler
- Brass liquid and suction line service valves mounted at a 90° angle with sweat connections and service ports
- High-efficiency copper tube / aluminum fin coil
- Complies with ASHRAE 90.1-2016
- AHRI Certified; ETL Listed

■ Cabinet Features

- Innovative sound control top design
- Steel louver coil guard protects coil from damage and adds strength to the unit
- 500-hour salt-spray test
- Heavy-gauge, galvanized-steel cabinet
- Attractive Nickel Gray powder-paint finish
- When properly anchored, meets the 2010 Florida Building Code unit integrity requirements for hurricane-type winds (Anchor bracket kits available.)



* Complete warranty details available from your local dealer or at www.daikincomfort.com or www.daikinac.com

	D	Z	11	T	A	090	3	A	A	
	1	2	3,4	5	6	7,8,9	10	11	12	
Brand D - Daikin										Engineering Minor revision
Type X - AC R-410A Z - HP R-410A										Engineering Major revision
EER 11 - 11.2 EER										Voltage 3 - 208/230 V Three-Phase 60 Hz 4 - 460 V Three-Phase 60 Hz
Compressor T - Two Stage										Tonnage Nominal 090 - 7½ tons 120 - 10 tons
Feature Set A - Base										

	DZ11TA 0903AA	DZ11TA 0904AA	DZ11TA 1203AA	DZ11TA 1204AA
COOLING CAPACITIES				
Nominal Cooling (BTU/h) ¹	93,000	93,000	115,000	115,000
Nominal Heating (BTU/h) ¹	82,000	82,000	100,000	100,000
IEER	11 / 13	11 / 13	11 / 13.5	11 / 13.5
Decibels	84	84	84	84
COMPRESSOR				
RLA	26.9	12.0	32.6	14.8
LRA	164	94	240	130
CONDENSER FAN MOTOR				
Horsepower	1	1	1	1
FLA	5.6	3.5	5.6	3.5
REFRIGERATION SYSTEM				
Liquid Connection Valve Size ("O.D.)	¾"	¾"	¾"	¾"
Suction Connection Valve Size ("O.D.)	1⅜"	1⅜"	1⅜"	1⅜"
Valve Type	Sweat	Sweat	Sweat	Sweat
Refrigerant Charge (oz.) ²	55	55	55	55
ELECTRICAL DATA				
AC Volts	208/230	460	208/230	460
Hz / Phase	60 Hz/3	60 Hz/3	60 Hz/3	60 Hz/3
Minimum Circuit Ampacity ³	39.2	18.5	46.4	22.0
Max. Overcurrent Protection ⁴	60	30	70	35
Min / Max Volts	197/253	414/506	197/253	414/506
Electrical Conduit Size	½" or ¾"	½" or ¾"	½" or ¾"	½" or ¾"
SHIP WEIGHT (LBS)	355	355	375	370

¹ Tested and rated in accordance with ARI Standard 208/230

² Factory Holding Charge. Follow Installation Instructions for system charge

³ Wire size should be determined in accordance with National Electrical Codes; extensive wire runs will require larger wire sizes

⁴ Must use time-delay fuses or HACR-type circuit breakers of the same size as noted.

NOTES

- Always check the rating plate for electrical data on the unit being installed.
- Installer will need to supply ¾" to 1⅜" adapters for suction line connections.

IDB	AIRFLOW	OUTDOOR AMBIENT TEMPERATURE																							
		65°F				75°F				85°F				95°F				105°F				115°F			
		59	63	67	71	59	63	67	71	59	63	67	71	59	63	67	71	59	63	67	71	59	63	67	71
70	MBh	81.7	84.6	92.7	-	79.8	82.7	90.6	-	77.9	80.7	88.4	-	76.0	78.7	86.3	-	72.2	74.8	82.0	-	66.9	69.3	75.9	-
	S/T	0.68	0.57	0.39	-	0.70	0.59	0.41	-	0.72	0.60	0.42	-	0.74	0.62	0.43	-	0.77	0.65	0.45	-	0.78	0.65	0.45	-
	Delta T	19	17	13	-	20	17	13	-	20	17	13	-	20	17	13	-	19	17	13	-	18	16	12	-
	kW	6.48	6.61	6.80	-	6.94	7.08	7.29	-	7.35	7.50	7.72	-	7.70	7.86	8.11	-	8.01	8.18	8.43	-	8.27	8.45	8.71	-
	Amps	17.9	18.3	18.8	-	19.2	19.6	20.1	-	20.6	21.1	21.7	-	21.9	22.4	23.0	-	23.2	23.7	24.4	-	24.4	24.9	25.7	-
	HI PR	216	233	246	-	243	261	276	-	276	297	314	-	315	339	358	-	354	381	402	-	391	421	444	-
LO PR	102	109	119	-	108	115	125	-	112	119	130	-	118	125	137	-	123	131	143	-	128	136	148	-	
70	MBh	88.5	91.7	100.5	-	86.4	89.6	98.1	-	84.4	87.4	95.8	-	82.3	85.3	93.5	-	78.2	81.0	88.8	-	72.4	75.1	82.2	-
	S/T	0.70	0.59	0.41	-	0.73	0.61	0.42	-	0.75	0.62	0.43	-	0.77	0.65	0.45	-	0.80	0.67	0.46	-	0.81	0.68	0.47	-
	Delta T	19	17	13	-	19	17	13	-	19	17	13	-	19	17	13	-	19	17	13	-	18	16	12	-
	kW	6.63	6.76	6.96	-	7.10	7.24	7.46	-	7.52	7.67	7.91	-	7.89	8.05	8.30	-	8.20	8.38	8.64	-	8.47	8.65	8.93	-
	Amps	18.3	18.7	19.3	-	19.6	20.1	20.7	-	21.1	21.6	22.3	-	22.4	22.9	23.6	-	23.8	24.3	25.0	-	25.0	25.6	26.4	-
	HI PR	223	240	254	-	250	269	285	-	285	307	324	-	324	349	369	-	365	393	415	-	403	434	458	-
LO PR	105	112	122	-	111	118	129	-	116	123	134	-	121	129	141	-	127	135	148	-	132	140	153	-	
70	MBh	91.1	94.5	103.5	-	89.0	92.3	101.1	-	86.9	90.1	98.7	-	84.8	87.9	96.3	-	80.5	83.5	91.5	-	74.6	77.3	84.7	-
	S/T	0.74	0.62	0.43	-	0.77	0.64	0.44	-	0.78	0.66	0.45	-	0.81	0.68	0.47	-	0.84	0.70	0.49	-	0.85	0.71	0.49	-
	Delta T	18	16	12	-	19	16	12	-	19	16	12	-	19	16	12	-	18	16	12	-	17	15	11	-
	kW	6.67	6.81	7.01	-	7.15	7.30	7.52	-	7.58	7.73	7.97	-	7.95	8.12	8.37	-	8.27	8.44	8.71	-	8.54	8.72	9.00	-
	Amps	18.5	18.9	19.4	-	19.8	20.2	20.8	-	21.3	21.8	22.4	-	22.6	23.1	23.8	-	24.0	24.5	25.2	-	25.2	25.8	26.6	-
	HI PR	225	243	256	-	253	272	287	-	288	310	327	-	328	353	372	-	369	397	419	-	407	438	463	-
LO PR	106	113	123	-	112	119	130	-	117	124	136	-	123	130	142	-	128	137	149	-	133	141	154	-	

75	MBh	83.0	85.5	92.6	99.3	81.1	83.5	90.4	97.0	79.2	81.5	88.2	94.7	77.3	79.5	86.1	92.4	73.4	75.6	81.8	87.8	68.0	70.0	75.8	81.3
	S/T	0.77	0.69	0.52	0.34	0.80	0.72	0.54	0.35	0.82	0.73	0.56	0.36	0.85	0.76	0.57	0.37	0.88	0.79	0.59	0.38	0.89	0.79	0.60	0.39
	Delta T	22	21	17	12	23	21	17	12	23	21	17	12	23	21	17	12	23	21	17	12	21	19	16	11
	kW	6.53	6.66	6.85	7.05	6.99	7.13	7.35	7.57	7.40	7.55	7.78	8.03	7.77	7.93	8.17	8.43	8.07	8.24	8.50	8.77	8.34	8.52	8.78	9.07
	Amps	18.1	18.4	19.0	19.6	19.3	19.7	20.3	21.0	20.8	21.3	21.9	22.6	22.1	22.6	23.2	24.0	23.4	23.9	24.6	25.4	24.6	25.2	25.9	26.8
	HI PR	219	235	249	259	245	264	279	291	279	300	317	331	318	342	361	377	358	385	406	424	395	425	449	468
LO PR	103	110	120	128	109	116	127	135	113	120	132	140	119	127	138	147	125	133	145	154	129	137	150	159	
75	MBh	90.0	92.6	100.3	107.6	87.9	90.5	97.9	105.1	85.8	88.3	95.6	102.6	83.7	86.2	93.3	100.1	79.5	81.9	88.6	95.1	73.7	75.8	82.1	88.1
	S/T	0.80	0.72	0.54	0.35	0.83	0.74	0.56	0.36	0.85	0.76	0.58	0.37	0.88	0.79	0.59	0.38	0.91	0.82	0.62	0.40	0.92	0.82	0.62	0.40
	Delta T	22	20	17	11	22	21	17	12	22	21	17	12	23	21	17	12	22	20	17	12	21	19	16	11
	kW	6.68	6.81	7.01	7.22	7.16	7.30	7.52	7.75	7.58	7.73	7.97	8.22	7.95	8.12	8.37	8.64	8.27	8.44	8.71	8.99	8.54	8.73	9.00	9.29
	Amps	18.5	18.9	19.4	20.1	19.8	20.2	20.8	21.5	21.3	21.8	22.4	23.2	22.6	23.1	23.8	24.7	24.0	24.5	25.2	26.1	25.2	25.8	26.6	27.5
	HI PR	225	243	256	267	253	272	287	300	288	310	327	341	328	353	372	388	369	397	419	437	407	438	463	483
LO PR	106	113	123	131	112	119	130	139	117	124	136	144	123	130	142	152	129	137	149	159	133	141	154	164	
75	MBh	92.7	95.4	103.3	110.9	90.5	93.2	100.9	108.3	88.4	91.0	98.5	105.7	86.2	88.8	96.1	103.1	81.9	84.3	91.3	98.0	75.9	78.1	84.5	90.7
	S/T	0.84	0.75	0.57	0.37	0.87	0.78	0.59	0.38	0.89	0.80	0.60	0.39	0.92	0.82	0.62	0.40	0.96	0.85	0.65	0.42	0.96	0.86	0.65	0.42
	Delta T	21	20	16	11	21	20	16	11	22	20	16	11	22	20	16	11	21	20	16	11	20	18	15	10
	kW	6.73	6.86	7.06	7.27	7.21	7.36	7.58	7.81	7.64	7.79	8.03	8.29	8.01	8.18	8.44	8.71	8.34	8.51	8.78	9.06	8.61	8.80	9.07	9.37
	Amps	18.6	19.0	19.6	20.2	20.0	20.4	21.0	21.7	21.5	22.0	22.6	23.4	22.8	23.3	24.0	24.9	24.2	24.7	25.5	26.3	25.5	26.0	26.8	27.8
	HI PR	228	245	259	270	256	275	290	303	291	313	330	344	331	356	376	392	372	401	423	441	411	443	468	488
LO PR	107	114	125	133	113	121	132	140	118	125	137	146	124	132	144	153	130	138	151	161	134	143	156	166	

IDB: Entering Indoor Dry Bulb Temperature
 High and low pressures are measured at the liquid and suction service valves.
 Shaded area reflects ACCA (TVA) conditions
 kW= Total system power
 Amps = outdoor unit amps (comp. - fan)

EXPANDED COOLING DATA — DZ11TA0903A*/DAT0903A*(CONT.)

IDB	AIRFLOW	OUTDOOR AMBIENT TEMPERATURE												ENTERING INDOOR WET BULB TEMPERATURE											
		65°F				75°F				85°F				95°F				105°F				115°F			
		59	63	67	71	59	63	67	71	59	63	67	71	59	63	67	71	59	63	67	71	59	63	67	71
80	MBh	84.5	86.4	92.3	98.6	82.6	84.4	90.1	96.3	80.6	82.4	88.0	94.1	78.6	80.3	85.8	91.8	74.7	76.3	81.5	87.2	69.2	70.7	75.5	80.8
	S/T	0.85	0.79	0.65	0.48	0.88	0.82	0.67	0.50	0.90	0.84	0.69	0.51	0.93	0.87	0.71	0.53	0.96	0.90	0.74	0.55	0.97	0.91	0.74	0.55
	Delta T	25	24	21	17	25	24	21	17	25	24	21	17	26	24	21	17	25	24	21	17	23	23	20	16
	kW	6.58	6.71	6.90	7.11	7.05	7.19	7.40	7.63	7.46	7.61	7.85	8.09	7.83	7.99	8.24	8.50	8.14	8.31	8.57	8.84	8.41	8.58	8.86	9.14
	Amps	18.2	18.6	19.1	19.7	19.5	19.9	20.5	21.2	21.0	21.4	22.1	22.8	22.3	22.7	23.4	24.2	23.5	24.1	24.8	25.7	24.8	25.4	26.2	27.1
80	HI PR	221	238	251	262	248	267	282	294	282	303	320	334	321	346	365	381	361	389	410	428	399	429	454	473
	LO PR	104	111	121	129	110	117	128	136	114	122	133	141	120	128	140	149	126	134	146	156	130	139	151	161
	MBh	91.6	93.6	100.0	106.9	89.4	91.4	97.7	104.4	87.3	89.2	95.3	101.9	85.2	87.0	93.0	99.4	80.9	82.7	88.4	94.4	75.0	76.6	81.8	87.5
	S/T	0.88	0.82	0.67	0.50	0.91	0.85	0.69	0.52	0.93	0.87	0.71	0.53	0.96	0.90	0.74	0.55	1.00	0.94	0.76	0.57	1.00	0.95	0.77	0.57
	Delta T	25	24	21	16	25	24	21	17	25	24	21	17	25	24	21	17	25	24	21	17	23	22	19	15
80	kW	6.73	6.86	7.06	7.28	7.21	7.36	7.58	7.81	7.64	7.80	8.04	8.29	8.02	8.18	8.44	8.71	8.34	8.51	8.78	9.06	8.61	8.80	9.08	9.37
	Amps	18.6	19.0	19.6	20.2	20.0	20.4	21.0	21.7	21.5	22.0	22.6	23.4	22.8	23.3	24.0	24.9	24.2	24.7	25.5	26.3	25.5	26.0	26.8	27.8
	HI PR	228	245	259	270	256	275	290	303	291	313	330	344	331	356	376	392	372	401	423	441	411	443	468	488
	LO PR	107	114	125	133	113	121	132	140	118	125	137	146	124	132	144	153	130	138	151	161	134	143	156	166
	MBh	94.3	96.4	103.0	110.1	92.1	94.1	100.6	107.5	89.9	91.9	98.2	105.0	87.7	89.7	95.8	102.4	83.4	85.2	91.0	97.3	77.2	78.9	84.3	90.1
80	S/T	0.92	0.86	0.70	0.53	0.95	0.89	0.73	0.54	1.00	0.92	0.75	0.56	1.00	0.95	0.77	0.58	1.00	1.00	0.80	0.60	1.00	1.00	0.81	0.60
	Delta T	24	23	20	16	24	23	20	16	25	23	20	16	24	23	20	16	23	23	20	16	21	22	19	15
	kW	6.78	6.91	7.12	7.33	7.26	7.41	7.64	7.87	7.70	7.86	8.10	8.35	8.08	8.25	8.51	8.78	8.40	8.58	8.85	9.14	8.68	8.87	9.15	9.45
	Amps	18.8	19.2	19.7	20.4	20.1	20.6	21.2	21.9	21.7	22.2	22.8	23.6	23.0	23.5	24.2	25.1	24.4	24.9	25.7	26.6	25.7	26.3	27.1	28.0
	HI PR	230	248	261	273	258	278	293	306	294	316	334	348	334	360	380	396	376	405	427	446	416	447	472	493
80	LO PR	108	115	126	134	115	122	133	142	119	127	138	147	125	133	145	155	131	139	152	162	136	144	157	168

2632	MBh	86.0	87.7	91.8	98.0	84.0	85.6	89.7	95.7	82.0	83.6	87.5	93.4	80.0	81.6	85.4	91.1	76.0	77.5	81.1	86.6	70.4	71.8	75.2	80.2
	S/T	0.89	0.86	0.77	0.63	0.92	0.89	0.80	0.65	0.94	0.91	0.82	0.67	0.97	0.94	0.85	0.69	1.00	0.97	0.88	0.71	1.00	0.98	0.89	0.72
	Delta T	27	26	25	21	27	27	25	22	27	27	25	22	27	27	25	22	27	26	25	22	25	25	23	20
	kW	6.62	6.75	6.95	7.16	7.10	7.24	7.46	7.69	7.52	7.67	7.91	8.15	7.89	8.05	8.30	8.56	8.20	8.37	8.64	8.91	8.47	8.65	8.93	9.21
	Amps	18.3	18.7	19.3	19.9	19.6	20.1	20.6	21.3	21.1	21.6	22.2	23.0	22.4	22.9	23.6	24.4	23.7	24.3	25.0	25.9	25.0	25.6	26.4	27.3
2632	HI PR	223	240	254	264	250	269	284	297	285	306	324	337	324	349	369	384	365	393	415	432	403	434	458	478
	LO PR	105	112	122	130	111	118	129	137	116	123	134	143	121	129	141	150	127	135	148	157	132	140	153	163
	MBh	93.2	95.0	99.5	106.1	91.0	92.8	97.2	103.7	88.8	90.6	94.8	101.2	86.7	88.4	92.5	98.7	82.3	83.9	87.9	93.8	76.3	77.8	81.4	86.9
	S/T	0.92	0.89	0.80	0.65	0.95	0.92	0.83	0.67	0.98	0.94	0.85	0.69	1.00	0.97	0.88	0.71	1.00	1.00	0.91	0.74	1.00	1.00	0.92	0.75
	Delta T	26	26	24	21	27	26	25	21	27	26	25	21	27	26	25	22	25	26	25	21	23	24	23	20
2632	kW	6.78	6.91	7.12	7.33	7.26	7.41	7.64	7.87	7.70	7.86	8.10	8.35	8.08	8.25	8.51	8.78	8.40	8.58	8.85	9.14	8.68	8.87	9.15	9.45
	Amps	18.8	19.2	19.7	20.4	20.1	20.6	21.2	21.9	21.7	22.2	22.8	23.6	23.0	23.5	24.2	25.1	24.4	24.9	25.7	26.6	25.7	26.3	27.1	28.0
	HI PR	230	248	261	273	258	278	293	306	294	316	334	348	334	360	380	396	376	405	427	446	416	447	472	493
	LO PR	108	115	126	134	115	122	133	142	119	127	138	147	125	133	145	155	131	139	152	162	136	144	157	168
	MBh	96.0	97.8	102.5	109.3	93.7	95.6	100.1	106.8	91.5	93.3	97.7	104.2	89.3	91.0	95.3	101.7	84.8	86.5	90.5	96.6	78.6	80.1	83.9	89.5
3367	S/T	0.96	0.93	0.84	0.68	1.00	0.96	0.87	0.71	1.00	0.99	0.89	0.72	1.00	1.00	0.92	0.75	1.00	1.00	0.96	0.78	1.00	1.00	0.96	0.78
	Delta T	25	25	24	20	26	25	24	21	25	25	24	21	24	25	24	21	23	24	24	20	21	22	22	19
	kW	6.83	6.96	7.17	7.39	7.32	7.47	7.70	7.94	7.76	7.92	8.16	8.42	8.14	8.31	8.57	8.85	8.47	8.65	8.92	9.21	8.75	8.94	9.22	9.52
	Amps	18.9	19.3	19.9	20.6	20.3	20.7	21.3	22.1	21.9	22.3	23.0	23.8	23.2	23.7	24.4	25.3	24.6	25.1	25.9	26.8	25.9	26.5	27.3	28.3
	HI PR	232	250	264	275	261	281	296	309	296	319	337	351	338	363	384	400	380	409	432	450	420	452	477	497
3367	LO PR	110	117	127	135	116	123	134	143	120	128	140	149	126	134	147	156	132	141	154	164	137	146	159	169

IDB: Entering Indoor Dry Bulb Temperature
 High and low pressures are measured at the liquid and suction service valves.
 Shaded area reflects AHRI conditions
 kW= Total system power
 Amps = outdoor unit amps (comp. - fan)

IDB	AIRFLOW	OUTDOOR AMBIENT TEMPERATURE												ENTERING INDOOR WET BULB TEMPERATURE											
		65°F				75°F				85°F				95°F				105°F				115°F			
		59	63	67	71	59	63	67	71	59	63	67	71	59	63	67	71	59	63	67	71	59	63	67	71
70	MBh	81.7	84.6	92.7	-	79.8	82.7	90.6	-	77.9	80.7	88.4	-	76.0	78.7	86.3	-	72.2	74.8	82.0	-	66.9	69.3	75.9	-
	S/T	0.68	0.57	0.39	-	0.70	0.59	0.41	-	0.72	0.60	0.42	-	0.74	0.62	0.43	-	0.77	0.65	0.45	-	0.78	0.65	0.45	-
	Delta T	19	17	13	-	20	17	13	-	20	17	13	-	20	17	13	-	19	17	13	-	18	16	12	-
	kW	6.48	6.61	6.80	-	6.94	7.08	7.29	-	7.35	7.50	7.72	-	7.70	7.86	8.11	-	8.01	8.18	8.43	-	8.27	8.45	8.71	-
	Amps	9.0	9.1	9.4	-	9.6	9.8	10.1	-	10.3	10.5	10.9	-	10.9	11.2	11.5	-	11.6	11.8	12.2	-	12.2	12.5	12.9	-
	HI PR	216	233	246	-	243	261	276	-	276	297	314	-	315	339	358	-	354	381	402	-	391	421	444	-
	LO PR	102	109	119	-	108	115	125	-	112	119	130	-	118	125	137	-	123	131	143	-	128	136	148	-
	MBh	88.5	91.7	100.5	-	86.4	89.6	98.1	-	84.4	87.4	95.8	-	82.3	85.3	93.5	-	78.2	81.0	88.8	-	72.4	75.1	82.2	-
	S/T	0.70	0.59	0.41	-	0.73	0.61	0.42	-	0.75	0.62	0.43	-	0.77	0.65	0.45	-	0.80	0.67	0.46	-	0.81	0.68	0.47	-
	Delta T	19	17	13	-	19	17	13	-	19	17	13	-	19	17	13	-	19	17	13	-	18	16	12	-
kW	6.63	6.76	6.96	-	7.10	7.24	7.46	-	7.52	7.67	7.91	-	7.89	8.05	8.30	-	8.20	8.38	8.64	-	8.47	8.65	8.93	-	
Amps	9.2	9.4	9.6	-	9.8	10.0	10.3	-	10.6	10.8	11.1	-	11.2	11.5	11.8	-	11.9	12.1	12.5	-	12.5	12.8	13.2	-	
HI PR	223	240	254	-	250	269	285	-	285	307	324	-	324	349	369	-	365	393	415	-	403	434	458	-	
LO PR	105	112	122	-	111	118	129	-	116	123	134	-	121	129	141	-	127	135	148	-	132	140	153	-	
MBh	91.1	94.5	103.5	-	89.0	92.3	101.1	-	86.9	90.1	98.7	-	84.8	87.9	96.3	-	80.5	83.5	91.5	-	74.6	77.3	84.7	-	
S/T	0.74	0.62	0.43	-	0.77	0.64	0.44	-	0.78	0.66	0.45	-	0.81	0.68	0.47	-	0.84	0.70	0.49	-	0.85	0.71	0.49	-	
Delta T	18	16	12	-	19	16	12	-	19	16	12	-	19	16	12	-	18	16	12	-	17	15	11	-	
kW	6.67	6.81	7.01	-	7.15	7.30	7.52	-	7.58	7.73	7.97	-	7.95	8.12	8.37	-	8.27	8.44	8.71	-	8.54	8.72	9.00	-	
Amps	9.2	9.4	9.7	-	9.9	10.1	10.4	-	10.7	10.9	11.2	-	11.3	11.6	11.9	-	12.0	12.2	12.6	-	12.6	12.9	13.3	-	
HI PR	225	243	256	-	253	272	287	-	288	310	327	-	328	353	372	-	369	397	419	-	407	438	463	-	
LO PR	106	113	123	-	112	119	130	-	117	124	136	-	123	130	142	-	128	137	149	-	133	141	154	-	
75	MBh	83.0	85.5	92.6	99.3	81.1	83.5	90.4	97.0	79.2	81.5	88.2	94.7	77.3	79.5	86.1	92.4	73.4	75.6	81.8	87.8	68.0	70.0	75.8	81.3
	S/T	0.77	0.69	0.52	0.34	0.80	0.72	0.54	0.35	0.82	0.73	0.56	0.36	0.85	0.76	0.57	0.37	0.88	0.79	0.59	0.38	0.89	0.79	0.60	0.39
	Delta T	22	21	17	12	23	21	17	12	23	21	17	12	23	21	17	12	23	21	17	12	21	19	16	11
	kW	6.53	6.66	6.85	7.05	6.99	7.13	7.35	7.57	7.40	7.55	7.78	8.03	7.77	7.93	8.17	8.43	8.07	8.24	8.50	8.77	8.34	8.52	8.78	9.07
	Amps	9.0	9.2	9.5	9.8	9.7	9.9	10.2	10.5	10.4	10.6	10.9	11.3	11.0	11.3	11.6	12.0	11.7	11.9	12.3	12.7	12.3	12.6	13.0	13.4
	HI PR	219	235	249	259	245	264	279	291	279	300	317	331	318	342	361	377	358	385	406	424	395	425	449	468
	LO PR	103	110	120	128	109	116	127	135	113	120	132	140	119	127	138	147	125	133	145	154	129	137	150	159
	MBh	90.0	92.6	100.3	107.6	87.9	90.5	97.9	105.1	85.8	88.3	95.6	102.6	83.7	86.2	93.3	100.1	79.5	81.9	88.6	95.1	73.7	75.8	82.1	88.1
	S/T	0.80	0.72	0.54	0.35	0.83	0.74	0.56	0.36	0.85	0.76	0.58	0.37	0.88	0.79	0.59	0.38	0.91	0.82	0.62	0.40	0.92	0.82	0.62	0.40
	Delta T	22	20	17	11	22	21	17	12	22	21	17	12	23	21	17	12	22	20	17	12	21	19	16	11
kW	6.68	6.81	7.01	7.22	7.16	7.30	7.52	7.75	7.58	7.73	7.97	8.22	7.95	8.12	8.37	8.64	8.27	8.44	8.71	8.99	8.54	8.73	9.00	9.29	
Amps	9.2	9.4	9.7	10.0	9.9	10.1	10.4	10.8	10.7	10.9	11.2	11.6	11.3	11.6	11.9	12.3	12.0	12.2	12.6	13.1	12.6	12.9	13.3	13.8	
HI PR	225	243	256	267	253	272	287	300	288	310	327	341	328	353	372	388	369	397	419	437	407	438	463	483	
LO PR	106	113	123	131	112	119	130	139	117	124	136	144	123	130	142	152	129	137	149	159	133	141	154	164	
MBh	92.7	95.4	103.3	110.9	90.5	93.2	100.9	108.3	88.4	91.0	98.5	105.7	86.2	88.8	96.1	103.1	81.9	84.3	91.3	98.0	75.9	78.1	84.5	90.7	
S/T	0.84	0.75	0.57	0.37	0.87	0.78	0.59	0.38	0.89	0.80	0.60	0.39	0.92	0.82	0.62	0.40	0.96	0.85	0.65	0.42	0.96	0.86	0.65	0.42	
Delta T	21	20	16	11	21	20	16	11	22	20	16	11	22	20	16	11	21	20	16	11	20	18	15	10	
kW	6.73	6.86	7.06	7.27	7.21	7.36	7.58	7.81	7.64	7.79	8.03	8.29	8.01	8.18	8.44	8.71	8.34	8.51	8.78	9.06	8.61	8.80	9.07	9.37	
Amps	9.3	9.5	9.8	10.1	10.0	10.2	10.5	10.8	10.7	11.0	11.3	11.7	11.4	11.7	12.0	12.4	12.1	12.3	12.7	13.2	12.7	13.0	13.4	13.9	
HI PR	228	245	259	270	256	275	290	303	291	313	330	344	331	356	376	392	372	401	423	441	411	443	468	488	
LO PR	107	114	125	133	113	121	132	140	118	125	137	146	124	132	144	153	130	138	151	161	134	143	156	166	

IDB: Entering Indoor Dry Bulb Temperature
 High and low pressures are measured at the liquid and suction service valves.
 Shaded area reflects ACCA (TVA) conditions
 kW= Total system power
 Amps = outdoor unit amps (comp. + fan)

EXPANDED COOLING DATA — DZ11TA0904A*/DAT0904A*(CONT.)

IDB	AIRFLOW	OUTDOOR AMBIENT TEMPERATURE																								
		65°F				75°F				85°F				95°F				105°F				115°F				
		59	63	67	71	59	63	67	71	59	63	67	71	59	63	67	71	59	63	67	71	59	63	67	71	
80	2632	MBh	84.5	86.4	92.3	98.6	82.6	84.4	90.1	96.3	80.6	82.4	88.0	94.1	78.6	80.3	85.8	91.8	74.7	76.3	81.5	87.2	69.2	70.7	75.5	80.8
		S/T	0.85	0.79	0.65	0.48	0.88	0.82	0.67	0.50	0.90	0.84	0.69	0.51	0.93	0.87	0.71	0.53	0.96	0.90	0.74	0.55	0.97	0.91	0.74	0.55
		Delta T	25	24	21	17	25	24	21	17	25	24	21	17	26	24	21	17	25	24	21	17	23	23	20	16
		kW	6.58	6.71	6.90	7.11	7.05	7.19	7.40	7.63	7.46	7.61	7.85	8.09	7.83	7.99	8.24	8.50	8.14	8.31	8.57	8.84	8.41	8.58	8.86	9.14
		Amps	9.1	9.3	9.6	9.9	9.7	9.9	10.2	10.6	10.5	10.7	11.0	11.4	11.1	11.4	11.7	12.1	11.8	12.0	12.4	12.8	12.4	12.4	12.7	13.1
	3000	HI PR	221	238	251	262	248	267	282	294	282	303	320	334	321	346	365	381	361	389	410	428	399	429	454	473
		LO PR	104	111	121	129	110	117	128	136	114	122	133	141	120	128	140	149	126	134	146	156	130	139	151	161
		MBh	91.6	93.6	100.0	106.9	89.4	91.4	97.7	104.4	87.3	89.2	95.3	101.9	85.2	87.0	93.0	99.4	80.9	82.7	88.4	94.4	75.0	76.6	81.8	87.5
		S/T	0.88	0.82	0.67	0.50	0.91	0.85	0.69	0.52	0.93	0.87	0.71	0.53	0.96	0.90	0.74	0.55	1.00	0.94	0.76	0.57	1.00	0.95	0.77	0.57
		Delta T	25	24	21	16	25	24	21	17	25	24	21	17	25	24	21	17	25	24	21	17	23	22	19	15
3367	kW	6.73	6.86	7.06	7.28	7.21	7.36	7.58	7.81	7.64	7.80	8.04	8.29	8.02	8.18	8.44	8.71	8.34	8.51	8.78	9.06	8.61	8.80	9.08	9.37	
	Amps	9.3	9.5	9.8	10.1	10.0	10.2	10.5	10.8	10.8	11.0	11.3	11.7	11.4	11.7	12.0	12.4	12.1	12.3	12.7	13.2	12.7	13.0	13.4	13.9	
	HI PR	228	245	259	270	256	275	290	303	291	313	330	344	331	356	376	392	372	401	423	441	411	443	468	488	
	LO PR	107	114	125	133	113	121	132	140	118	125	137	146	124	132	144	153	130	138	151	161	134	143	156	166	
	MBh	94.3	96.4	103.0	110.1	92.1	94.1	100.6	107.5	89.9	91.9	98.2	105.0	87.7	89.7	95.8	102.4	83.4	85.2	91.0	97.3	77.2	78.9	84.3	90.1	

85	2632	MBh	86.0	87.7	91.8	98.0	84.0	85.6	89.7	95.7	82.0	83.6	87.5	93.4	80.0	81.6	85.4	91.1	76.0	77.5	81.1	86.6	70.4	71.8	75.2	80.2	
		S/T	0.89	0.86	0.77	0.63	0.92	0.89	0.80	0.65	0.94	0.91	0.82	0.67	0.97	0.94	0.85	0.69	1.00	0.97	0.88	0.71	1.00	0.98	0.89	0.72	
		Delta T	27	26	25	21	27	27	25	22	27	27	25	22	27	27	25	22	27	26	25	22	25	25	23	20	20
		kW	6.62	6.75	6.95	7.16	7.10	7.24	7.46	7.69	7.52	7.67	7.91	8.15	7.89	8.05	8.30	8.56	8.20	8.37	8.64	8.91	8.47	8.65	8.93	9.21	
		Amps	9.2	9.4	9.6	9.9	9.8	10.0	10.3	10.7	10.6	10.8	11.1	11.5	11.2	11.5	11.8	12.2	11.9	12.1	12.5	12.9	12.5	12.8	13.2	13.7	
	3000	HI PR	223	240	254	264	250	269	284	297	285	306	324	337	324	349	369	384	365	393	415	432	403	434	458	478	
		LO PR	105	112	122	130	111	118	129	137	116	123	134	143	121	129	141	150	127	135	148	157	132	140	153	163	
		MBh	93.2	95.0	99.5	106.1	91.0	92.8	97.2	103.7	88.8	90.6	94.8	101.2	86.7	88.4	92.5	98.7	82.3	83.9	87.9	93.8	76.3	77.8	81.4	86.9	
		S/T	0.92	0.89	0.80	0.65	0.95	0.92	0.83	0.67	0.98	0.94	0.85	0.69	1.00	0.97	0.88	0.71	1.00	1.00	0.91	0.74	1.00	1.00	0.92	0.75	
		Delta T	26	26	24	21	27	26	25	21	27	26	25	21	27	26	25	22	25	26	25	21	23	24	23	20	20
3367	kW	6.78	6.91	7.12	7.33	7.26	7.41	7.64	7.87	7.70	7.86	8.10	8.35	8.08	8.25	8.51	8.78	8.40	8.58	8.85	9.14	8.68	8.87	9.15	9.45		
	Amps	9.4	9.6	9.9	10.2	10.1	10.3	10.6	10.9	10.8	11.1	11.4	11.8	11.5	11.8	12.1	12.5	12.2	12.5	12.8	13.3	12.8	13.1	13.5	14.0		
	HI PR	230	248	261	273	258	278	293	306	294	316	334	348	334	360	380	396	376	405	427	446	416	447	472	493		
	LO PR	108	115	126	134	115	122	133	142	119	127	138	147	125	133	145	155	131	139	152	162	136	144	157	168		
	MBh	96.0	97.8	102.5	109.3	93.7	95.6	100.1	106.8	91.5	93.3	97.7	104.2	89.3	91.0	95.3	101.7	84.8	86.5	90.5	96.6	78.6	80.1	83.9	89.5		

IDB: Entering Indoor Dry Bulb Temperature
 High and low pressures are measured at the liquid and suction service valves.
 Shaded area reflects AHRI conditions
 kW= Total system power
 Amps = outdoor unit amps (comp. - fan)

EXPANDED COOLING DATA — DZ11TA1203A*/DAT01203A*

IDB	AIRFLOW	OUTDOOR AMBIENT TEMPERATURE																													
		65°F					75°F					85°F					95°F					105°F					115°F				
		59	63	67	71	75	59	63	67	71	75	59	63	67	71	75	59	63	67	71	75	59	63	67	71	75	59	63	67	71	75
70	MBh	101.0	104.7	114.7	-	-	98.6	102.2	112.0	-	-	96.3	99.8	109.3	-	-	93.9	97.4	106.7	-	-	89.2	92.5	101.3	-	-	82.7	85.7	93.9	-	-
	S/T	0.67	0.56	0.39	-	-	0.70	0.58	0.40	-	-	0.72	0.60	0.41	-	-	0.74	0.62	0.43	-	-	0.77	0.64	0.44	-	-	0.77	0.65	0.45	-	-
	Delta T	19	16	12	-	-	19	16	12	-	-	19	16	12	-	-	19	17	13	-	-	19	16	12	-	-	18	15	12	-	-
	kW	8.20	8.36	8.60	-	-	8.78	8.96	9.23	-	-	9.30	9.49	9.78	-	-	9.76	9.96	10.27	-	-	10.14	10.36	10.68	-	-	10.48	10.70	11.04	-	-
	Amps	21.5	22.0	22.6	-	-	23.1	23.6	24.3	-	-	24.9	25.5	26.3	-	-	26.5	27.1	27.9	-	-	28.1	28.7	29.6	-	-	29.7	30.3	31.3	-	-
	HI PR	221	238	251	-	-	248	267	282	-	-	282	303	320	-	-	321	345	365	-	-	361	389	410	-	-	399	429	453	-	-
	LO PR	103	109	119	-	-	108	115	126	-	-	113	120	131	-	-	118	126	137	-	-	124	132	144	-	-	128	136	149	-	-
	MBh	109.4	113.4	124.2	-	-	106.9	110.8	121.4	-	-	104.3	108.1	118.5	-	-	101.8	105.5	115.6	-	-	96.7	100.2	109.8	-	-	89.6	92.8	101.7	-	-
	S/T	0.70	0.58	0.40	-	-	0.72	0.60	0.42	-	-	0.74	0.62	0.43	-	-	0.77	0.64	0.44	-	-	0.80	0.66	0.46	-	-	0.80	0.67	0.46	-	-
	Delta T	18	16	12	-	-	19	16	12	-	-	19	16	12	-	-	19	16	12	-	-	19	16	12	-	-	17	15	11	-	-
kW	8.38	8.55	8.80	-	-	8.99	9.17	9.45	-	-	9.52	9.72	10.02	-	-	9.99	10.20	10.52	-	-	10.39	10.61	10.95	-	-	10.74	10.97	11.31	-	-	
Amps	22.0	22.5	23.2	-	-	23.7	24.2	24.9	-	-	25.6	26.1	27.0	-	-	27.2	27.8	28.7	-	-	28.8	29.5	30.4	-	-	30.4	31.2	32.1	-	-	
HI PR	228	245	259	-	-	255	275	290	-	-	291	313	330	-	-	331	356	376	-	-	372	401	423	-	-	411	443	467	-	-	
LO PR	106	112	123	-	-	112	119	130	-	-	116	123	135	-	-	122	130	142	-	-	128	136	148	-	-	132	141	153	-	-	
MBh	112.7	116.8	128.0	-	-	110.1	114.1	125.0	-	-	107.4	111.4	122.0	-	-	104.8	108.7	119.0	-	-	99.6	103.2	113.1	-	-	92.2	95.6	104.8	-	-	
S/T	0.73	0.61	0.42	-	-	0.76	0.63	0.44	-	-	0.78	0.65	0.45	-	-	0.80	0.67	0.46	-	-	0.83	0.70	0.48	-	-	0.84	0.70	0.49	-	-	
Delta T	18	15	12	-	-	18	16	12	-	-	18	16	12	-	-	18	16	12	-	-	18	15	12	-	-	17	14	11	-	-	
kW	8.45	8.61	8.87	-	-	9.06	9.24	9.52	-	-	9.60	9.79	10.10	-	-	10.07	10.28	10.60	-	-	10.47	10.70	11.03	-	-	10.82	11.05	11.41	-	-	
Amps	22.2	22.7	23.4	-	-	23.9	24.4	25.2	-	-	25.8	26.4	27.2	-	-	27.4	28.1	28.9	-	-	29.1	29.8	30.7	-	-	30.7	31.4	32.4	-	-	
HI PR	230	247	261	-	-	258	278	293	-	-	293	316	333	-	-	334	360	380	-	-	376	405	427	-	-	415	447	472	-	-	
LO PR	107	114	124	-	-	113	120	131	-	-	117	125	136	-	-	123	131	143	-	-	129	137	150	-	-	133	142	155	-	-	

75	MBh	102.7	105.7	114.4	122.8	-	100.3	103.3	111.8	120.0	-	97.9	100.8	109.1	117.1	-	95.5	98.4	106.5	114.3	-	90.8	93.4	101.1	108.6	-	84.1	86.6	93.7	100.6	-
	S/T	0.77	0.68	0.52	0.33	-	0.79	0.71	0.54	0.35	-	0.81	0.73	0.55	0.35	-	0.84	0.75	0.57	0.37	-	0.87	0.78	0.59	0.38	-	0.88	0.79	0.59	0.38	-
	Delta T	22	20	16	11	-	22	20	17	11	-	22	20	17	11	-	22	20	16	11	-	22	20	16	11	-	20	19	15	11	-
	kW	8.26	8.42	8.67	8.93	-	8.85	9.03	9.30	9.59	-	9.37	9.57	9.86	10.17	-	9.83	10.04	10.35	10.68	-	10.23	10.44	10.77	11.11	-	10.56	10.79	11.13	11.49	-
	Amps	21.7	22.1	22.8	23.6	-	23.3	23.8	24.5	25.4	-	25.1	25.7	26.5	27.4	-	26.7	27.3	28.2	29.2	-	28.3	29.0	29.9	31.0	-	29.9	30.6	31.6	32.7	-
	HI PR	223	240	254	264	-	250	269	284	297	-	285	306	324	337	-	324	349	368	384	-	365	393	415	432	-	403	434	458	478	-
	LO PR	104	110	120	128	-	109	116	127	135	-	114	121	132	141	-	119	127	139	148	-	125	133	145	155	-	129	138	150	160	-
	MBh	111.3	114.6	124.0	133.1	-	108.7	111.9	121.1	130.0	-	106.1	109.2	118.2	126.9	-	103.5	106.6	115.3	123.8	-	98.3	101.2	109.6	117.6	-	91.1	93.8	101.5	108.9	-
	S/T	0.79	0.71	0.54	0.35	-	0.82	0.74	0.56	0.36	-	0.84	0.75	0.57	0.37	-	0.87	0.78	0.59	0.38	-	0.90	0.81	0.61	0.39	-	0.91	0.82	0.62	0.40	-
	Delta T	21	20	16	11	-	22	20	16	11	-	22	20	16	11	-	22	20	16	11	-	21	20	16	11	-	20	18	15	10	-
kW	8.45	8.62	8.87	9.14	-	9.06	9.24	9.52	9.82	-	9.60	9.80	10.10	10.42	-	10.07	10.28	10.60	10.94	-	10.48	10.70	11.04	11.39	-	10.82	11.06	11.41	11.78	-	
Amps	22.2	22.7	23.4	24.2	-	23.9	24.4	25.2	26.0	-	25.8	26.4	27.2	28.1	-	27.4	28.1	28.9	30.0	-	29.1	29.8	30.7	31.8	-	30.7	31.4	32.4	33.6	-	
HI PR	230	247	261	273	-	258	278	293	306	-	293	316	334	348	-	334	360	380	396	-	376	405	427	446	-	416	447	472	492	-	
LO PR	107	114	124	132	-	113	120	131	140	-	117	125	136	145	-	123	131	143	152	-	129	137	150	160	-	133	142	155	165	-	
MBh	114.6	118.0	127.7	137.1	-	111.9	115.2	124.7	133.9	-	109.3	112.5	121.8	130.7	-	106.6	109.8	118.8	127.5	-	101.3	104.3	112.9	121.1	-	93.8	96.6	104.5	112.2	-	
S/T	0.83	0.74	0.56	0.36	-	0.86	0.77	0.58	0.38	-	0.88	0.79	0.60	0.39	-	0.91	0.82	0.62	0.40	-	0.95	0.85	0.64	0.41	-	0.96	0.85	0.65	0.42	-	
Delta T	21	19	16	11	-	21	19	16	11	-	21	19	16	11	-	21	19	16	11	-	21	19	16	11	-	19	18	15	10	-	
kW	8.51	8.68	8.94	9.21	-	9.13	9.31	9.60	9.89	-	9.67	9.87	10.18	10.50	-	10.15	10.36	10.69	11.03	-	10.56	10.78	11.12	11.48	-	10.91	11.15	11.50	11.87	-	
Amps	22.4	22.9	23.6	24.4	-	24.1	24.6	25.4	26.3	-	26.0	26.6	27.4	28.4	-	27.7	28.3	29.2	30.2	-	29.3	30.0	31.0	32.1	-	31.0	31.7	32.7	33.9	-	
HI PR	232	250	264	275	-	261	280	296	309	-	296	319	337	351	-	338	363	384	400	-	380	409	432	450	-	420	452	477	497	-	
LO PR	108	115	125	133	-	114	121	132	141	-	118	126	138	146	-	124	132	144	154	-	130	139	151	161	-	135	143	157	167	-	

IDB: Entering Indoor Dry Bulb Temperature
 High and low pressures are measured at the liquid and suction service valves.
 Shaded area reflects ACCA (TVA) conditions
 kW= Total system power
 Amps = outdoor unit amps (comp. - fan)

IDB	AIRFLOW	OUTDOOR AMBIENT TEMPERATURE												ENTERING INDOOR WET BULB TEMPERATURE											
		65°F				75°F				85°F				95°F				105°F				115°F			
		59	63	67	71	59	63	67	71	59	63	67	71	59	63	67	71	59	63	67	71	59	63	67	71
80	MBh	104.5	106.8	114.1	122.0	102.1	104.3	111.5	119.1	99.7	101.8	108.8	116.3	97.2	99.4	106.1	113.5	92.4	94.4	100.8	107.8	85.6	87.4	93.4	99.9
	S/T	0.84	0.79	0.64	0.48	0.87	0.82	0.66	0.50	0.89	0.84	0.68	0.51	0.92	0.86	0.70	0.53	0.96	0.90	0.73	0.55	0.96	0.90	0.74	0.55
	Delta T	24	23	20	16	24	23	20	16	25	24	20	16	25	24	21	16	24	23	20	16	23	22	19	15
	kW	8.32	8.49	8.74	9.00	8.92	9.10	9.37	9.66	9.45	9.64	9.94	10.25	9.91	10.12	10.43	10.77	10.31	10.53	10.86	11.20	10.65	10.88	11.22	11.58
	Amps	21.9	22.3	23.0	23.8	23.5	24.0	24.7	25.6	25.3	25.9	26.7	27.7	27.0	27.6	28.4	29.4	28.6	29.2	30.2	31.2	30.2	30.9	31.9	33.0
	HI PR	225	242	256	267	253	272	287	300	288	309	327	341	328	352	372	388	368	397	419	437	407	438	463	483
	LO PR	105	111	121	129	111	118	128	137	115	122	133	142	121	128	140	149	126	135	147	156	131	139	152	162
	MBh	113.2	115.7	123.6	132.2	110.6	113.0	120.8	129.1	108.0	110.3	117.9	126.0	105.3	107.6	115.0	122.9	100.1	102.3	109.3	116.8	92.7	94.7	101.2	108.2
	S/T	0.87	0.82	0.66	0.50	0.90	0.85	0.69	0.51	0.93	0.87	0.71	0.53	0.96	0.90	0.73	0.54	0.99	0.93	0.76	0.57	1.00	0.94	0.76	0.57
	Delta T	24	23	20	16	24	23	20	16	24	23	20	16	24	23	20	16	24	23	20	16	22	21	19	15
kW	8.51	8.68	8.94	9.21	9.13	9.31	9.60	9.89	9.67	9.87	10.18	10.50	10.15	10.37	10.69	11.03	10.56	10.78	11.13	11.48	10.91	11.15	11.50	11.88	
Amps	22.4	22.9	23.6	24.4	24.1	24.6	25.4	26.3	26.0	26.6	27.4	28.4	27.7	28.3	29.2	30.2	29.3	30.0	31.0	32.1	31.0	31.7	32.7	33.9	
HI PR	232	250	264	275	261	281	296	309	296	319	337	351	338	363	384	400	380	409	432	450	420	452	477	497	
LO PR	108	115	125	133	114	121	132	141	118	126	138	146	124	132	144	154	130	139	151	161	135	143	157	167	
MBh	116.6	119.2	127.3	136.1	113.9	116.4	124.4	133.0	111.2	113.6	121.4	129.8	108.5	110.9	118.5	126.6	103.1	105.3	112.5	120.3	95.5	97.6	104.2	111.4	
S/T	0.91	0.86	0.70	0.52	0.95	0.89	0.72	0.54	0.97	0.91	0.74	0.55	1.00	0.94	0.76	0.57	1.00	1.00	0.79	0.59	1.00	1.00	0.80	0.60	
Delta T	23	22	19	15	23	22	19	15	23	22	19	15	23	22	20	16	22	23	19	15	21	21	18	14	
kW	8.58	8.75	9.01	9.28	9.20	9.39	9.67	9.97	9.75	9.95	10.26	10.58	10.23	10.45	10.78	11.12	10.64	10.87	11.22	11.58	11.00	11.24	11.59	11.97	
Amps	22.6	23.1	23.8	24.6	24.3	24.8	25.6	26.5	26.2	26.8	27.7	28.6	27.9	28.6	29.5	30.5	29.6	30.3	31.2	32.4	31.3	32.0	33.0	34.2	
HI PR	235	252	267	278	263	283	299	312	299	322	340	355	341	367	388	404	384	413	436	455	424	456	482	502	
LO PR	109	116	126	135	115	122	134	142	120	127	139	148	126	134	146	155	132	140	153	163	136	145	158	168	

85	MBh	106.3	108.4	113.5	121.1	103.9	105.9	110.9	118.3	101.4	103.4	108.3	115.5	98.9	100.8	105.6	112.7	94.0	95.8	100.3	107.0	87.1	88.7	92.9	99.2
	S/T	0.88	0.85	0.77	0.62	0.91	0.88	0.79	0.64	0.94	0.90	0.81	0.66	0.97	0.93	0.84	0.68	1.00	0.97	0.87	0.71	1.00	0.97	0.88	0.71
	Delta T	26	25	24	21	26	26	24	21	26	26	24	21	26	26	24	21	26	26	24	21	24	24	23	20
	kW	8.38	8.55	8.80	9.07	8.99	9.17	9.45	9.74	9.52	9.72	10.01	10.33	9.99	10.20	10.52	10.85	10.39	10.61	10.94	11.30	10.73	10.96	11.31	11.68
	Amps	22.0	22.5	23.2	24.0	23.7	24.2	24.9	25.8	25.6	26.1	26.9	27.9	27.2	27.8	28.7	29.7	28.8	29.5	30.4	31.5	30.4	31.1	32.1	33.3
	HI PR	228	245	259	270	255	275	290	303	290	313	330	344	331	356	376	392	372	400	423	441	411	442	467	487
	LO PR	106	112	123	131	112	119	130	138	116	123	135	143	122	130	142	151	128	136	148	158	132	141	153	163
	MBh	115.2	117.4	123.0	131.2	112.5	114.7	120.1	128.2	109.9	112.0	117.3	125.1	107.2	109.3	114.4	122.1	101.8	103.8	108.7	116.0	94.3	96.1	100.7	107.4
	S/T	0.91	0.88	0.79	0.64	0.95	0.91	0.82	0.67	0.97	0.94	0.84	0.69	1.00	0.97	0.87	0.71	1.00	1.00	0.90	0.73	1.00	1.00	0.91	0.74
	Delta T	25	25	24	20	26	25	24	21	26	25	24	21	26	26	24	21	25	25	24	21	23	23	22	19
kW	8.58	8.75	9.01	9.28	9.20	9.39	9.67	9.97	9.75	9.95	10.26	10.58	10.23	10.45	10.78	11.12	10.64	10.87	11.22	11.58	11.00	11.24	11.59	11.97	
Amps	22.6	23.1	23.8	24.6	24.3	24.8	25.6	26.5	26.2	26.8	27.7	28.6	27.9	28.6	29.5	30.5	29.6	30.3	31.2	32.4	31.3	32.0	33.0	34.2	
HI PR	235	252	267	278	263	283	299	312	299	322	340	355	341	367	388	404	384	413	436	455	424	456	482	502	
LO PR	109	116	126	135	115	122	134	142	120	127	139	148	126	134	146	155	132	140	153	163	136	145	158	168	
MBh	118.7	121.0	126.7	135.2	115.9	118.2	123.8	132.0	113.2	115.3	120.8	128.9	110.4	112.5	117.9	125.7	104.9	106.9	112.0	119.4	97.1	99.0	103.7	110.6	
S/T	0.96	0.92	0.83	0.68	0.99	0.96	0.86	0.70	1.00	0.98	0.89	0.72	1.00	1.00	0.91	0.74	1.00	1.00	0.95	0.77	1.00	1.00	0.96	0.78	
Delta T	24	24	23	20	25	24	23	20	24	24	23	20	24	24	23	20	23	23	23	20	21	21	21	19	
kW	8.64	8.81	9.08	9.35	9.27	9.46	9.75	10.05	9.82	10.03	10.34	10.67	10.31	10.53	10.86	11.21	10.73	10.96	11.31	11.67	11.09	11.33	11.69	12.07	
Amps	22.8	23.3	24.0	24.8	24.5	25.0	25.8	26.7	26.5	27.1	27.9	28.9	28.2	28.8	29.7	30.8	29.9	30.6	31.5	32.7	31.5	32.3	33.3	34.5	
HI PR	237	255	269	281	266	286	302	315	302	325	344	358	344	371	391	408	387	417	440	459	428	461	487	507	
LO PR	110	117	128	136	116	124	135	144	121	128	140	149	127	135	147	157	133	141	154	164	138	146	160	170	

IDB: Entering Indoor Dry Bulb Temperature
 High and low pressures are measured at the liquid and suction service valves.
 Shaded area reflects AHRI conditions
 kW= Total system power
 Amps = outdoor unit amps (comp. + fan)

EXPANDED COOLING DATA — DZ11TA1204A*/DAT1204A*

IDB	AIRFLOW	OUTDOOR AMBIENT TEMPERATURE																							
		65°F				75°F				85°F				95°F				105°F				115°F			
		59	63	67	71	59	63	67	71	59	63	67	71	59	63	67	71	59	63	67	71	59	63	67	71
70	MBh	101.0	104.7	114.7	-	98.6	102.2	112.0	-	96.3	99.8	109.3	-	93.9	97.4	106.7	-	89.2	92.5	101.3	-	82.7	85.7	93.9	-
	S/T	0.67	0.56	0.39	-	0.70	0.58	0.40	-	0.72	0.60	0.41	-	0.74	0.62	0.43	-	0.77	0.64	0.44	-	0.77	0.65	0.45	-
	Delta T	19	16	12	-	19	16	12	-	19	16	12	-	19	17	13	-	19	16	12	-	18	15	12	-
	kW	8.20	8.36	8.60	-	8.78	8.96	9.23	-	9.30	9.49	9.78	-	9.76	9.96	10.27	-	10.14	10.36	10.68	-	10.48	10.70	11.04	-
	Amps	10.7	11.0	11.3	-	11.5	11.8	12.2	-	12.5	12.7	13.1	-	13.3	13.6	14.0	-	14.0	14.4	14.8	-	14.8	15.2	15.6	-
	HI PR	221	238	251	-	248	267	282	-	282	303	320	-	321	345	365	-	361	389	410	-	399	429	453	-
	LO PR	103	109	119	-	108	115	126	-	113	120	131	-	118	126	137	-	124	132	144	-	128	136	149	-
	MBh	109.4	113.4	124.2	-	106.9	110.8	121.4	-	104.3	108.1	118.5	-	101.8	105.5	115.6	-	96.7	100.2	109.8	-	89.6	92.8	101.7	-
	S/T	0.70	0.58	0.40	-	0.72	0.60	0.42	-	0.74	0.62	0.43	-	0.77	0.64	0.44	-	0.80	0.66	0.46	-	0.80	0.67	0.46	-
	Delta T	18	16	12	-	19	16	12	-	19	16	12	-	19	16	12	-	19	16	12	-	17	15	11	-
kW	8.38	8.55	8.80	-	8.99	9.17	9.45	-	9.52	9.72	10.02	-	9.99	10.20	10.52	-	10.39	10.61	10.95	-	10.74	10.97	11.31	-	
Amps	11.0	11.3	11.6	-	11.8	12.1	12.5	-	12.8	13.1	13.5	-	13.6	13.9	14.3	-	14.4	14.8	15.2	-	15.2	15.6	16.1	-	
HI PR	228	245	259	-	255	275	290	-	291	313	330	-	331	356	376	-	372	401	423	-	411	443	467	-	
LO PR	106	112	123	-	112	119	130	-	116	123	135	-	122	130	142	-	128	136	148	-	132	141	153	-	
MBh	112.7	116.8	128.0	-	110.1	114.1	125.0	-	107.4	111.4	122.0	-	104.8	108.7	119.0	-	99.6	103.2	113.1	-	92.2	95.6	104.8	-	
S/T	0.73	0.61	0.42	-	0.76	0.63	0.44	-	0.78	0.65	0.45	-	0.80	0.67	0.46	-	0.83	0.70	0.48	-	0.84	0.70	0.49	-	
Delta T	18	15	12	-	18	16	12	-	18	16	12	-	18	16	12	-	18	15	12	-	17	14	11	-	
kW	8.45	8.61	8.87	-	9.06	9.24	9.52	-	9.60	9.79	10.10	-	10.07	10.28	10.60	-	10.47	10.70	11.03	-	10.82	11.05	11.41	-	
Amps	11.1	11.4	11.7	-	11.9	12.2	12.6	-	12.9	13.2	13.6	-	13.7	14.0	14.5	-	14.5	14.9	15.3	-	15.4	15.7	16.2	-	
HI PR	230	247	261	-	258	278	293	-	293	316	333	-	334	360	380	-	376	405	427	-	415	447	472	-	
LO PR	107	114	124	-	113	120	131	-	117	125	136	-	123	131	143	-	129	137	150	-	133	142	155	-	

75	MBh	102.7	105.7	114.4	122.8	100.3	103.3	111.8	120.0	97.9	100.8	109.1	117.1	95.5	98.4	106.5	114.3	90.8	93.4	101.1	108.6	84.1	86.6	93.7	100.6
	S/T	0.77	0.68	0.52	0.33	0.79	0.71	0.54	0.35	0.81	0.73	0.55	0.35	0.84	0.75	0.57	0.37	0.87	0.78	0.59	0.38	0.88	0.79	0.59	0.38
	Delta T	22	20	16	11	22	20	17	11	22	20	17	11	22	20	17	12	22	20	16	11	20	19	15	11
	kW	8.26	8.42	8.67	8.93	8.85	9.03	9.30	9.59	9.37	9.57	9.86	10.17	9.83	10.04	10.35	10.68	10.23	10.44	10.77	11.11	10.56	10.79	11.13	11.49
	Amps	10.8	11.1	11.4	11.8	11.6	11.9	12.3	12.7	12.6	12.8	13.2	13.7	13.4	13.7	14.1	14.6	14.2	14.5	14.9	15.5	15.0	15.3	15.8	16.4
	HI PR	223	240	254	264	250	269	284	297	285	306	324	337	324	349	368	384	365	393	415	432	403	434	458	478
	LO PR	104	110	120	128	109	116	127	135	114	121	132	141	119	127	139	148	125	133	145	155	129	138	150	160
	MBh	111.3	114.6	124.0	133.1	108.7	111.9	121.1	130.0	106.1	109.2	118.2	126.9	103.5	106.6	115.3	123.8	98.3	101.2	109.6	117.6	91.1	93.8	101.5	108.9
	S/T	0.79	0.71	0.54	0.35	0.82	0.74	0.56	0.36	0.84	0.75	0.57	0.37	0.87	0.78	0.59	0.38	0.90	0.81	0.61	0.39	0.91	0.82	0.62	0.40
	Delta T	21	20	16	11	22	20	16	11	22	20	16	11	22	20	16	11	21	20	16	11	20	18	15	10
kW	8.45	8.62	8.87	9.14	9.06	9.24	9.52	9.82	9.60	9.80	10.10	10.42	10.07	10.28	10.60	10.94	10.48	10.70	11.04	11.39	10.82	11.06	11.41	11.78	
Amps	11.1	11.4	11.7	12.1	11.9	12.2	12.6	13.0	12.9	13.2	13.6	14.1	13.7	14.0	14.5	15.0	14.5	14.9	15.4	15.9	15.4	15.7	16.2	16.8	
HI PR	230	247	261	273	258	278	293	306	293	316	334	348	334	360	380	396	376	405	427	446	416	447	472	492	
LO PR	107	114	124	132	113	120	131	140	117	125	136	145	123	131	143	152	129	137	150	160	133	142	155	165	
MBh	114.6	118.0	127.7	137.1	111.9	115.2	124.7	133.9	109.3	112.5	121.8	130.7	106.6	109.8	118.8	127.5	101.3	104.3	112.9	121.1	93.8	96.6	104.5	112.2	
S/T	0.83	0.74	0.56	0.36	0.86	0.77	0.58	0.38	0.88	0.79	0.60	0.39	0.91	0.82	0.62	0.40	0.95	0.85	0.64	0.41	0.96	0.85	0.65	0.42	
Delta T	21	19	16	11	21	19	16	11	21	19	16	11	21	19	16	11	21	19	16	11	19	18	15	10	
kW	8.51	8.68	8.94	9.21	9.13	9.31	9.60	9.89	9.67	9.87	10.18	10.50	10.15	10.36	10.69	11.03	10.56	10.78	11.12	11.48	10.91	11.15	11.50	11.87	
Amps	11.2	11.5	11.8	12.2	12.0	12.3	12.7	13.1	13.0	13.3	13.7	14.2	13.8	14.2	14.6	15.1	14.7	15.0	15.5	16.0	15.5	15.9	16.4	17.0	
HI PR	232	250	264	275	261	280	296	309	296	319	337	351	338	363	384	400	380	409	432	450	420	452	477	497	
LO PR	108	115	125	133	114	121	132	141	118	126	138	146	124	132	144	154	130	139	151	161	135	143	157	167	

IDB: Entering Indoor Dry Bulb Temperature
 High and low pressures are measured at the liquid and suction service valves.
 Shaded area reflects ACCA (TVA) conditions
 kW= Total system power
 Amps = outdoor unit amps (comp. - fan)

IDB	AIRFLOW	OUTDOOR AMBIENT TEMPERATURE												ENTERING INDOOR WET BULB TEMPERATURE											
		65°F				75°F				85°F				95°F				105°F				115°F			
		59	63	67	71	59	63	67	71	59	63	67	71	59	63	67	71	59	63	67	71	59	63	67	71
80	MBh	104.5	106.8	114.1	122.0	102.1	104.3	111.5	119.1	99.7	101.8	108.8	116.3	97.2	99.4	106.1	113.5	92.4	94.4	100.8	107.8	85.6	87.4	93.4	99.9
	S/T	0.84	0.79	0.64	0.48	0.87	0.82	0.66	0.50	0.89	0.84	0.68	0.51	0.92	0.86	0.70	0.53	0.96	0.90	0.73	0.55	0.96	0.90	0.74	0.55
	Delta T	24	23	20	16	24	23	20	16	25	24	20	16	25	24	21	16	24	23	20	16	23	22	19	15
	kW	8.32	8.49	8.74	9.09	8.92	9.10	9.37	9.66	9.45	9.64	9.94	10.25	9.91	10.12	10.43	10.77	10.31	10.53	10.86	11.20	10.65	10.88	11.22	11.58
	Amps	10.9	11.2	11.5	11.9	11.7	12.0	12.4	12.8	12.7	13.0	13.4	13.8	13.5	13.8	14.2	14.7	14.3	14.6	15.1	15.6	15.1	15.4	15.9	16.5
	HI PR	225	242	256	267	253	272	287	300	288	309	327	341	328	352	372	388	368	397	419	437	407	438	463	483
	LO PR	105	111	121	129	111	118	128	137	115	122	133	142	121	128	140	149	126	135	147	156	131	139	152	162
	MBh	113.2	115.7	123.6	132.2	110.6	113.0	120.8	129.1	108.0	110.3	117.9	126.0	105.3	107.6	115.0	122.9	100.1	102.3	109.3	116.8	92.7	94.7	101.2	108.2
	S/T	0.87	0.82	0.66	0.50	0.90	0.85	0.69	0.51	0.93	0.87	0.71	0.53	0.96	0.90	0.73	0.54	0.99	0.93	0.76	0.57	1.00	0.94	0.76	0.57
	Delta T	24	23	20	16	24	23	20	16	24	23	20	16	24	23	20	16	24	23	20	16	22	21	19	15
kW	8.51	8.68	8.94	9.21	9.13	9.31	9.60	9.89	9.67	9.87	10.18	10.50	10.15	10.37	10.69	11.03	10.56	10.78	11.13	11.48	10.91	11.15	11.50	11.88	
Amps	11.2	11.5	11.8	12.2	12.0	12.3	12.7	13.1	13.0	13.3	13.7	14.2	13.8	14.2	14.6	15.1	14.7	15.0	15.5	16.0	15.5	15.9	16.4	17.0	
HI PR	232	250	264	275	261	281	296	309	296	319	337	351	338	363	384	400	380	409	432	450	420	452	477	497	
LO PR	108	115	125	133	114	121	132	141	118	126	138	146	124	132	144	154	130	139	151	161	135	143	157	167	
MBh	116.6	119.2	127.3	136.1	113.9	116.4	124.4	133.0	111.2	113.6	121.4	129.8	108.5	110.9	118.5	126.6	103.1	105.3	112.5	120.3	95.5	97.6	104.2	111.4	
S/T	0.91	0.86	0.70	0.52	0.95	0.89	0.72	0.54	0.97	0.91	0.74	0.55	1.00	0.94	0.76	0.57	1.00	1.00	0.79	0.59	1.00	1.00	0.80	0.60	
Delta T	23	22	19	15	23	22	19	15	23	22	19	15	23	22	20	16	22	23	19	15	21	21	18	14	
kW	8.58	8.75	9.01	9.28	9.20	9.39	9.67	9.97	9.75	9.95	10.26	10.58	10.23	10.45	10.78	11.12	10.64	10.87	11.22	11.58	11.00	11.24	11.59	11.97	
Amps	11.3	11.5	11.9	12.3	12.1	12.4	12.8	13.2	13.1	13.4	13.8	14.3	14.0	14.3	14.7	15.3	14.8	15.1	15.6	16.2	15.6	16.0	16.5	17.1	
HI PR	235	252	267	278	263	283	299	312	299	322	340	355	341	367	388	404	384	413	436	455	424	456	482	502	
LO PR	109	116	126	135	115	122	134	142	120	127	139	148	126	134	146	155	132	140	153	163	136	145	158	168	
85	MBh	106.3	108.4	113.5	121.1	103.9	105.9	110.9	118.3	101.4	103.4	108.3	115.5	98.9	100.8	105.6	112.7	94.0	95.8	100.3	107.0	87.1	88.7	92.9	99.2
	S/T	0.88	0.85	0.77	0.62	0.91	0.88	0.79	0.64	0.94	0.90	0.81	0.66	0.97	0.93	0.84	0.68	1.00	0.97	0.87	0.71	1.00	0.97	0.88	0.71
	Delta T	26	25	24	21	26	26	24	21	26	26	24	21	26	26	24	21	26	26	24	21	24	24	23	20
	kW	8.38	8.55	8.80	9.07	8.99	9.17	9.45	9.74	9.52	9.72	10.01	10.33	9.99	10.20	10.52	10.85	10.39	10.61	10.94	11.30	10.73	10.96	11.31	11.68
	Amps	11.0	11.3	11.6	12.0	11.8	12.1	12.5	12.9	12.8	13.1	13.5	13.9	13.6	13.9	14.3	14.9	14.4	14.7	15.2	15.8	15.2	15.6	16.1	16.6
	HI PR	228	245	259	270	255	275	290	303	290	313	330	344	331	356	376	392	372	400	423	441	411	442	467	487
	LO PR	106	112	123	131	112	119	130	138	116	123	135	143	122	130	142	151	128	136	148	158	132	141	153	163
	MBh	115.2	117.4	123.0	131.2	112.5	114.7	120.1	128.2	109.9	112.0	117.3	125.1	107.2	109.3	114.4	122.1	101.8	103.8	108.7	116.0	94.3	96.1	100.7	107.4
	S/T	0.91	0.88	0.79	0.64	0.95	0.91	0.82	0.67	0.97	0.94	0.84	0.69	1.00	0.97	0.87	0.71	1.00	1.00	0.90	0.73	1.00	1.00	0.91	0.74
	Delta T	25	25	24	20	26	25	24	21	26	25	24	21	26	26	24	21	25	25	24	21	23	23	22	19
kW	8.58	8.75	9.01	9.28	9.20	9.39	9.67	9.97	9.75	9.95	10.26	10.58	10.23	10.45	10.78	11.12	10.64	10.87	11.22	11.58	11.00	11.24	11.59	11.97	
Amps	11.3	11.5	11.9	12.3	12.1	12.4	12.8	13.2	13.1	13.4	13.8	14.3	14.0	14.3	14.7	15.3	14.8	15.1	15.6	16.2	15.6	16.0	16.5	17.1	
HI PR	235	252	267	278	263	283	299	312	299	322	340	355	341	367	388	404	384	413	436	455	424	456	482	502	
LO PR	109	116	126	135	115	122	134	142	120	127	139	148	126	134	146	155	132	140	153	163	136	145	158	168	
MBh	118.7	121.0	126.7	135.2	115.9	118.2	123.8	132.0	113.2	115.3	120.8	128.9	110.4	112.5	117.9	125.7	104.9	106.9	112.0	119.4	97.1	99.0	103.7	110.6	
S/T	0.96	0.92	0.83	0.68	0.99	0.96	0.86	0.70	1.00	0.98	0.89	0.72	1.00	1.00	0.91	0.74	1.00	1.00	0.95	0.77	1.00	1.00	0.96	0.78	
Delta T	24	24	23	20	25	24	23	20	24	24	23	20	24	24	23	20	23	23	23	20	21	21	21	19	
kW	8.64	8.81	9.08	9.35	9.27	9.46	9.75	10.05	9.82	10.03	10.34	10.67	10.31	10.53	10.86	11.21	10.73	10.96	11.31	11.67	11.09	11.33	11.69	12.07	
Amps	11.4	11.6	12.0	12.4	12.2	12.5	12.9	13.4	13.2	13.5	13.9	14.4	14.1	14.4	14.9	15.4	14.9	15.3	15.8	16.3	15.8	16.1	16.7	17.3	
HI PR	237	255	269	281	266	286	302	315	302	325	344	358	344	371	391	408	387	417	440	459	428	461	487	507	
LO PR	110	117	128	136	116	124	135	144	121	128	140	149	127	135	147	157	133	141	154	164	138	146	160	170	

IDB: Entering Indoor Dry Bulb Temperature
 High and low pressures are measured at the liquid and suction service valves.
 Shaded area reflects AHRI conditions
 kW= Total system power
 Amps = outdoor unit amps (comp. + fan)

EXPANDED HEATING DATA

DZ11TA0903A* / DAT0903A*

	OUTDOOR AMBIENT TEMPERATURE																	
	65	60	55	50	47	45	40	35	30	25	20	17	15	10	5	0	-5	-10
MBh	103.1	97.6	91.8	85.9	82.0	79.5	73.8	68.1	68.4	63.2	58.2	54.9	52.9	47.5	42.1	36.7	31.3	25.7
T/R	31.8	30.1	28.3	26.5	25.3	24.5	22.8	21.0	21.1	19.5	18.0	17.0	16.3	14.6	13.0	11.3	9.7	7.9
kW	7.82	7.68	7.53	7.39	7.30	7.24	7.10	6.96	7.13	6.98	6.83	6.74	6.68	6.52	6.37	6.22	6.06	5.91
Amps	26.2	24.4	23.0	21.7	21.0	20.7	19.6	18.7	18.0	17.3	16.6	16.2	16.1	15.4	14.5	13.8	12.9	11.8
COP	3.86	3.72	3.57	3.40	3.29	3.21	3.04	2.86	2.81	2.65	2.49	2.39	2.32	2.13	1.93	1.73	1.51	1.27
EER	13.2	12.7	12.2	11.6	11.2	11.0	10.4	9.8	9.6	9.1	8.5	8.2	7.9	7.3	6.6	5.9	5.2	4.3
HI PR	371	355	341	327	319	313	301	289	276	264	253	247	243	234	225	216	208	201
LO PR	127	118	111	101	96	92	85	76	68	61	54	50	48	41	35	30	26	20

High pressure is measured at the suction service valve (the larger valve).

Amps = Outdoor unit amps (comp.+fan)

Low pressure is measured at the gauge port connection.

kW = Total system power

Calculations are based on nominal CFM and 70 °F indoor dry bulb.

DZ11TA0904A* / DAT0904A*

	OUTDOOR AMBIENT TEMPERATURE																	
	65	60	55	50	47	45	40	35	30	25	20	17	15	10	5	0	-5	-10
MBh	103.1	97.6	91.8	85.9	82.0	79.5	73.8	68.1	68.4	63.2	58.2	54.9	52.9	47.5	42.1	36.7	31.3	25.7
T/R	31.8	30.1	28.3	26.5	25.3	24.5	22.8	21.0	21.1	19.5	18.0	17.0	16.3	14.6	13.0	11.3	9.7	7.9
kW	7.82	7.68	7.53	7.39	7.30	7.24	7.10	6.96	7.13	6.98	6.83	6.74	6.68	6.52	6.37	6.22	6.06	5.91
Amps	13.1	12.2	11.5	10.9	10.5	10.3	9.8	9.4	9.0	8.7	8.3	8.1	8.0	7.7	7.2	6.9	6.4	5.9
COP	3.86	3.72	3.57	3.40	3.29	3.21	3.04	2.86	2.81	2.65	2.49	2.39	2.32	2.13	1.93	1.73	1.51	1.27
EER	13.2	12.7	12.2	11.6	11.2	11.0	10.4	9.8	9.6	9.1	8.5	8.2	7.9	7.3	6.6	5.9	5.2	4.3
HI PR	371	355	341	327	319	313	301	289	276	264	253	247	243	234	225	216	208	201
LO PR	127	118	111	101	96	92	85	76	68	61	54	50	48	41	35	30	26	20

High pressure is measured at the suction service valve (the larger valve).

Amps = Outdoor unit amps (comp.+fan)

Low pressure is measured at the gauge port connection.

kW = Total system power

Calculations are based on nominal CFM and 70 °F indoor dry bulb.

DZ11TA1203A* / DAT1203A*

	OUTDOOR AMBIENT TEMPERATURE																	
	65	60	55	50	47	45	40	35	30	25	20	17	15	10	5	0	-5	-10
MBh	125.7	119.0	112.0	104.7	100.0	96.9	90.0	83.0	85.6	79.0	72.8	68.7	66.2	59.4	52.6	45.9	39.2	32.1
T/R	30.6	29.0	27.3	25.5	24.4	23.6	21.9	20.2	20.9	19.3	17.7	16.7	16.1	14.5	12.8	11.2	9.5	7.8
kW	9.50	9.33	9.15	8.98	8.88	8.80	8.64	8.46	8.61	8.43	8.25	8.14	8.07	7.88	7.70	7.52	7.34	7.16
Amps	31.6	29.4	27.7	26.1	25.2	24.8	23.5	22.4	21.5	20.6	19.7	19.3	19.1	18.2	17.1	16.2	15.1	13.8
COP	3.87	3.73	3.58	3.41	3.30	3.22	3.05	2.87	2.91	2.74	2.58	2.47	2.40	2.20	2.00	1.79	1.56	1.31
EER	13.2	12.8	12.2	11.7	11.3	11.0	10.4	9.8	9.9	9.4	8.8	8.4	8.2	7.5	6.8	6.1	5.3	4.5
HI PR	370	354	341	326	318	312	300	288	276	263	253	247	242	233	224	215	207	200
LO PR	124	115	107	99	93	90	82	73	66	59	52	48	47	39	34	29	25	20

High pressure is measured at the suction service valve (the larger valve).

Amps = Outdoor unit amps (comp.+fan)

Low pressure is measured at the gauge port connection.

kW = Total system power

Calculations are based on nominal CFM and 70 °F indoor dry bulb.

DZ11TA1204A* / DAT1204A*

	OUTDOOR AMBIENT TEMPERATURE																	
	65	60	55	50	47	45	40	35	30	25	20	17	15	10	5	0	-5	-10
MBh	125.7	119.0	112.0	104.7	100.0	96.9	90.0	83.0	85.6	79.0	72.8	68.7	66.2	59.4	52.6	45.9	39.2	32.1
T/R	30.6	29.0	27.3	25.5	24.4	23.6	21.9	20.2	20.9	19.3	17.7	16.7	16.1	14.5	12.8	11.2	9.5	7.8
kW	9.50	9.33	9.15	8.98	8.88	8.80	8.64	8.46	8.61	8.43	8.25	8.14	8.07	7.88	7.70	7.52	7.34	7.16
Amps	15.8	14.7	13.8	13.1	12.6	12.4	11.7	11.2	10.7	10.3	9.9	9.6	9.5	9.1	8.5	8.1	7.6	6.9
COP	3.87	3.73	3.58	3.41	3.30	3.22	3.05	2.87	2.91	2.74	2.58	2.47	2.40	2.20	2.00	1.79	1.56	1.31
EER	13.2	12.8	12.2	11.7	11.3	11.0	10.4	9.8	9.9	9.4	8.8	8.4	8.2	7.5	6.8	6.1	5.3	4.5
HI PR	370	354	341	326	318	312	300	288	276	263	253	247	242	233	224	215	207	200
LO PR	124	115	107	99	93	90	82	73	66	59	52	48	47	39	34	29	25	20

High pressure is measured at the suction service valve (the larger valve).

Amps = Outdoor unit amps (comp.+fan)

Low pressure is measured at the gauge port connection.

kW = Total system power

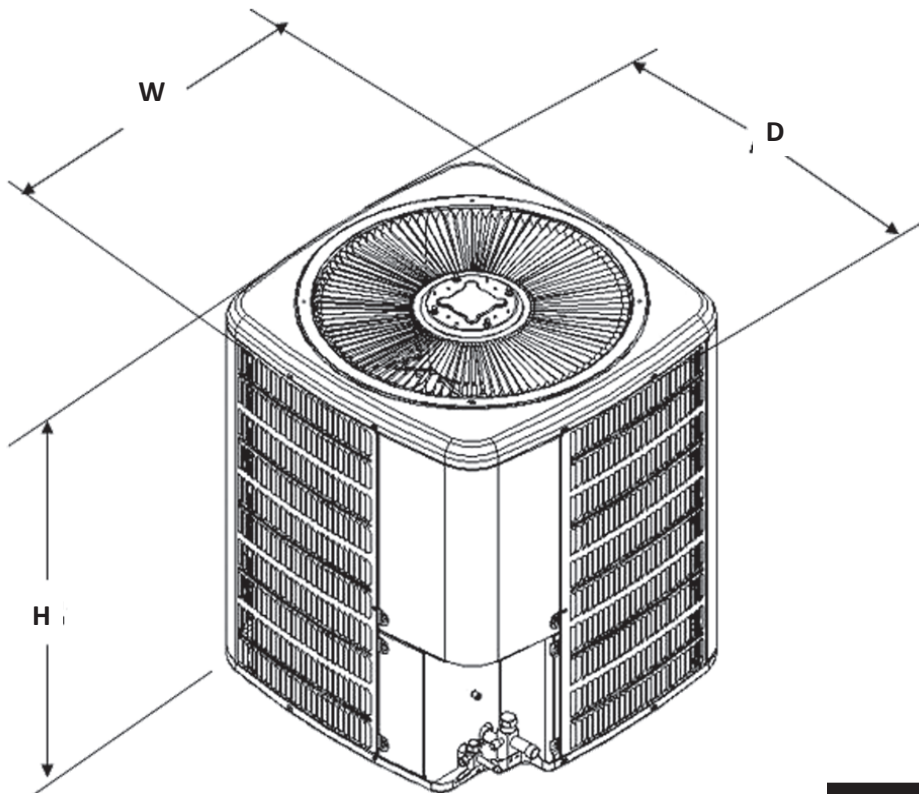
Calculations are based on nominal CFM and 70 °F indoor dry bulb.

OUTDOOR UNIT	INDOOR UNIT	COOLING CAPACITY ¹ (BTU/H)							AHRI #
		TOTAL	EER ²	IEER ³	HEATING (47F)	COP (47F)	HEATING (17F)	COP (17F)	
DZ11TA0903A*	DAT0903A*	93,000	11.0	13.0	82,000	3.3	52,000	2.25	201990206
DZ11TA0904A*	DAT0904A*	93,000	11.0	13.0	82,000	3.3	52,000	2.25	201990207
DZ11TA1203A*	DAT1203A*	115,000	11.0	13.5	100,000	3.3	60,000	2.25	202054197
DZ11TA1204A*	DAT1204A*	115,000	11.0	13.5	100,000	3.3	60,000	2.25	202054199

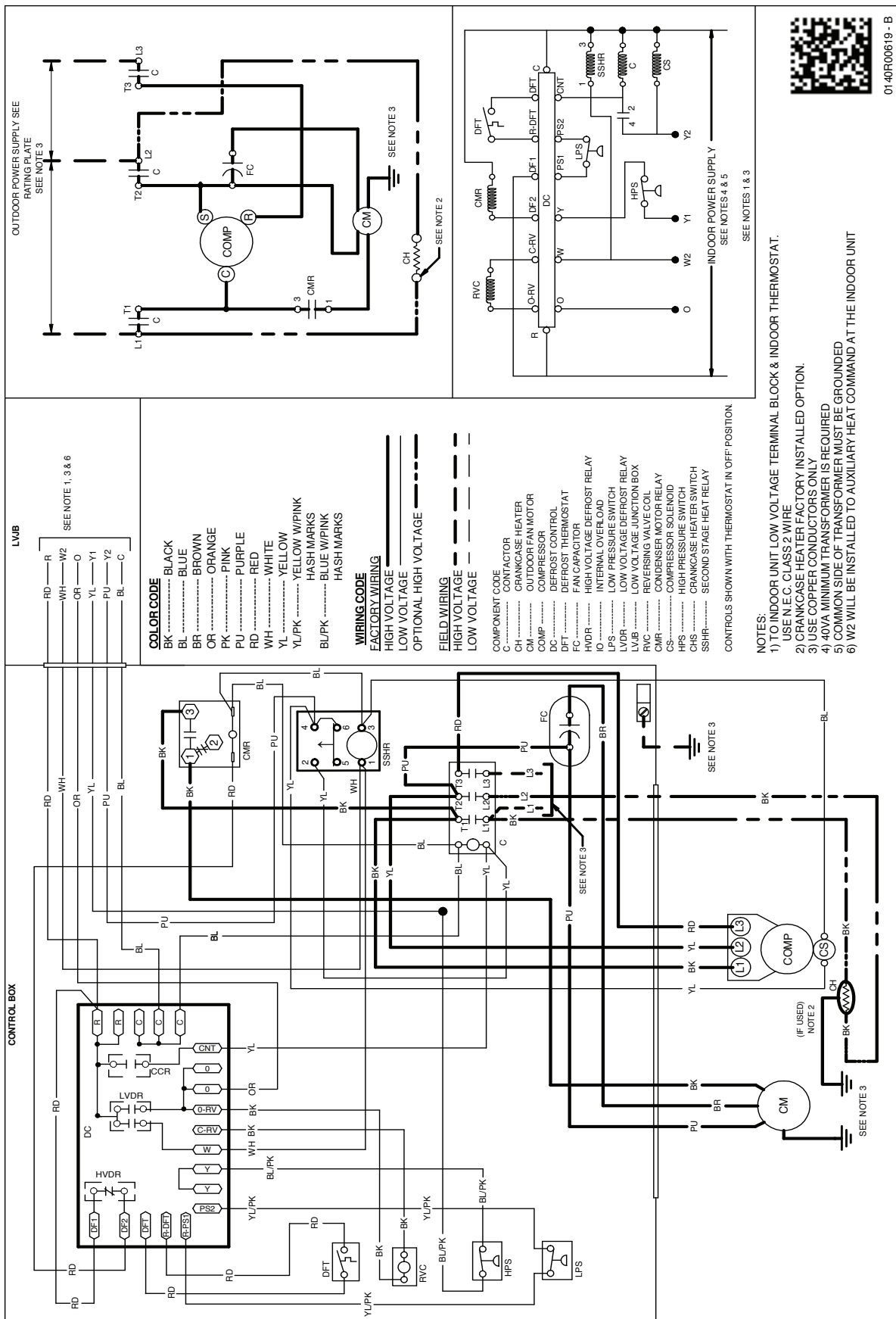
¹ BTU/h

² Energy Efficiency Ratio @ 80 °F/67 °F Inside - 95 °F

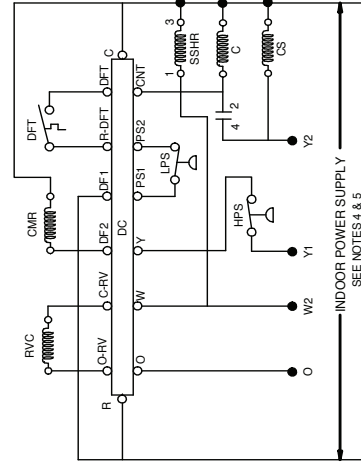
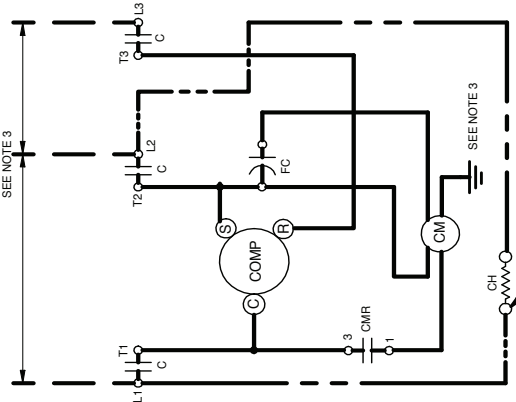
³ Integrated Energy Efficiency Ratio @ 80 °F/67 °F Inside - 95 °F



MODEL	DIMENSIONS		
	W"	D"	H"
DZ11TA0903A*	35½	35½	41½
DZ11TA0904A*	35½	35½	41½
DZ11TA1203A*	35½"	35½"	41½"
DZ11TA1204A*	35½"	35½"	41½"



OUTDOOR POWER SUPPLY SEE RATING PLATE SEE NOTE 3



01-40R00619 - B

Wiring is subject to change. Always refer to the wiring diagram on the unit for the most up-to-date wiring.



WARNING

High Voltage: Disconnect all power before servicing or installing this unit. Multiple power sources may be present. Failure to do so may cause property damage, personal injury, or death.

ITEM #	DESCRIPTION
ABK-20	Anchor Bracket Kit [°]
AFE18-60A	All-fuel Kit
FSK01A ¹	Freeze Protection Kit
LAKT01	Low Ambient Kit
OT18-60A ²	Outdoor Thermostat with Lockout Stat

[°] Contains 20 brackets; four brackets needed to anchor unit to pad

¹ Installed on indoor coil

² Required for heat pump applications where ambient temperatures fall below 0 °F with 50% or higher relative humidity.